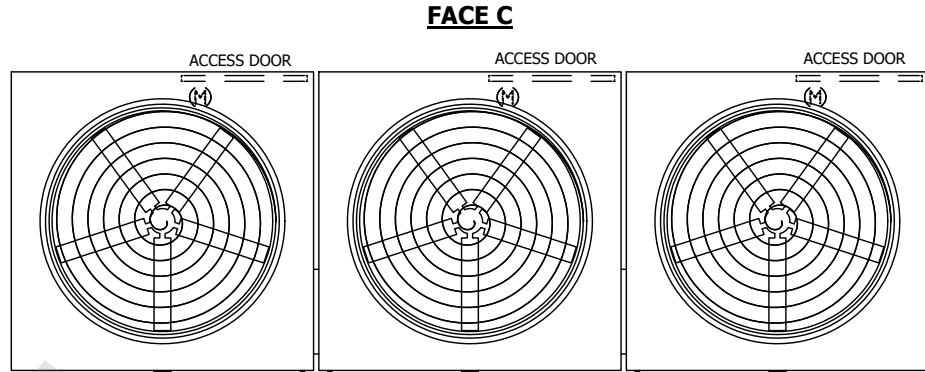


UNIT		EVAPCO, INC. 		DWG. # T3123C36-DRF-ST		REV. -
MODEL # AT 312-3K36				SERIAL #		DATE 10/8/2024

- NOTES:**
- (M)- FAN MOTOR LOCATION
 - HEAVIEST SECTION IS UPPER SECTION
 - MPT DENOTES MALE PIPE THREAD
FPT DENOTES FEMALE PIPE THREAD
BFW DENOTES BEVELED FOR WELDING
GVD DENOTES GROOVED
FLG DENOTES FLANGE
 - +UNIT WEIGHT DOES NOT INCLUDE ACCESSORIES (SEE ACCESSORY DRAWINGS)
 - MAKE-UP WATER PRESSURE
20 psi MIN [137 kPa], 50 psi MAX [344 kPa]
 - 3/4" [19MM] DIA. MOUNTING HOLES. REFER TO RECOMENDED STEEL SUPPORT DRAWING.
 - DIMENSIONS LISTED AS FOLLOWS:
ENGLISH FT-IN
[METRIC] mm

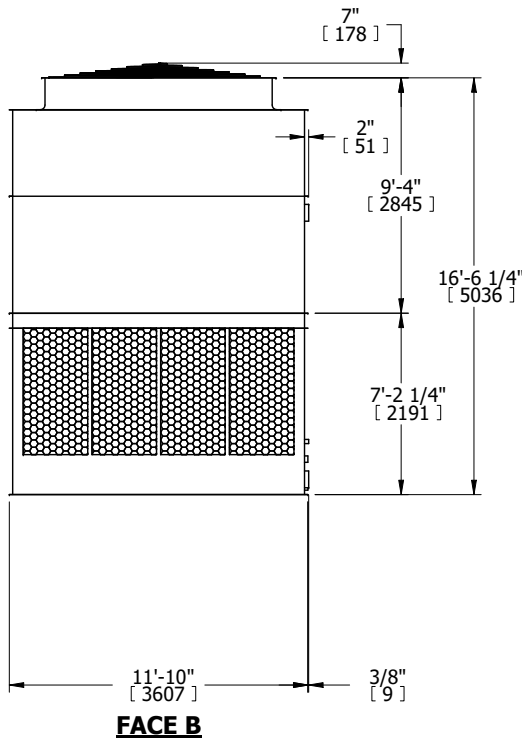


FACE B
PLAN VIEW

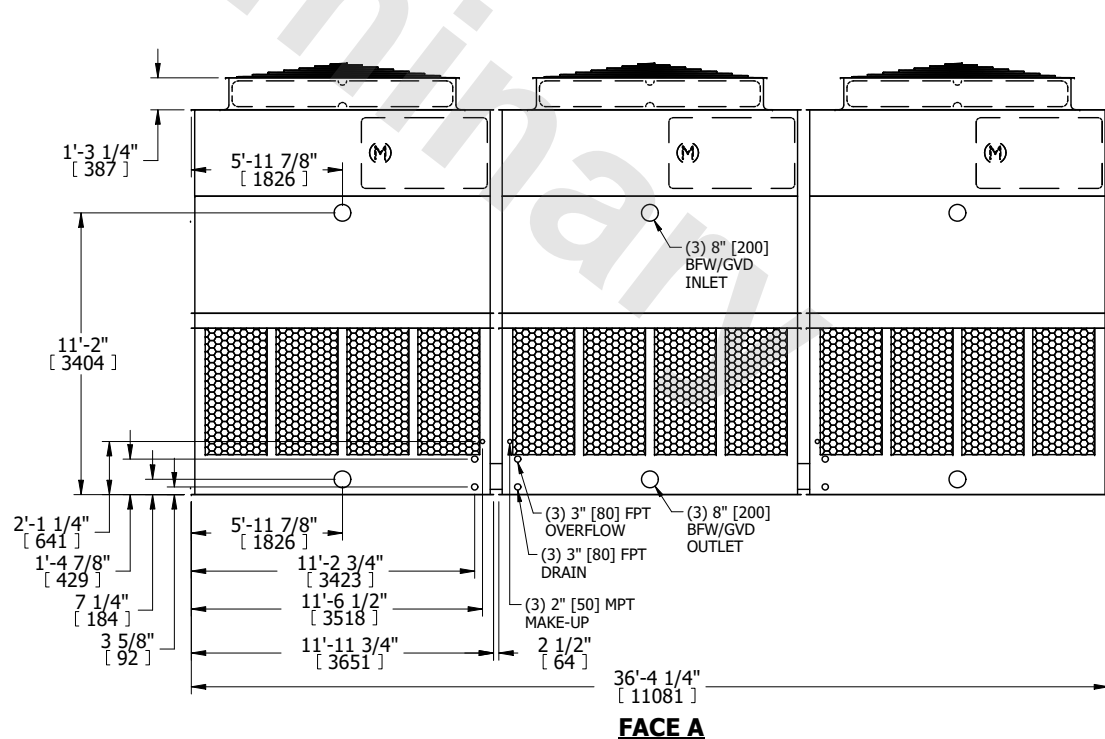
FACE C

FACE D

FACE A



FACE B



FACE A

SHIPPING WEIGHT 24810 lbs+ [11255] kg+		OPERATING WEIGHT 43440 lbs+ [19705] kg+		HEAVIEST SECTION WEIGHT 5590 lbs+ [2540] kg+		NO. OF SHIPPING SECTIONS 6		DRAWN BY: BLL	
---	--	--	--	---	--	-----------------------------------	--	----------------------	--