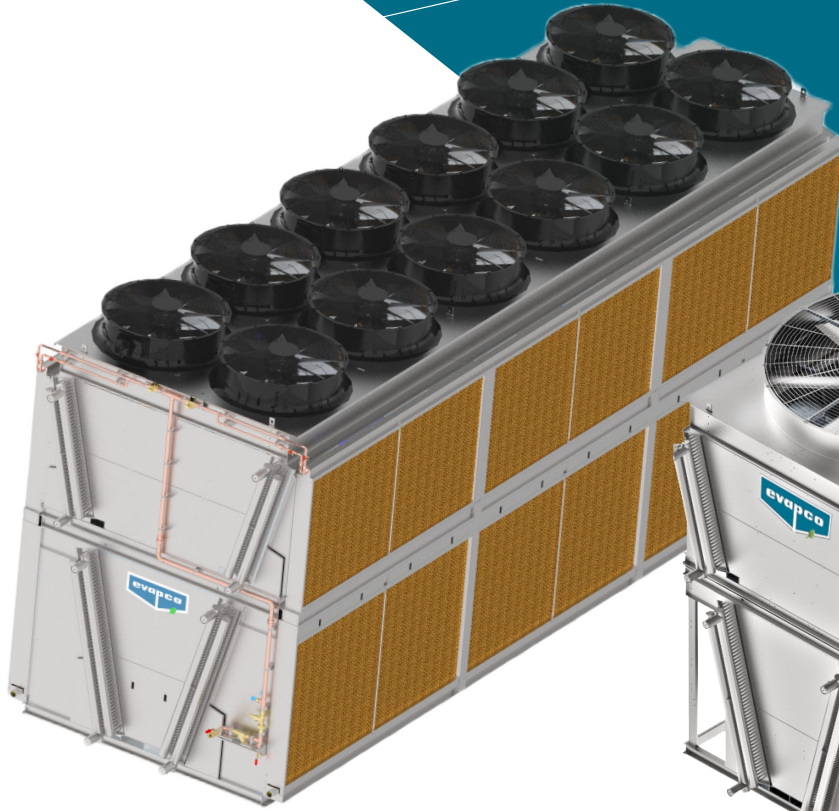
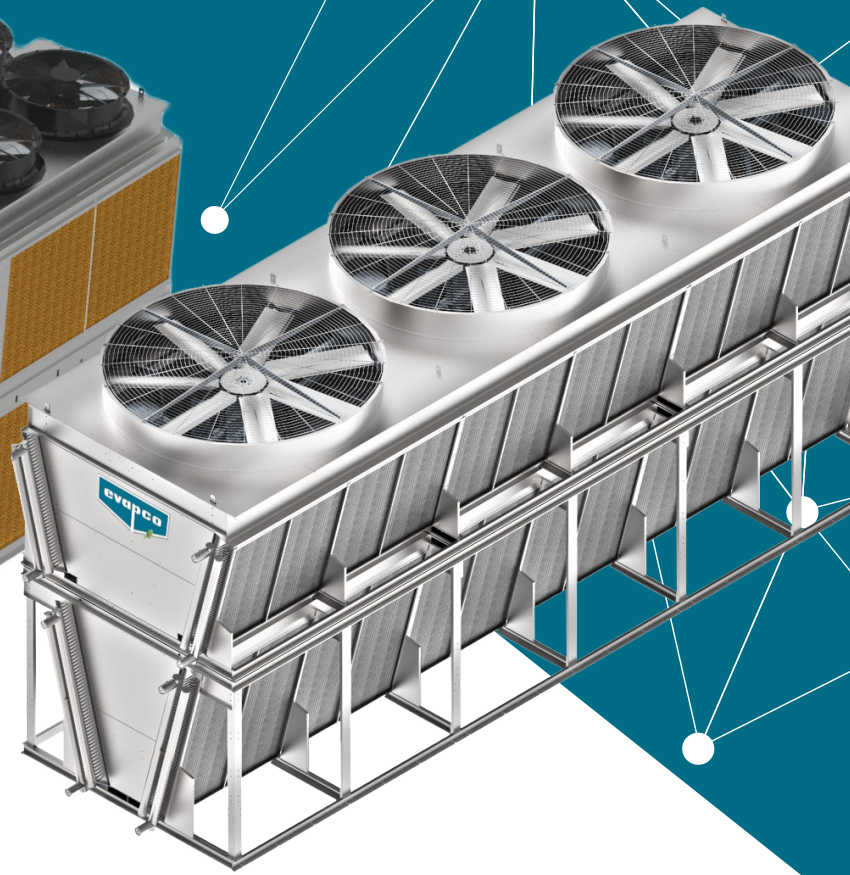


evapco® for LIFE



EAW-DA



EAW-DD



Air™ Series

DOUBLE STACK

Dry & Adiabatic Coolers



EAW-Models

† Mark owned by the Cooling Technology Institute

EVAPCO is more than a name. We are the global innovator in heat transfer solutions for the commercial HVAC, industrial refrigeration, power and industrial process markets. We pledge to make everyday life easier, more comfortable, more reliable, and more sustainable for people everywhere.



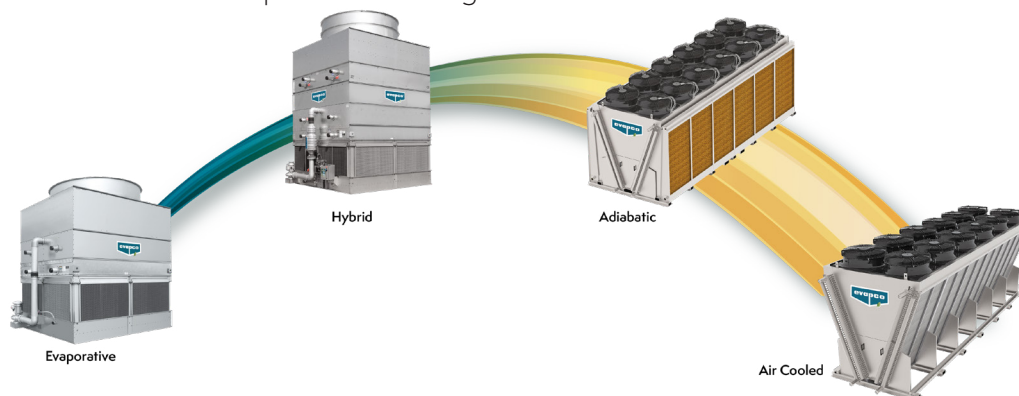
SUSTAINABILITY FIRST

The eco-Air Double Stack is EVAPCO's latest addition to the eco-Air Series of Dry & Adiabatic coolers. The eco-Air Series of products is designed to address growing market concerns of sustainability, efficiency, and water conservation. In recent years, factors such as rising water costs, water shortages, and code changes have driven conscientious building owners and engineers to reduce water consumption on cooling applications across all industries.

Anticipating these changing market trends, EVAPCO has introduced various innovations over the years. Our team currently holds over 200 active patents around the world, with many beginning in our state-of-the-art Wilson E. Bradley Research and Development Center.

Key advancements in water and energy efficiency include the evaporative eco-ATWB hybrid coolers with finned coils and high dry-bulb switchover temperatures and the EVAPCO Water Saver™, a capacitive deionization system designed to increase water treatment cycles of concentration and significantly reduce water consumption.

EVAPCO introduced the eco-Air Series of Dry & Adiabatic coolers to maximize water efficiency. The eco-Air Double Stack cooler represents a continuing progression in our full spectrum of global heat transfer solutions, as well as a consistent commitment to the environment. Visit evapco.com to learn more about our Global Sustainability Directive and how it shapes our offerings.





CERTIFIED PERFORMANCE

EVAPCO's eco-Air Series of Single Stack & Double Stack dry coolers is now CTI certified for thermal performance per Standard 201. The Cooling Technology Institute (CTI) is an independent third-party organization who validates the thermal performance of evaporative and dry heat rejection equipment. CTI Standard 201 was expanded to include dry coolers in 2022. CTI certification provides credibility to EVAPCO's published thermal performance ratings, ensuring every customer has peace of mind when purchasing EVAPCO products.

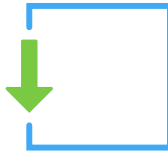


BENEFITS

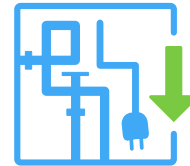
Any application requiring a large amount of heat rejection and a significant reduction in water usage can benefit from eco-Air Double Stack dry coolers. These applications will also gain the advantage of a simpler system set-up with a minimized amount of units, electrical connections, and piping.



MAXIMIZE DRY OPERATION & WATER EFFICIENCY



REDUCE INSTALLED FOOTPRINT



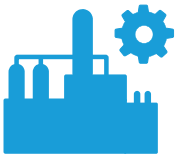
REDUCE FIELD PIPING & WIRING

When selected with EVAPCO's adiabatic pad pre-cooling system, elevated ambient dry bulb temperatures can be depressed to maintain low leaving fluid temperature set-points. Water utilized by the adiabatic pad pre-cooling system evaporates off the surface of the pad, keeping the finned coil bundles completely dry.

The eco-Air Double Stack coolers are taller and wider than the smaller single stack units, with significantly more dry coil surface area and higher airflow capability to maximize heat rejection for a given footprint.

APPLICATIONS

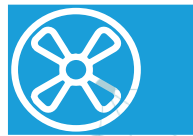
The eco-Air Double Stack product line can be applied to a wide spectrum of applications, especially those with large cooling requirements, where reducing or eliminating water usage is critical.



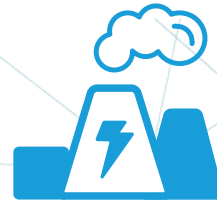
INDUSTRIAL PROCESSES



DATA CENTERS



HVAC



POWER GENERATION



LIQUID IMMERSION COOLING

EVAPCO's sales representatives and engineers have the tools to help you select the right product for your application.

To find out if the eco-Air Double Stack is the right solution for your project, please contact your local EVAPCO sales representative.

eco-Air Series Double Stack Dry & Adiabatic Coolers

The eco-Air Series coolers are designed to address the market need for higher capacity dry coolers with a smaller installed footprint than options currently available in the market. The unit footprint, piping connections, and electrical connections can be halved by stacking one section on top of another to maximize surface area available for cooling, the footprint of a project can be effectively halved, therefore simplifying piping and electrical connections and improving access to optimize layout on large projects requiring multiple units.

EVAPCO's dry coolers and the dry performance of adiabatic coolers is now CTI certified per Standard 201, adding further credibility to EVAPCO's 100% thermal performance guarantee.

Drive System Options

AC/ NEMA

- Premium efficient VFD ready motors
- Aluminum low sound fans as standard
- Belt drive
- Motors are factory wired to UL Type 4X individual fused disconnects
- Speed control by others



EC

- Highly efficient EC motors
- Integrated fan and motor assemblies
- Factory wired by EVAPCO to a UL Type 4 PLC control panel
- Unit can control itself or accept external communication from BMS



Adiabatic Pre-cooling Media

- High efficiency adiabatic pre-cooling pads
- No water treatment required
- No drift
- No recirculation pump required

Adiabatic Water Distribution System

- Copper distribution piping
- Two stage water system for increased water savings
- Pressure gauge
- Water pressure regulator
- Strainer
- Make up connection
- Drain valve



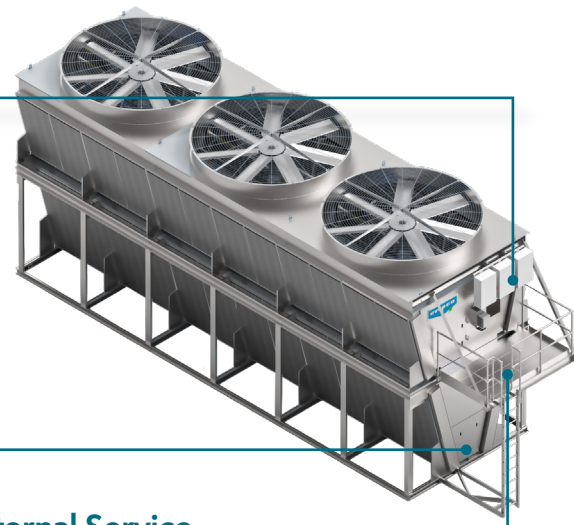
No Plume

- All eco-Air units are 100% plume free



Electrical Termination Enclosures

- UL Type 4X individual disconnects for AC/NEMA motor units
- UL Type 4 PLC panels for EC motor units
- Low voltage terminal box for solenoid valves and vibration switches



Inspection Panel

- Easily removable for interior inspection and access to coils and fan motors

External Service Platform with Ladder

- OSHA compliant
- Optional feature can be added to any installation

Warranty

- 2 years for the complete unit (including drive system and heat exchanger coils)
- 2 years for the adiabatic pads (if equipped)
- 1 year for the electrical components



Structure and Casing

- Type 304L stainless steel as standard for increased corrosion resistance and longevity
- G-235 galvanized steel available as an option

Heat Exchanger Coils

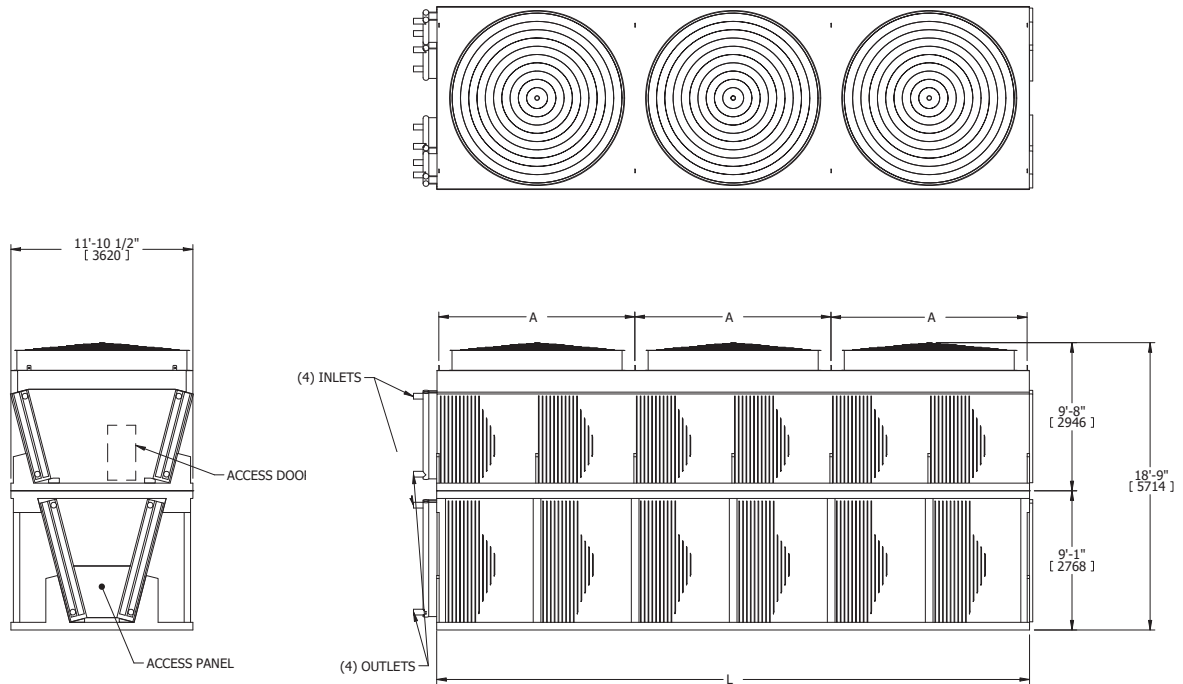
- Type 304L stainless steel coils
- Multiple fin spacings & circuiting configurations
- Heavy gauge aluminum fins
 - Optional upgrade to coated aluminum fins for increased corrosion resistance with no impact on unit performance



† Mark owned by the Cooling Technology Institute

eco-Air Series Dry Cooler
Thermal Performance is CTI certified per STD-201.

AC/NEMA MOTOR UNITS



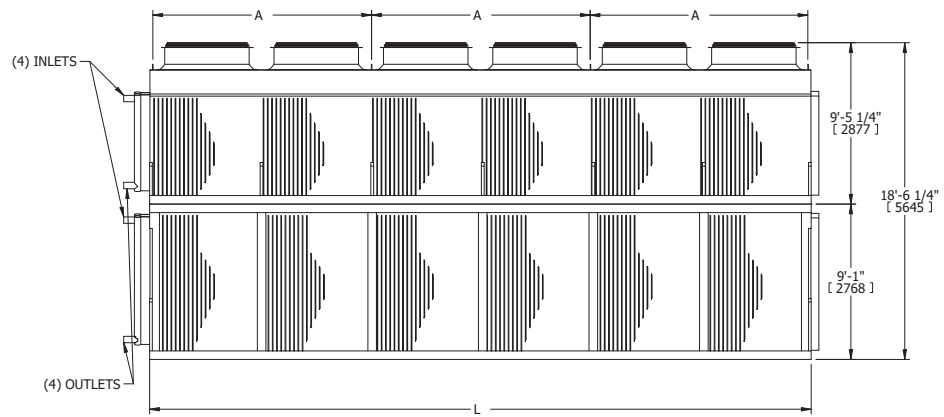
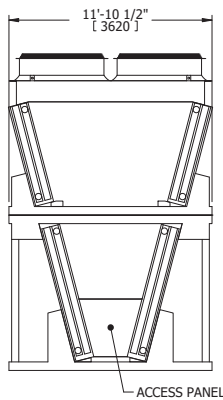
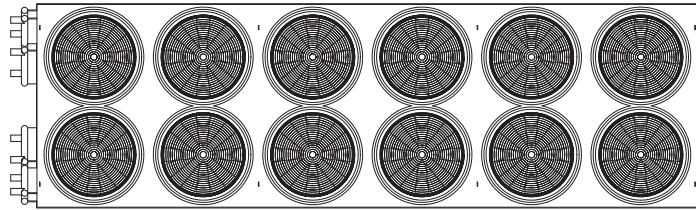
| Model Number | # Fans | Nominal Capacity (MBH)* | HP (kW) | Air Volume (cfm) | Unit Length (L) | Coil Volume (gal.) | Shipping Weight (lbs.) | Operating Weight (lbs.) | Heaviest Section (lbs.) |
|-----------------------|--------|-------------------------|-----------|------------------|-----------------|--------------------|------------------------|-------------------------|-------------------------|
| EAW-DD 33S1XL030M4 | 1 | 2400 | 40 (30) | 187200 | 14' 11-2/5" | 250 | 14260 | 16580 | 7570 |
| EAW-DD 33S1XL037M4 | 1 | 2510 | 50 (37) | 199700 | 14' 11-2/5" | 250 | 14410 | 16730 | 7720 |
| EAW-DD 33S1XL045M4 | 1 | 2640 | 60 (45) | 214700 | 14' 11-2/5" | 250 | 14650 | 16970 | 7960 |
| EAW-DD 33S2XL030M4 | 2 | 4780 | 80 (60) | 374400 | 27' 9" | 452 | 26570 | 30550 | 14280 |
| EAW-DD 33S2XL037M4 | 2 | 5000 | 100 (74) | 399300 | 27' 9" | 452 | 26860 | 30840 | 14570 |
| EAW-DD 33S2XL045M4 | 2 | 5250 | 120 (90) | 429400 | 27' 9" | 452 | 27340 | 31320 | 15050 |
| EAW-DD 33S3XL030M4 | 3 | 7130 | 120 (90) | 561600 | 40' 6-12/25" | 692 | 39160 | 44820 | 21150 |
| EAW-DD 33S3XL037M4 | 3 | 7460 | 150 (111) | 599000 | 40' 6-12/25" | 692 | 39610 | 45260 | 21600 |
| EAW-DD 33S3XL045M4 | 3 | 7830 | 180 (135) | 644200 | 40' 6-12/25" | 692 | 40330 | 45980 | 22320 |

NOTES: Adiabatic Width: 13' 6"
A: Module length is 14' 11-2/5"
Dimensions are subject to change. Do not use for pre-fabrication.

*Nominal capacity based on 110°F-100°F at 92°F entering air dry bulb temperature.

Adiabatic capacity: The adiabatic cooling effect and resulting depressed dry bulb entering the coil depends on the ambient dry bulb and associated relative humidity. Consult your sales representative, EVAPCO marketing, or Spectrum™ selection software for more information.

EC MOTOR UNITS



| Model Number | # Fans | Nominal Capacity (MBH)* | HP (kW) | Air Volume (cfm) | Unit Length (L) | Coil Volume (gal.) | Shipping Weight (lbs.) | Operating Weight (lbs.) | Heaviest Section (lbs.) |
|-----------------------|--------|-------------------------|-----------|------------------|-----------------|--------------------|------------------------|-------------------------|-------------------------|
| EAW-DD 1504XL017G7 | 4 | 2810 | 93 (69) | 236100 | 14' 11-2/5" | 250 | 14270 | 16790 | 7830 |
| EAW-DD 1508XL017G7 | 8 | 5580 | 186 (139) | 472300 | 27' 9" | 452 | 26480 | 31120 | 14800 |
| EAW-DD 1512XL017G7 | 12 | 8330 | 278 (207) | 708400 | 40' 6-12/25" | 692 | 38410 | 45150 | 21640 |

NOTES: Adiabatic Width: 13' 6"
 A: Module length is 14' 11-2/5"
 Dimensions are subject to change. Do not use for pre-fabrication.

*Nominal capacity based on 110°F-100°F at 92°F entering air dry bulb temperature.

Adiabatic capacity: The adiabatic cooling effect and resulting depressed dry bulb entering the coil depends on the ambient dry bulb and associated relative humidity. Consult your sales representative, EVAPCO marketing, or Spectrum™ selection software for more information.



- World Headquarters
Research & Development Center
- EVAPCO Manufacturing Facilities

EVAPCO, Inc. — World Headquarters & Research / Development Center

P.O. Box 1300 • Westminister, MD 21158 USA
410.756.2600 • marketing@evapco.com • evapco.com

North America

- EVAPCO, Inc. World Headquarters**
Westminster, MD USA
410.756.2600
marketing@evapco.com
- EVAPCO East**
Taneytown, MD USA
- EVAPCO East**
Key Building
Taneytown, MD USA
- EVAPCO Midwest**
Greenup, IL USA
217.923.3431
evapcomw@evapcomw.com
- Evapcold Manufacturing**
Greenup, IL USA
- EVAPCO West**
Madera, CA USA
559.673.2207
contact@evapcowest.com
- EVAPCO Alcoil, Inc.**
York, PA USA
717.347.7500
info@evapco-alcoil.com
- EVAPCO Iowa**
Lake View, IA USA
- EVAPCO Iowa**
Sales & Engineering
Medford, MN USA
507.446.8005
evapcomn@evapcomn.com

- EVAPCO LMP ULC**
Laval, Quebec, Canada
450.629.9864
info@evapcolmp.ca
- EVAPCO Select Technologies, Inc.**
Belmont, MI USA
844.785.9506
emarketing@evapcoselect.com
- Refrigeration Vessels & Systems Corporation**
Bryan, TX USA
979.778.0095
rvs@rvscorp.com
- Tower Components, Inc.**
Ramseur, NC USA
336.824.2102
mail@towercomponentsinc.com
- EvapTech, Inc.**
Edwardsville, KS USA
913.322.5165
marketing@evaptech.com
- EVAPCO Dry Cooling, Inc.**
Bridgewater, NJ USA
908.379.2665
info@evapcodc.com
- EVAPCO Dry Cooling, Inc.**
Littleton, CO USA
908.895.3236
info@evapcodc.com

Asia Pacific

- EVAPCO Asia Pacific Headquarters**
Baoshan Industrial Zone Shanghai, P.R. China
(86) 21.6687.7786
marketing@evapcochina.com
- EVAPCO (Shanghai) Refrigeration Equipment Co., Ltd.**
Baoshan Industrial Zone, Shanghai, P.R. China
- EVAPCO (Beijing) Refrigeration Equipment Co., Ltd.**
Huairou District, Beijing, P.R. China
(86) 10.6166.7238
marketing@evapcochina.com
- EVAPCO Air Cooling Systems (Jiaxing) Company, Ltd.**
Jiaxing, Zhejiang, P.R. China
(86) 573.8311.9379
info@evapcochina.com
- EVAPCO Australia (Pty.) Ltd.**
Riverstone, NSW, Australia
(61) 02.9627.3322
sales@evapco.com.au
- EvapTech (Shanghai) Cooling Tower Co., Ltd**
Baoshan District, Shanghai, P.R. China.
Tel: (86) 21.6478.0265
- EvapTech Asia Pacific Sdn. Bhd.**
Puchong, Selangor, Malaysia
(60) 3.8070.7255
marketing-ap@evaptech.com

Europe | Middle East | Africa

- EVAPCO Europe EMENA Headquarters**
Tongeren, Belgium
(32) 12.39.50.29
evapco.europe@evapco.be
- EVAPCO Europe BV**
Tongeren, Belgium
- EVAPCO Europe, S.r.l.**
Milan, Italy
(39) 02.939.9041
evapcoeuropa@evapco.it
- EVAPCO Europe, S.r.l.**
Sondrio, Italy
- EVAPCO Europe A/S**
Aabybro, Denmark
(45) 9824.4999
info@evapco.dk
- EVAPCO Europe GmbH**
Meerbusch, Germany
(49) 2159.69560
info@evapco.de
- EVAPCO Middle East DMCC**
Dubai, United Arab Emirates
(971) 56.991.6584
info@evapco.ae
- Evap Egypt Engineering Industries Co.**
A licensed manufacturer of EVAPCO, Inc.
Nasr City, Cairo, Egypt
(20) 10.054.32.198
evapco@tiba-group.com
- EVAPCO S.A. (Pty.) Ltd.**
A licensed manufacturer of EVAPCO, Inc.
Isando, South Africa
(27) 11.392.6630
evapco@evapco.co.za

South America

- EVAPCO Brasil**
Equipamentos Industriais Ltda.
Indaiatuba, São Paulo, Brazil
(55) 11.5681.2000
vendas@evapco.com.br
- FanTR Technology Resources**
Itu, São Paulo, Brazil
(55) 11.4025.1670
fantr@fantr.com