

EVAPCO, INC.



| | | | | | | |
|------------------------------|------------------------|-----------------|---------------------------|-----------|-------------------|----------|
| UNIT COOLING TOWER | MODEL # AT 420-4K24 | SCALE N.T.S. | DWG. # T36M2448-DRF-ST | REV. - | DATE 10/1/2024 | SERIAL # |
|------------------------------|------------------------|-----------------|---------------------------|-----------|-------------------|----------|

- NOTES:
- (M)- FAN MOTOR LOCATION
 - HEAVIEST SECTION IS UPPER SECTION
 - MPT DENOTES MALE PIPE THREAD
FPT DENOTES FEMALE PIPE THREAD
BFW DENOTES BEVELED FOR WELDING
 - +UNIT WEIGHT DOES NOT INCLUDE ACCESSORIES (SEE ACCESSORY DRAWINGS)
 - MAKE-UP WATER PRESSURE
20 psi MIN [137 kPa], 50 psi MAX [344 kPa]

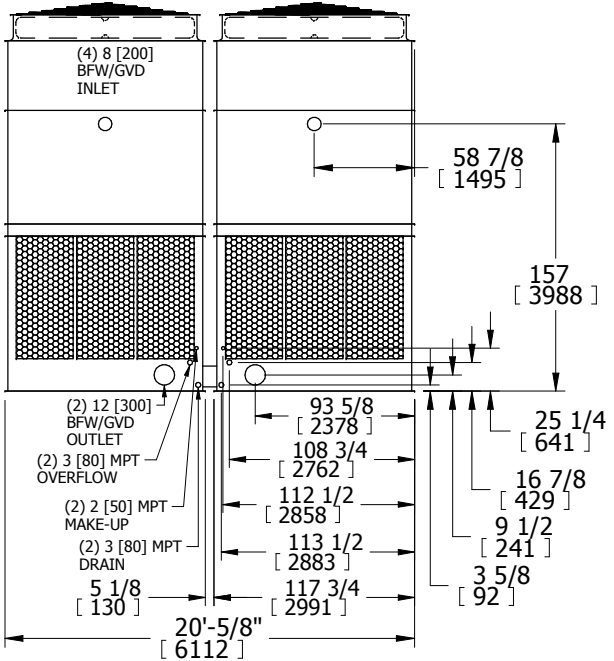
**FACE 2
PLAN VIEW**



FACE 1



FACE 1



FACE 2

| | | | |
|---|--|---|-------------------------------|
| SHIPPING WEIGHT 31180 lbs+ [14143] kg+ | OPERATING WEIGHT 53320 lbs+ [24186] kg+ | HEAVIEST SECTION WEIGHT 5620 lbs+ [2549] kg+ | NO. OF SHIPPING SECTIONS 6 |
|---|--|---|-------------------------------|