

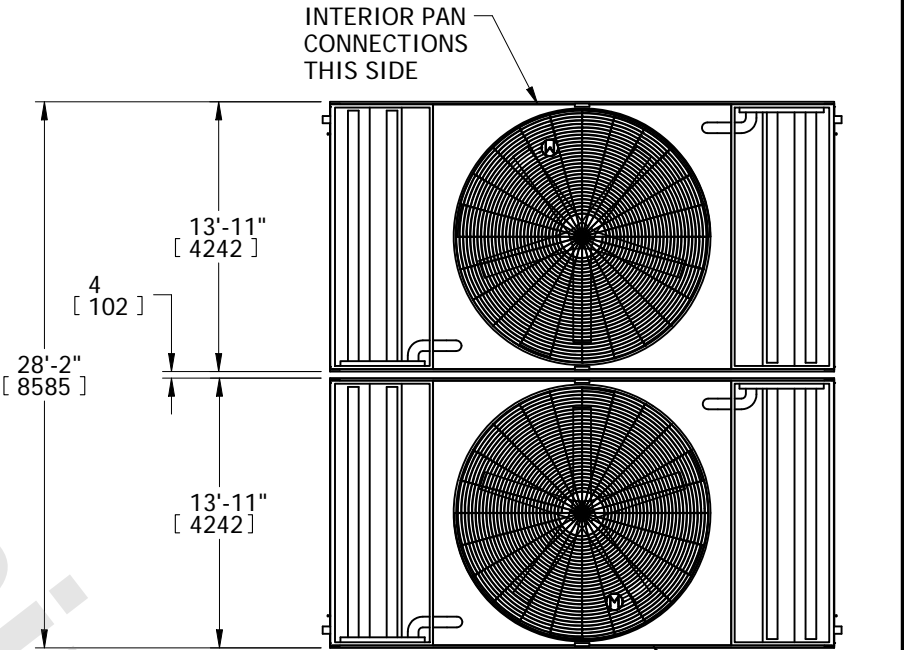
EVAPCO, INC.



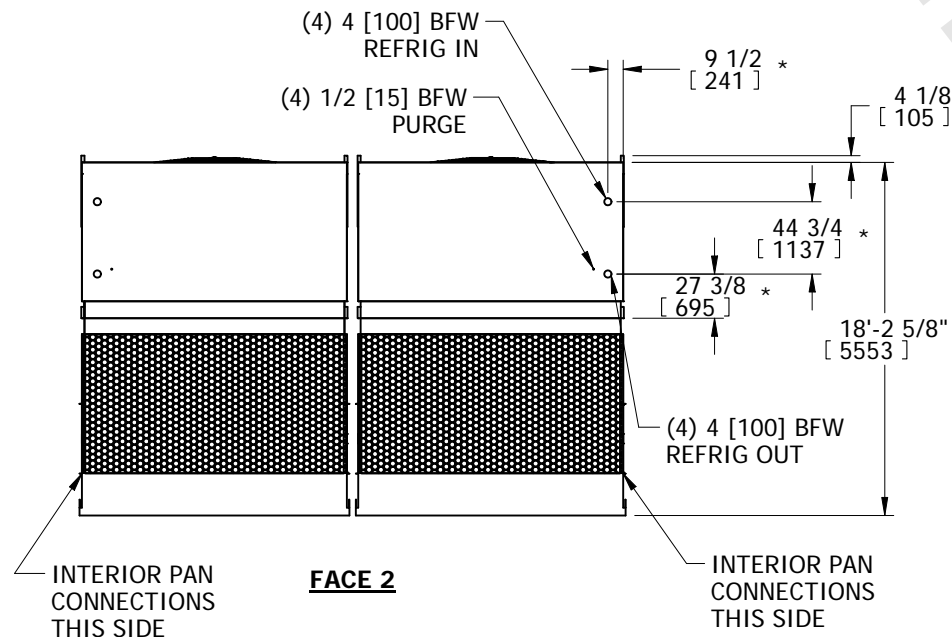
| | | | | | | |
|--------------------------------------|----------------------|-------|----------------------------|-----------|-------------------|----------|
| UNIT EVAPORATIVE CONDENSER | MODEL # PHC-D1648 | SCALE | DWG. # HCD282610-DRC-ST | REV. - | DATE 11/1/2024 | SERIAL # |
|--------------------------------------|----------------------|-------|----------------------------|-----------|-------------------|----------|

- NOTES:
- (M)- FAN MOTOR LOCATION
 - HEAVIEST SECTION IS UPPER SECTION
 - MPT DENOTES MALE PIPE THREAD
FPT DENOTES FEMALE PIPE THREAD
BFW DENOTES BEVELED FOR WELDING
GVD DENOTES GROOVED
 - +UNIT WEIGHT DOES NOT INCLUDE ACCESSORIES (SEE ACCESSORY DRAWINGS)
 - MAKE-UP WATER PRESSURE
20 psi MIN [137 kPa], 50 psi MAX [344 kPa]
 - 3/4" DIA. MOUNTING HOLES. REFER TO RECOMMENDED STEEL SUPPORT DRAWING.
 - *- APPROXIMATE DIMENSIONS DO NOT USE FOR PRE-FABRICATION OF CONNECTION PIPING.
 - DIMENSIONS LISTED AS FOLLOWS: ENGLISH IN [METRIC] [mm]

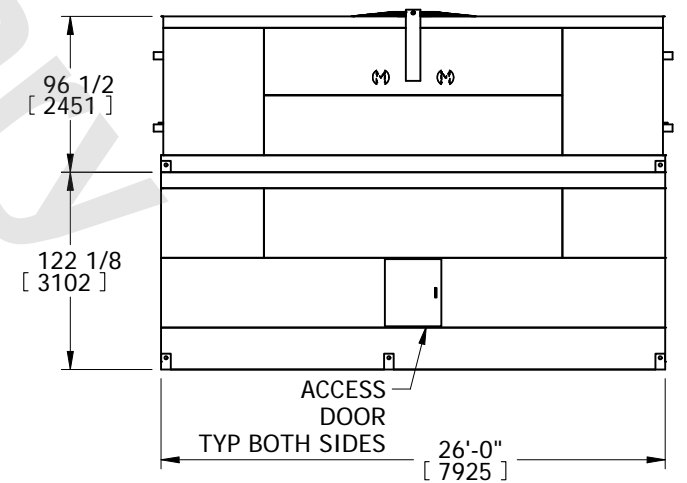
**FACE 2
PLAN VIEW**



FACE 1
INTERIOR PAN CONNECTIONS THIS SIDE



FACE 2



FACE 1

| | | | | |
|---|---|--|-------------------------------|------------------|
| SHIPPING WEIGHT 66340 lbs+ [30095] kg+ | OPERATING WEIGHT 107460 lbs+ [48745] kg+ | HEAVIEST SECTION WEIGHT 21670 lbs+ [9830] kg+ | NO. OF SHIPPING SECTIONS 4 | DRAWN BY: TLS |
|---|---|--|-------------------------------|------------------|