

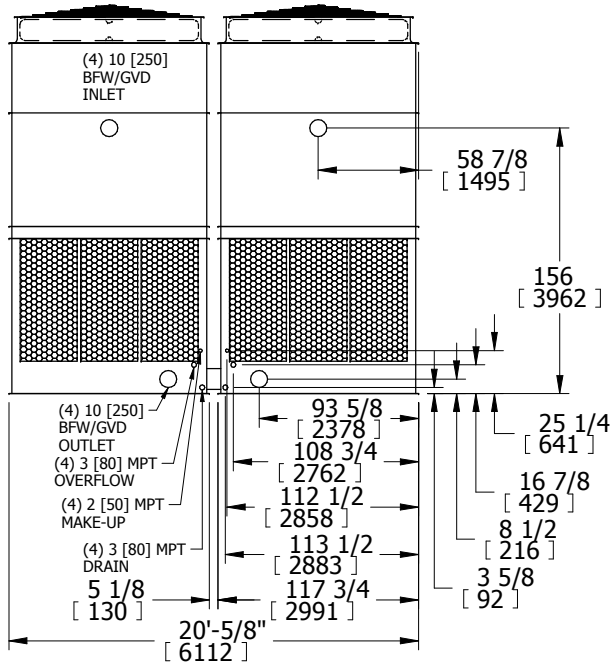
EVAPCO, INC.



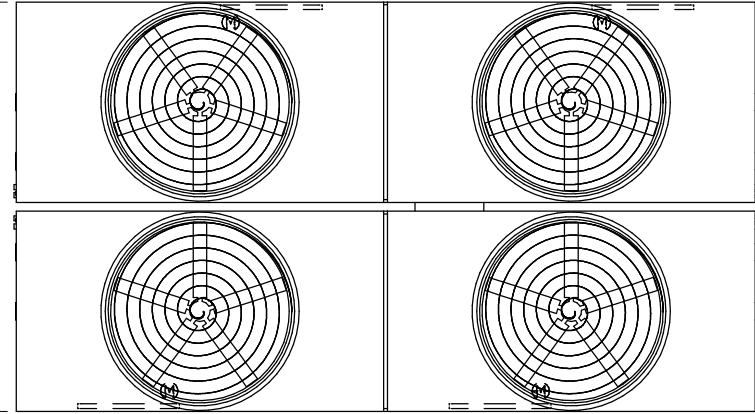
| | | | | | | |
|------------------------------|------------------------|-----------------|---------------------------|-----------|------------------|----------|
| UNIT COOLING TOWER | MODEL # AT 420-4L36 | SCALE N.T.S. | DWG. # T36M3648-DRE-ST | REV. - | DATE 3/6/2025 | SERIAL # |
|------------------------------|------------------------|-----------------|---------------------------|-----------|------------------|----------|

- NOTES:
- (M)- FAN MOTOR LOCATION
 - HEAVIEST SECTION IS UPPER SECTION
 - MPT DENOTES MALE PIPE THREAD
FPT DENOTES FEMALE PIPE THREAD
BFW DENOTES BEVELED FOR WELDING
 - +UNIT WEIGHT DOES NOT INCLUDE ACCESSORIES (SEE ACCESSORY DRAWINGS)
 - MAKE-UP WATER PRESSURE
20 psi MIN [137 kPa], 50 psi MAX [344 kPa]

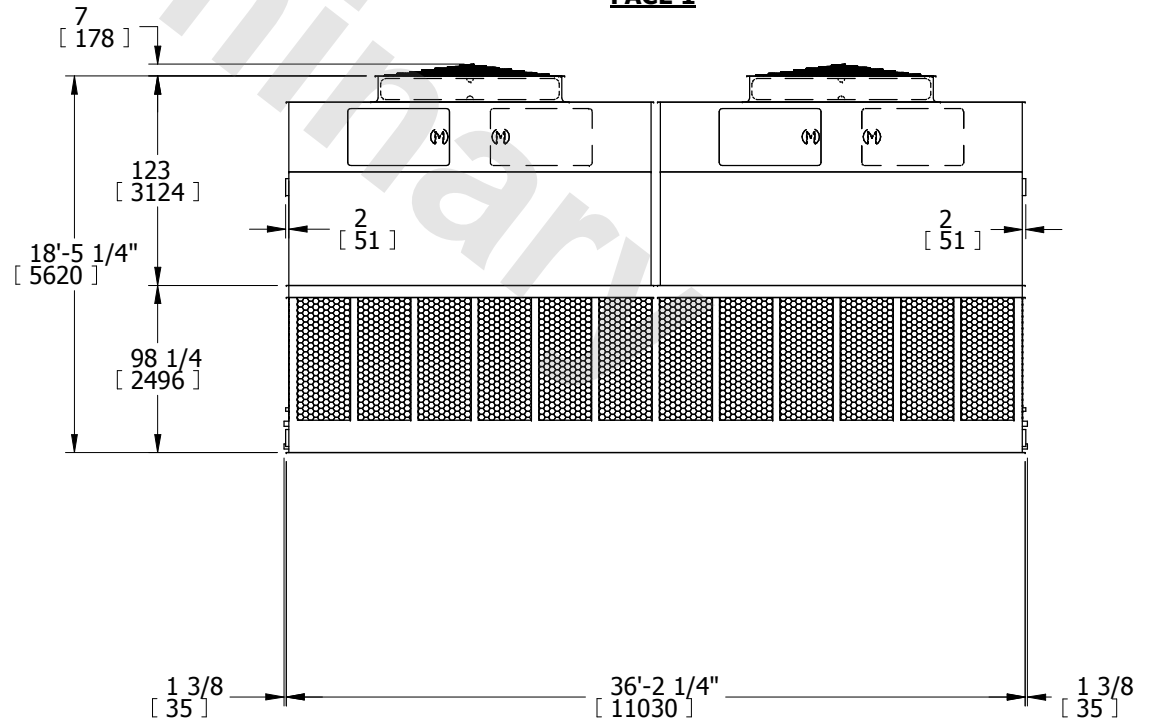
**FACE 2
PLAN VIEW**



FACE 2



FACE 1



FACE 1

| | | | |
|---|--|---|-------------------------------|
| SHIPPING WEIGHT 42660 lbs+ [19350] kg+ | OPERATING WEIGHT 76620 lbs+ [34754] kg+ | HEAVIEST SECTION WEIGHT 7480 lbs+ [3393] kg+ | NO. OF SHIPPING SECTIONS 6 |
|---|--|---|-------------------------------|