



for LIFE

CLOSED CIRCUIT COOLERS



eco-ATWB Coolers



† Mark owned by the Cooling Technology Institute

eco ENVIRONMENTALLY CONSCIOUS OPERATION
Featuring Water & Energy Conserving Technology with Plume Abatement



EVAPCO is more than a name.

It is a pledge to make everyday life easier, more comfortable, more reliable, and more sustainable for people everywhere. How do we fulfill that promise? It is simple.

We never stop innovating.

At EVAPCO, we do not just talk about innovation, It is ingrained in our workflow. Guided by our annually developed R&D plans, we set out to find groundbreaking solutions that transform the way the world works for the better. It is why we have more than 200 active patents worldwide.

We craft exceptionally built solutions.

As an employee-owned company, we take pride in our work. We are proud to be one of the most experienced teams of engineers and craftsmen in the industry. This translates into solutions that are always exceptionally built. EVAPCO has an unwavering commitment to provide “best in class” heat transfer solutions and services.

We guarantee performance.

Every EVAPCO solution is put through rigorous research and testing to ensure maximum efficiency and reliability. But we do not stop there. EVAPCO is an industry leader in independent, third-party performance certifications. These certifications guarantee our performance metrics—so that you can plan your projects with complete peace of mind.

We protect the environment.

Innovation and environmental sustainability go hand-in-hand at EVAPCO. EVAPCO’s industrial heat transfer equipment not only conserves natural resources and helps reduce noise pollution, they also feature recycled steel content in their construction. Our stainless steel units are constructed of panels that contain up to 67% recycled content; over 79% in galvanized units construction. From sound reduction to water conservation to chemical elimination, we are constantly developing new technologies that deliver the ultimate operating advantages for our clients—and protect the planet for every generation that comes after us.

Get to Know EVAPCO

- The global innovator in heat transfer solutions
- Serving the commercial HVAC, Industrial Refrigeration, Power Generation, and Industrial Process markets
- Founded in 1976
- Employee-owned
- 33 locations in 14 countries
- More than 200+ sales offices worldwide

Learn More Now

Visit evapco.com to download product catalogs, view complete product specifications, and more.

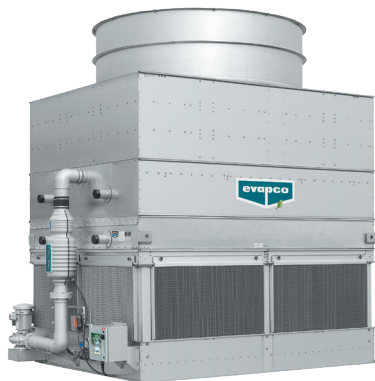


Table of Contents

Corporate.....	2
eco-ATWB Principle of Operation.....	4
eco-ATWB-H Principle of Operation.....	5
eco-ATWB Design & Construction Features.....	6-7
eco-ATWB-H Design & Construction Features.....	8
Application Versatility.....	9
Innovative Design Features.....	10-11
Sage Water and Energy Conservation Control System.....	12-13
Power-Band Belt Drive System.....	14
Drive System Maintenance.....	15
Basin Design.....	16
Optional Equipment.....	17
Water Treatment Solutions.....	18-19
Low Sound Solutions.....	20
Electric Basin Heater.....	21
Coil Connection Options.....	22
Heat Exchanger Coil / Discharge Hood Dimensions.....	23
Heat Loss Data.....	24-25
General Information.....	26
eco-ATWB Engineering and Dimensions Data.....	27-73
eco-ATWB-H Engineering and Dimensions Data.....	74-99

eco-ATWB Principle of Operation

eco-ATWB Closed Circuit Coolers



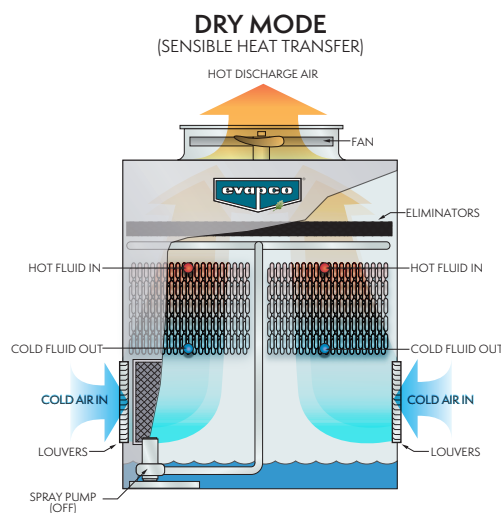
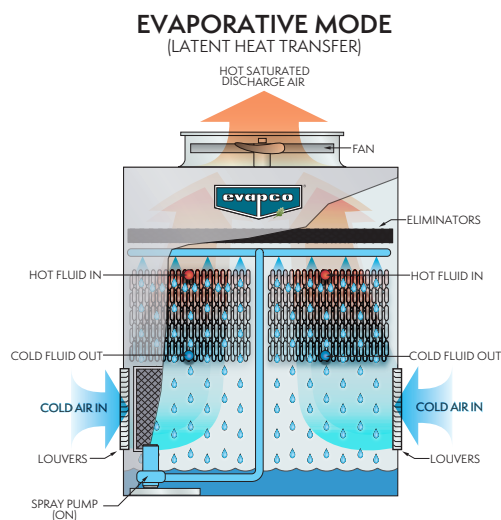
The eco-ATWB line of closed circuit coolers has been specifically designed to dramatically increase both the evaporative (latent) and dry (sensible) modes of cooling. With this revolutionary design, the EVAPCO eco-ATWB will also save water and energy by increasing the unit's efficiency in both the evaporative and dry cooling modes of operation. The eco-ATWB utilizes the EVAPCO Ellipti-fin[®] coil which features elliptical spiral fin technology to maximize the surface area available for heat transfer. The Ellipti-fin[®] coil now features **CROSSCOOL[™]** Internal Tube Enhancement which increases the internal heat transfer coefficient of the coil and thus increases the cooling capacity of the unit. The eco-ATWB is the ideal solution for: reducing water consumption, lowering energy costs, increasing the dry-bulb switchover temperature, and maintaining super low sound levels. **This product is designed with IBC Compliant construction and CTI Certified Performance.**

Evaporative Mode (Latent Heat Transfer)

The process fluid is circulated through the finned Ellipti-fin[®] coils of the closed circuit cooler. Heat from the process fluid is transferred through the tube wall and extended surface fins to the water cascading downward over the tubes. Simultaneously, air is drawing in through the air inlet louvers at the base of the cooler and travels upward over the coil opposite the spray water flow. A small portion of the water is evaporated which rejects heat. The warm moist air is drawn to the top of the closed circuit cooler by the fan and is discharged to the atmosphere. The remaining water falls to the sump at the bottom of the cooler where it is recirculated by the pump up through the water distribution system and back down over the coils.

Dry Mode (Sensible Heat Transfer)

The eco-ATWB closed circuit cooler is capable of significantly higher dry-bulb switchover temperature than a bare tube coil due to the extended surface fins of the full footprint Ellipti-fin[®] coil located entirely in the airstream. The number of coil rows and entering air combine to provide dry operation at higher dry-bulb switchover temperatures than "most" other closed circuit coolers. The ability to satisfy the heat load without operating the spray pump provides both water and energy savings.



eco-ATWB-H Closed Circuit Coolers



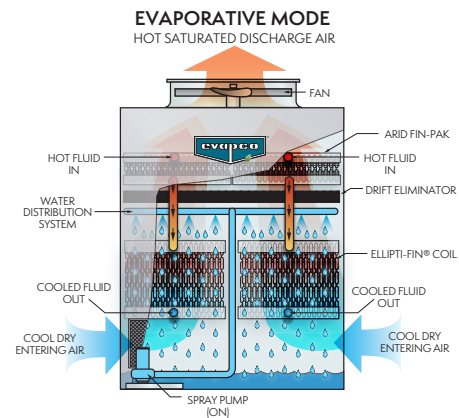
The eco-ATWB-H Hybrid line of closed circuit coolers was designed with the purpose of providing maximum water savings, higher dry-bulb switchover temperatures, while achieving plume abatement or elimination.

The eco-ATWB-H is provided with EVAPCO's **ARID fin Pak™** dry coil. Utilizing stainless steel tubes and aluminum alloy fins, the **ARID fin Pak™** maximizes the total surface area available for sensible heat transfer, which results in maximum water savings and higher dry bulb switchover temperatures. Additionally, the eco-ATWB-H is provided with the highly efficient **Ellipti-fin®** coil in series with the **ARID fin Pak™**, achieving both latent and sensible cooling simultaneously. The **Ellipti-fin®** now features **CROSSCOOL™** Internal Tube Enhancement which increases the internal heat transfer coefficient of the coil and thus increases the cooling capacity of the unit. Located in the discharge airstream, the **ARID fin Pak™** heats the saturated discharge air, abating or eliminating plume. Because the coils are in series, a significant portion of the heat load will always be dissipated through the dry cooling coil, saving water **whenever** it is in operation!

The eco-ATWB-H is the ideal solution for: maximizing water savings, increasing dry-bulb switchover temperature(s), and providing plume reduction or plume abatement. **This product is designed with IBC Compliant construction and CTI Certified Performance.**

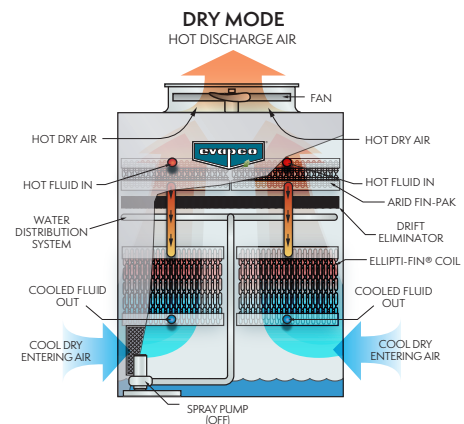
Evaporative Mode (Latent and Sensible Heat Transfer)

First, the process fluid is circulated through the **ARID fin Pak™** dry coil. A portion of the heat is rejected to the air passing over the dry coil. The process fluid then enters the finned **Ellipti-fin®** coil where the remaining heat of the process fluid is transferred through the tube wall and extended surface fins to the water cascading downward over the tubes. Simultaneously, air is drawing in through the air inlet louvers at the base of the cooler and travels upward over the coil opposite the spray water flow. A small portion of the water is evaporated which rejects heat. The warm moist air is drawn to the top of the closed circuit cooler by the fan and is discharged to the atmosphere. The remaining water falls to the sump at the bottom of the cooler where it is recirculated by the pump through the water distribution system and back down over the coils.



Dry Mode (Sensible Heat Transfer)

The eco-ATWB-H closed circuit cooler is capable of a significantly higher dry-bulb switchover temperature than a bare tube coil due to the **ARID fin Pak™** dry coil piped in series with the extended surface fins of the full footprint **Ellipti-fin®** coil located entirely in the airstream. The number of coil rows and entering air combine to provide dry operation at increased ambient temperatures. The ability to satisfy the heat load without operating the spray pump provides both water and energy savings.

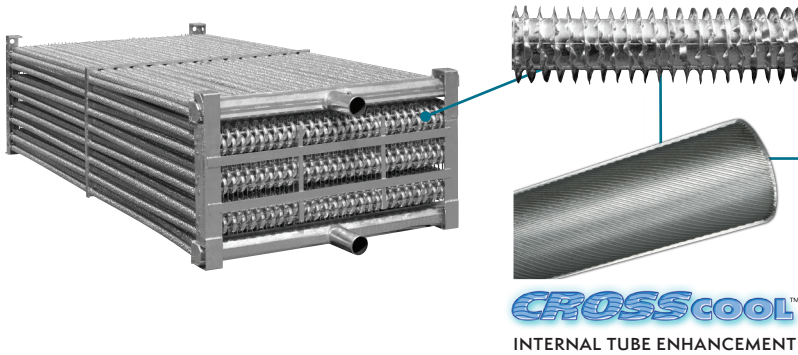


eco-ATWB Design & Construction Features

Ellipti-fin®

Galvanized Steel Elliptical Spiral Fin Coil featuring CROSSCOOL™ Internal Tube Enhancement Technology

- The most efficient closed circuit cooler coil in the HVAC industry!
- Up to **30% ADDITIONAL** evaporative capacity and HIGHER dry-bulb switchover temperatures
- All coil rows feature EVAPCO's patented finned Thermal-Pak® elliptical tube design
- Elliptical tube design results in lower airflow resistance than typical finned round tubes



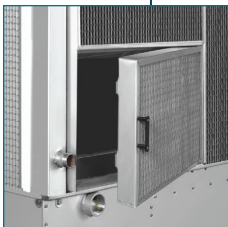
Optional Factory Mounted Non-Chemical or Chemical Water Treatment Systems

The eco-ATWB is available with either a **Pulse~Pure®** (pictured) non-chemical or a **Smart Shield®** (not shown) solid chemical water treatment system. The **Pulse~Pure®** and **Smart Shield®** are environmentally sensitive alternatives for treating water in evaporative cooled equipment. The **Pulse~Pure®** and **Smart Shield®** systems include all components required for an effective water treatment system; factory mounted and wired.



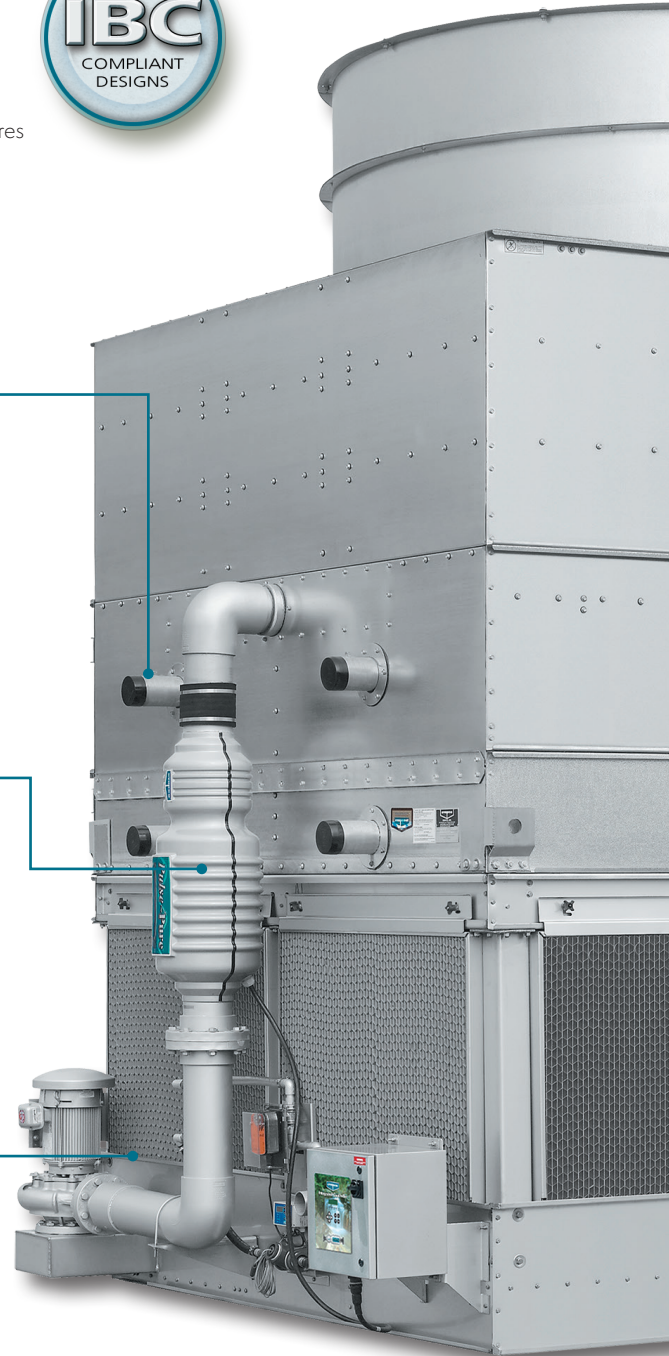
Most Accessible Basin

- Access from all four sides
- Large open area simplifies maintenance
- Basin may be inspected with pumps running



Louver Access Door

- Louver access door is available on models with 5 and 6 ft. louver sizes
- Hinged access panel with quick-release mechanism
- Allows easy access to perform routine maintenance and inspection of the makeup assembly, strainer screen and basin



Super Low Sound Fan

- Extremely wide sloped fan blades for sound sensitive applications
- Molded heavy-duty construction
- 9-15 dB(A) sound reduction



Unique Fan Drive System

- Power-Band belts for better lateral rigidity
- Advanced design aluminum fan blades
- Non-corroding cast aluminum sheaves
- Heavy-duty fan shaft bearings with L₁₀ life of 100,000 hrs.
- All other components constructed of corrosion resistant materials
- Totally enclosed fan motors assure long life



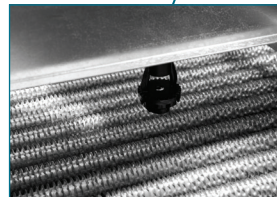
Efficient Drift Eliminators

- Advanced design minimizing drift from the leaving airstream
- Made from corrosion resistant PVC for long life



PVC Spray Distribution Header with ZM™II Nozzles

- Large orifice fixed-position nozzles prevent clogging



The EVAPCO Performance Guarantee

Every eco-ATWB product is rigorously tested for thermal performance by EVAPCO and then independently certified by the Cooling Tower Institute (CTI), so you know you're getting a solution that's guaranteed to get the job done.

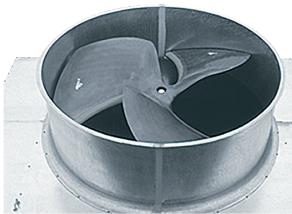
† Mark owned by the Cooling Technology Institute



Water and Sight Tight (WST) Air Inlet Louvers

- Easily removable for access
- Improved design to keep sunlight out—preventing biological growth
- Keeps water in while keeping dirt and debris out

eco-ATWB-H Design & Construction Features



Super Low Sound Fan

- Extremely wide sloped fan blades for sound sensitive applications
- Molded heavy-duty construction
- 9-15 dB(A) sound reduction

ARID *fin Pak*™

Dry Cooling Coil

Featuring Stainless Steel Tubing with Aluminum Alloy Fins

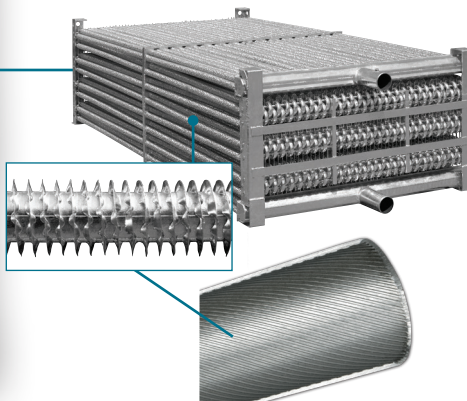
- Maximizes water efficiency
- Higher dry-bulb switchover temperatures
- Plume elimination in dry mode
- Plume abatement in evaporative mode
- Increases evaporative and dry cooling efficiency



Ellipti-*fin*®

Galvanized Steel Elliptical Spiral Fin Coil featuring **CROSSCOOL**™ Internal Tube Enhancement Technology

- The most efficient closed circuit cooler coil in the HVAC industry!
- Up to **30% ADDITIONAL** evaporative capacity and HIGHER dry-bulb switchover temperatures
- All coil rows feature EVAPCO's patented finned Thermal-Pak® elliptical tube design
- Elliptical tube design results in lower airflow resistance than typical finned round tubes



CROSSCOOL™
INTERNAL TUBE ENHANCEMENT



Optional Factory Mounted Non-Chemical or Chemical Water Treatment Systems

The eco-ATWB and eco-ATWB-H is available with either a **Pulse~Pure**® (pictured) non-chemical or a **Smart Shield**® (not shown) solid chemical water treatment system. The **Pulse~Pure**® and **Smart Shield**® are environmentally sensitive alternatives for treating water in evaporative cooled equipment. The **Pulse~Pure**® and **Smart Shield**® systems include all components required for an effective water treatment system; factory mounted and wired.



Efficient Drift Eliminators

- Advanced design minimizing drift from the leaving airstream
- Made from corrosion-resistant PVC for long life



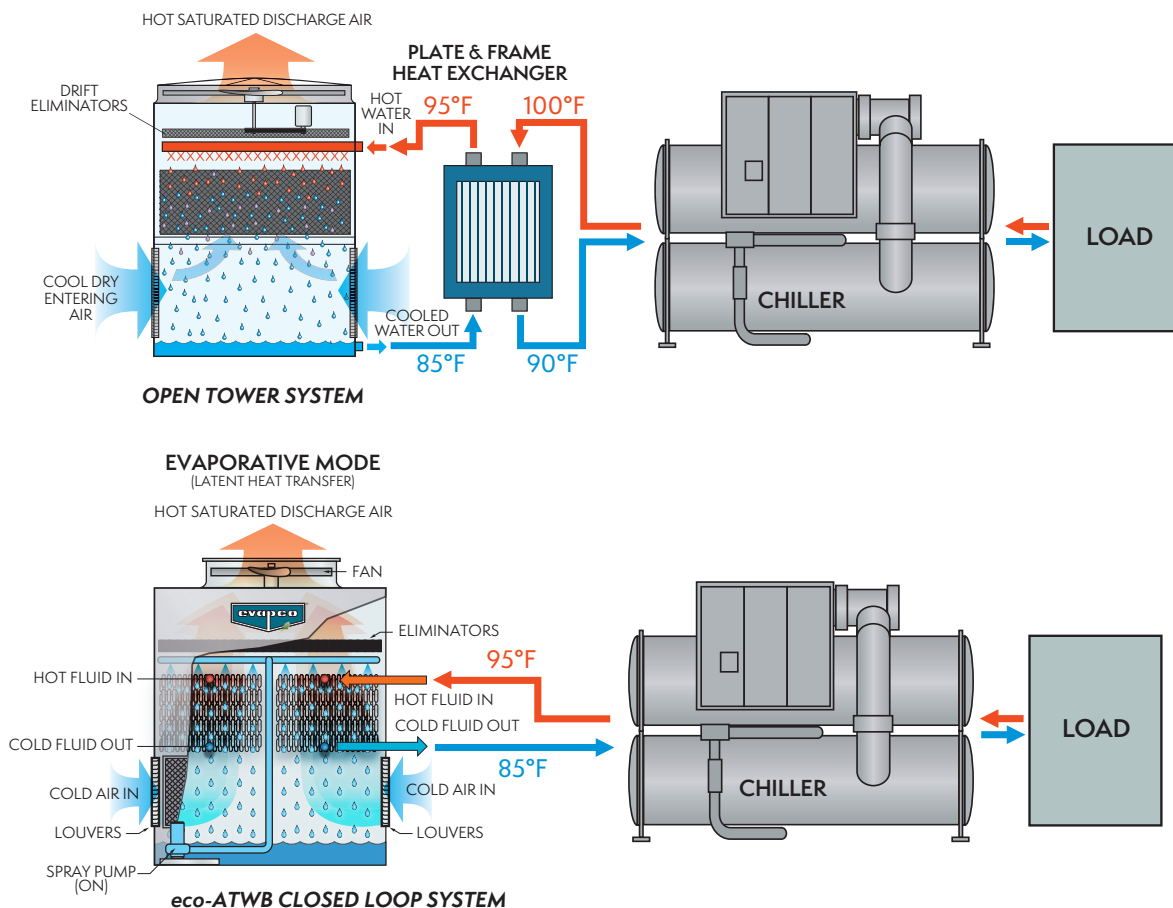
The EVAPCO Performance Guarantee

Every eco-ATWB-H product is rigorously tested for thermal performance by EVAPCO and then independently certified by the Cooling Tower Institute (CTI) so you know you're getting a solution that's guaranteed to get the job done.

* Mark owned by the Cooling Technology Institute

Closing the Loop

Open cooling tower systems are susceptible to fouling on the heat transfer surfaces due to the process water being open to the environment, and pulling in dirt and debris from the surrounding area. Often, when used in conjunction with a plate and frame heat exchanger, there is the need to oversize the tower to make up for the efficiency lost across the heat exchanger. By closing the process fluid in the coils of a closed circuit cooler, both of these issues are eliminated.



Low-Temperature Applications

Many closed circuit coolers and cooling towers are operated year round in temperatures that drop below freezing. Often, remote sump tanks are utilized to keep the basin water from freezing by moving the spray water supply from the basin of the unit to a storage tank located indoors. By providing heat rejection through dry operation at temperatures above freezing, the eco-Coolers negate the need to add a remote sump tank to a project. Additionally, operating an eco-Cooler in the dry mode in freezing conditions eliminates common problems such as ice formation on fill media and air inlet louvers.

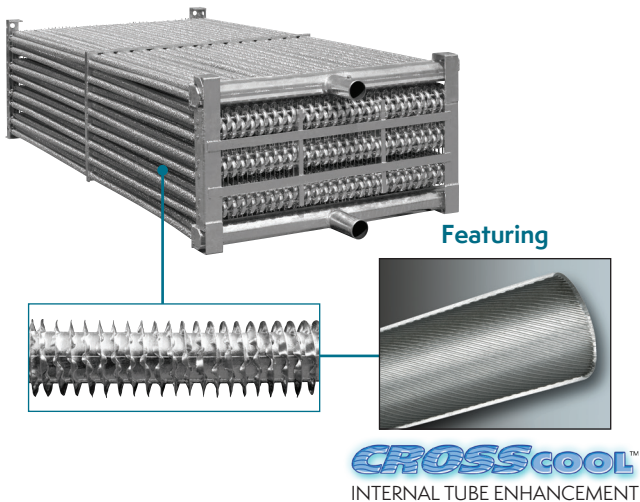
High-Temperature Applications

Many industrial applications have higher entering process fluid temperatures. A standard open cooling tower is limited by the fill at 130°F. The eco-ATWB line of closed circuit coolers can operate with inlet process fluid temperatures up to 170°F. Galvanized steel, as well as type 304 and type 316 stainless steel materials can be used in the construction of the basin, casing and coil(s), providing years of reliable operation and corrosion resistance.

NOTE: Some high-temperature applications require high-temperature-rated PVC materials. Please contact your local EVAPCO sales representative for high-temperature applications.

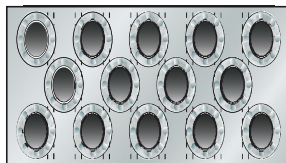
Innovation Design Features

Ellipti-fin® Heat Transfer Coil

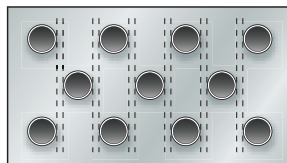


Galvanized steel elliptical Thermal-Pak® II coil featuring CROSSCOOL® Internal Tube Enhancement Technology

- The most efficient closed circuit cooler coil in the HVAC industry
- Up to **30% ADDITIONAL** evaporative capacity and HIGHER dry-bulb switchover temperatures
- Internal tube enhancement provides additional evaporative capacity
- All rows finned
- Elliptical tube design results in lower airflow resistance than typical finned round tube designs



EVAPCO's Ellipti-fin® Finned Elliptical Tube



Competitors' Round-Tube Coil

The eco-Cooler line of closed circuit coolers utilize EVAPCO's patented Ellipti-fin® coil design, featuring CROSSCOOL® internal tube enhancement ensures even greater operating efficiency. The elliptical tube design allows for closer tube spacing, resulting in greater surface area per plan area than round-tube coil designs.

In addition, the revolutionary Ellipti-fin® design uses elliptical spiral fin coil technology and has lower resistance to air flow than typical finned coil designs. This permits greater water loading and increases the evaporative and dry cooling capacity of the coil. EVAPCO's CROSSCOOL® internal tube enhancement increases fluid turbulence through the coil, further increasing the evaporative capacity. The Ellipti-fin® coil featuring CROSSCOOL® is the most efficient design available in the industry, providing up to **30% ADDITIONAL** evaporative capacity in the same box!

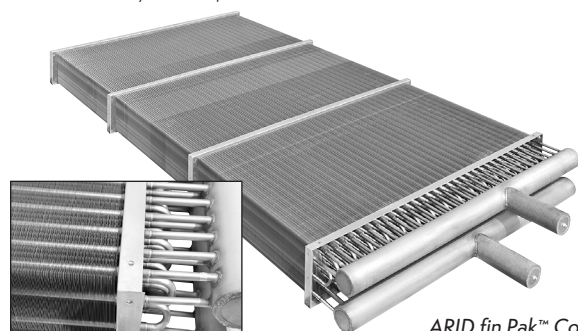
The coils are manufactured from high quality steel tubing following the most stringent quality control procedures. Each circuit is inspected to ensure the material quality and then tested before being assembled into a coil. Finally, the assembled coil is pneumatically tested at 390 psig underwater to ensure it is leak free.

To protect the coil against corrosion, it is placed in a heavy steel frame and then the entire assembly is dipped into molten zinc (hot-dipped galvanized) at a temperature of approximately 800°F.

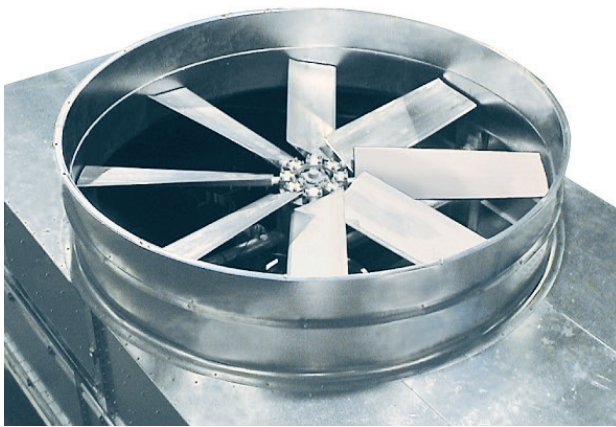
NOTE: Closed circuit coolers should only be used on sealed, pressurized systems. Continual aeration of the water in an open system can cause corrosion inside the tubes of the coil leading to premature failure.

ARID fin Pak™ Dry Cooling Coil

The eco-ATWB-H Closed Circuit Cooler utilizes the ARID fin Pak™ Dry Cooling Coil. Installed in the air discharge of the cooler the ARID fin Pak™ dry cooling coil is piped in series with the evaporative cooling coil. The ARID fin Pak™ dry cooling coil is constructed of 304L stainless steel tubes and tubular stainless steel header with carbon steel coil connections for easy field piping. The fins have fully drawn collars to maintain consistent fin spacing and continuous surface contact over the entire tube to maximize heat transfer. The fins are constructed of an aluminum alloy for superior corrosion resistance.



ARID fin Pak™ Coil



Smooth Flow Fans

Smooth flow axial propeller fans come standard on all eco-ATWB closed circuit coolers. Fan construction is dependent on unit size:

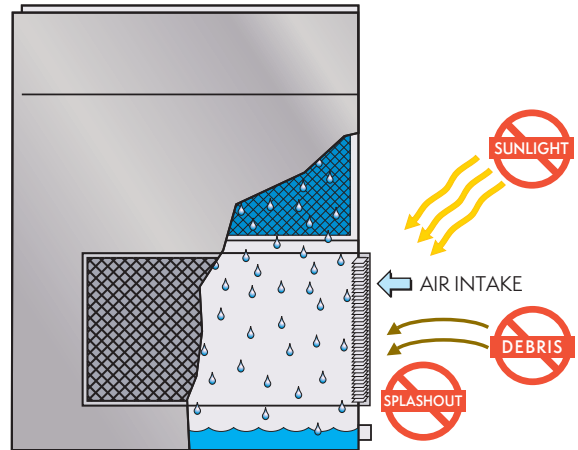
- 4-foot-wide: Fiberglass-reinforced polypropylene wide chord blades with die-cast aluminum hub
- Over 4 feet: 100% aluminum alloy fan blades

All fans are statically and dynamically balanced and installed in a closely fitted cowl with venturi air inlet for maximum efficiency. Fan screens are constructed of galvanized steel or optional type 304 stainless steel, and have steel frames bolted to the fan cowl.

Low sound and Super Low Sound Fan options are also available. See page 22 to learn more.

Pressurized Water Distribution System

The eco-ATWB product line's water distribution system is made of schedule 40 PVC pipe and ZM™II ABS plastic water nozzles for maximum corrosion protection. The piping is easily removable for cleaning. The water nozzles have a 1-5/16" diameter opening to help eliminate costly clogging.



Superior Air Inlet Louver Screen Design

EVAPCO's Water and Sight Tight (WST) inlet louver screens keep water in and sunlight out of your eco-ATWB series closed circuit cooler. The unique, non-planar design is made from lightweight, framed PVC sections which have no loose hardware, enabling easy unit access. The louver's air channels are optimized to maintain fluid dynamic and thermodynamic efficiency and block all line-of-sight paths into the basin, eliminating splashout even when the fans are off. And because all sunlight is blocked, algae growth is minimized. The end result: reduced maintenance hours, water consumption, and water treatment costs.

Maintenance Free ZM™II Spray Nozzle Water Distribution System

EVAPCO'S Zero Maintenance ZM™II spray nozzle remains clog free while providing even and constant water distribution for reliable, scale-free evaporative cooling under all operating conditions.

The heavy-duty nylon ZM™II spray nozzles have a 1-5/16" diameter opening. Furthermore, the fixed-position ZM™II nozzles are mounted in corrosion-free PVC water distribution pipes that have threaded end caps. Together, these elements combine to provide unparalleled coil coverage and scale prevention, making it the industry's best performing non-corrosive, maintenance-free water distribution system.



ZM™II Nozzle

Sage® Water and Energy Conservation Control System



Maximize the water or energy savings of your eco-cooler with EVAPCO's Sage® Water and Energy Conservation System! The Sage system automatically operates the eco unit in a manner which maximizes water or energy savings, based on the client's water or energy savings priority.

Manufacturer Supplied and Programmed

Using our patented Sage Control System guarantees seamless integration with your eco unit, reduced field installation times, and maintains EVAPCO as your single-source cooling solution.

Adaptive Control Sequence for Ultimate Savings

Many closed circuit coolers and cooling towers are operated year round in temperatures that drop below freezing. Often, remote sump tanks are utilized to keep the basin water from freezing by moving the spray water supply from the basin of the unit to a storage tank located indoors. By providing heat rejection through dry operation at temperatures above freezing, the eco-Coolers negate the need to add a remote sump tank to a project. Additionally, operating an eco-Cooler in the dry mode in freezing conditions eliminates common problems such as ice formation on fill media and air inlet louvers.

Water Savings Priority

When set to prioritize water savings, the Sage control system automatically varies the unit between dry and evaporative modes of operation and stages spray pumps to minimize time spent in evaporative mode.

Energy Savings Priority

When set to prioritize energy savings, the Sage control system automatically varies the unit between dry and evaporative modes of operation, and controls fan speed and pump operation in an effort to maximize energy savings.

Enjoy the full benefits of the Sage control system with one of EVAPCO's unmatched hybrid cooling units

eco-AWTB & eco-ATWB-H evaporative coolers provide the ultimate solution for installations seeking the highest ambient dry bulb switchover temperatures, reduced water usage, high peak-load output, and plume abatement.



Sage® Water and Energy Conservation Control System

Programmable Logic Controller (PLC) communication protocols

- BACnet IP
- BACnet MS/TP
- Modbus RTU
- Modbus TCP

Standard Control & Power Items

- UL Type 4 enclosure
- UL approval
- Programmable Logic Control
- Variable frequency drive(s)
- Recirculating pump motor starter(s)
- Fluid inlet/outlet temperature sensors with high and low alarm setpoints
- Basin temperature sensor(s)
- Ambient dry bulb sensor
- Main disconnect circuit breaker
- Main hand/off/auto switch (HOA)
- DC power supply for the PLC and instruments
- Control power transformer
- Heater contactor with overload protection and temperature setpoints with fusing
- 5-Probe Electronic Water Level Control package
- High/low water level alarm contacts
- Fan motor: space heater control(s)
- Relays for all PLC digital outputs
- Terminal blocks for each PLC input/output
- Ethernet connection between VFD(s), PLC and operator interface



Control Features

- Manual operation of pumps and fans
- Ability to enable or disable makeup valve
- Power failure recovery timer
- Ability to perform bump test
- Visual status display of all unit components and accessories
- Back up with user settings and factory settings
- Pump runtime recorder
- Fan motor runtime recorder

HMI Panel Display

The Sage Control Panels are provided with a 10" touch screen operator interface with a color display. This allows for easy viewing and control at the panel.



Temperature Sensors (Field Installed)

Four separate temperature data points are monitored with this package:

- Inlet Temperature Sensor: 0°F – 180°F range
- Outlet Temperature Sensor: 0°F – 180°F range
- Dry-Bulb Temperature Sensor: -30°F – 130°F range
- Basin Temperature Sensor: 0°F – 180°F range

Enclosure Temperature Control

The panel enclosure includes an intake and an exhaust ventilation fan. When the enclosure temperature rises to a predetermined setpoint, the exhaust fans are activated. The enclosure also contains a heater. The heater eliminates the drastic temperature changes which could create condensation inside of the enclosure. The ambient temperature range between -4°F to 104°F. Consult your EVAPCO sales representative for temperature requirements outside these conditions.



Fan



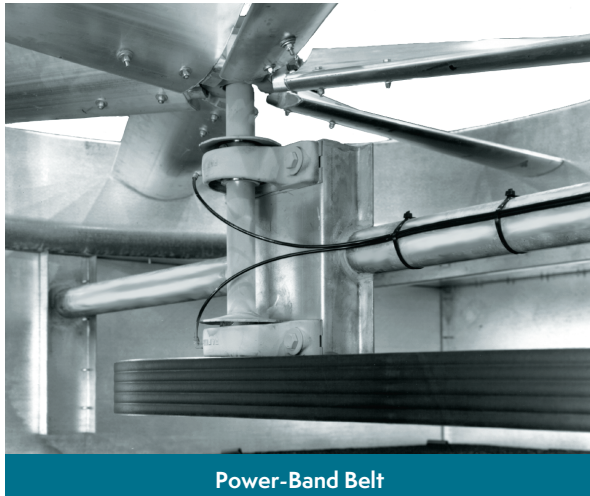
Heater

**Optional communication protocol may be available. Please contact your local EVAPCO sales representative.*

The Power-Band Belt Drive System

Power-Band Drive System Design

The eco-ATWB product line features the highly successful Power-Band Belt Drive System. The Power-Band Drive System has performed consistently with trouble-free operation in the most severe conditions of closed circuit cooler applications. The reliability of the drive system is backed by a Five (5) Year complete drive system warranty.



Power-Band Belt



TEFC Fan Motor



TEAO Fan Motor

Power-Band Drive System Includes:

- Solid back Power-Band drive belt
- Totally enclosed fan motors (TEFC or TEAO)
- Aluminum sheaves
- Fan shaft bearings with minimum L₁₀ life of 100,000 hrs.
- 5-year drive system warranty

Power-Band Belt Drive

The Power-Band drive is a solid-backed multi-groove belt designed for closed circuit cooler service. The drive belt is sized for 150 percent of the motor nameplate horsepower and constructed of neoprene with polyester chords. Band belts are field-proven with over 20 years of field operation.

Drive System Sheaves

Drive system sheaves are constructed of an aluminum alloy for corrosion resistance in the humid closed circuit cooler environment.

Fan Shaft Bearings

The fan shaft bearings are specially selected to provide long life, minimizing costly downtime. They are rated for a minimum L₁₀ life of 100,000 hours, making them the heaviest duty pillow block bearings in the industry.

Fan Motors

All EVAPCO closed circuit coolers utilize totally enclosed fan motors (TEFC or TEAO) designed specifically for evaporative cooling applications. Premium efficient fan motors which are compatible with variable frequency drive (VFD) systems, come standard on all eco-ATWB models.

Five-Year Drive Warranty

EVAPCO provides a standard 5-year motor and drive warranty on all Power-Band drive systems. This warranty provides end users with complete protection against fan motor or drive component failure. The comprehensive warranty includes the fan, fan motor, fan shaft, belts, sheaves, and fan bearings.



The Industry's Easiest Drive System Maintenance

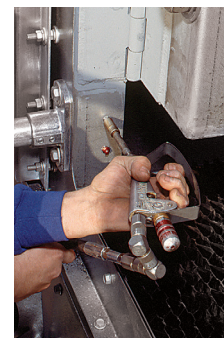
Standard Coolers (8.5 Feet Wide or Less)

The totally enclosed fan cooled (TEFC) motor is mounted on the outside and protected from the weather by a hinged cover that swings away for maintenance. A large, hinged access door is located on the side of the unit for easy access to the fan drive system. The belt can be adjusted by tightening the J-bolts on the motor base, and tension can be checked easily through the access door. The bearing lubrication lines have been extended to the exterior casing and are located by the access door, thus making bearing lubrication easy. Optional sloped maintenance ladders and working platforms are available to make maintenance even easier.



Large Coolers (Over 8.5 Feet Wide)

The totally enclosed air over (TEAO) motor is located inside the fan casing and mounted on a unique, heavy-duty adjustable motor base that is designed to swing completely to the outside of the unit through a large, hinged access door (14 square feet/1.3 square meters). The belt can be easily adjusted from outside the unit via an all-thread that runs through the motor base, or via the motor base's unique locking mechanism if a wrench is not available. Bearing lubrication fittings are extended to the side of the unit inside the access door to allow for easy application of the bearing lubricant. To facilitate motor removal, an optional motor davit is available.



Worry Free Maintenance Basin Design



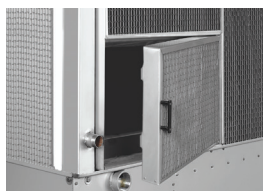
Easy Access

The cold water basin section is easily accessible from ground level by simply lifting out the lightweight louver. The basin can be accessed from all four sides of the closed circuit cooler, and the bottom of the fill section is a minimum of 4 feet (1.2 m) above the basin floor. This open design enables the basin to be easily cleaned.

NOTE: 4-foot-wide models are accessible on only two sides.

Louver Access Door

To aid in basin maintenance, most eco-Cooler models can be equipped with an optional louver access door. This allows easy access to perform routine maintenance and inspection of the makeup assembly, strainer screen, and basin without removing an entire inlet louver.



NOTE: This feature is standard on models with louvers 5 feet and taller and optional on models with 4-foot-tall louvers.

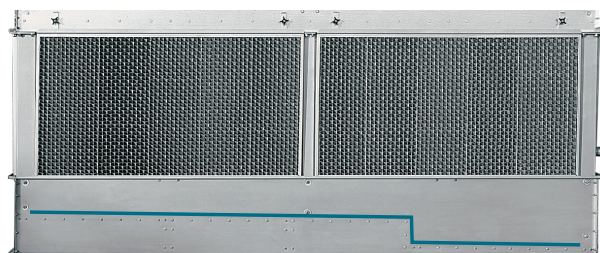
Electric Water Level Control (Optional)

Closed circuit coolers may be ordered with an electric water level control in lieu of the standard mechanical float and makeup assembly. This package provides accurate control of water levels and does not require field adjustment.



Stainless Steel Strainers

In evaporative cooling units, the strainer is subject to excessive wear and corrosion. All EVAPCO strainers are constructed with stainless steel—a long-standing EVAPCO standard—ensuring that yours will last the life of your closed circuit cooler.



Clean Pan Design

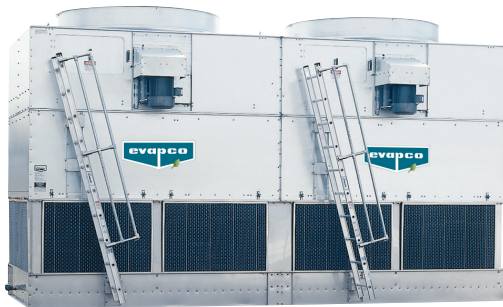
The eco-ATWB series also features a completely sloped basin from the upper to lower pan section. This “clean pan” design allows the water to be completely drained from the basin. The closed circuit cooler spray water will drain from the upper section to the depressed lower pan section where the dirt and debris can be easily flushed out through the drain. This design helps prevent buildup of sedimentary deposits and biological films, and minimizes standing water.

NOTE: On 4-foot-wide units, the pan is sloped without the step.

Optional Equipment

Sloped Maintenance Ladders

Designed by EVAPCO and OSHA compliant, this sloped “ships type” ladder enables visual inspection of the water distribution system and drive components. What’s more, all standard drive system maintenance can be performed from the ladder. A handrail is attached to the sloped ladder for safe and easy ascent and descent—no need for safety cages.

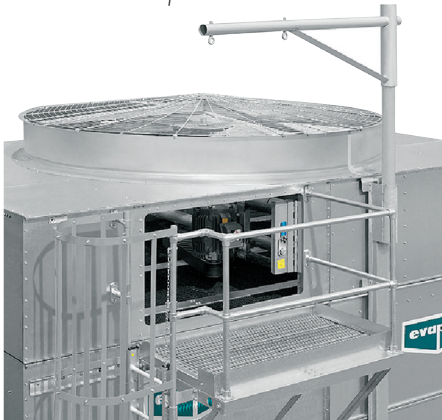


NOTE: Available on all models wider than 4 feet. A vertical ladder is available for smaller models. Ladder ships loose and must be field mounted.

Working Platform & Ladder with Davit

Make it easy to service the fan motor and water distribution system with this heavy-duty, self-supporting working platform and standard ladder. A less expensive alternative to field erected catwalks, the system is OSHA compliant and ships in sections for easy installation. Note: The working platform is not available on 4-foot-wide models.

Eliminate crane rentals with an optional davit that facilitates the easy removal of motors, gear drives, and fans. The davit is constructed of aluminum and is mounted on the side of the unit with a galvanized steel bracket. Note: Davit ships loose and is installed in the field.

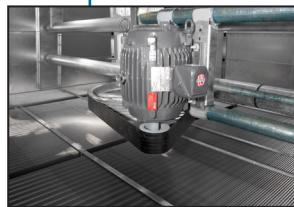
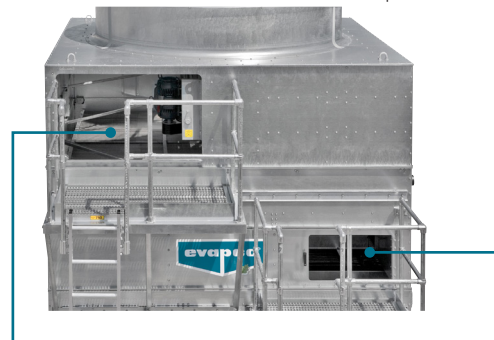


The eco-ATWB-H is available with a self-supported external working platform and ladder. Two separate

platforms will allow easy access to the motor and drive system, water distribution system as well as the ARID fin Pak™ coil. The working platforms are constructed of the heavy duty galvanized steel. The OSHA compliant working platform option uses a straight ladder as standard and ships in sections for easy installation.

Welded Stainless Steel Basin

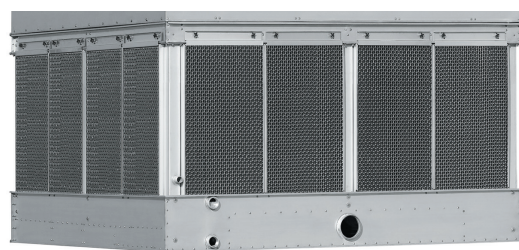
The basin area of the fluid cooler often experiences dirt



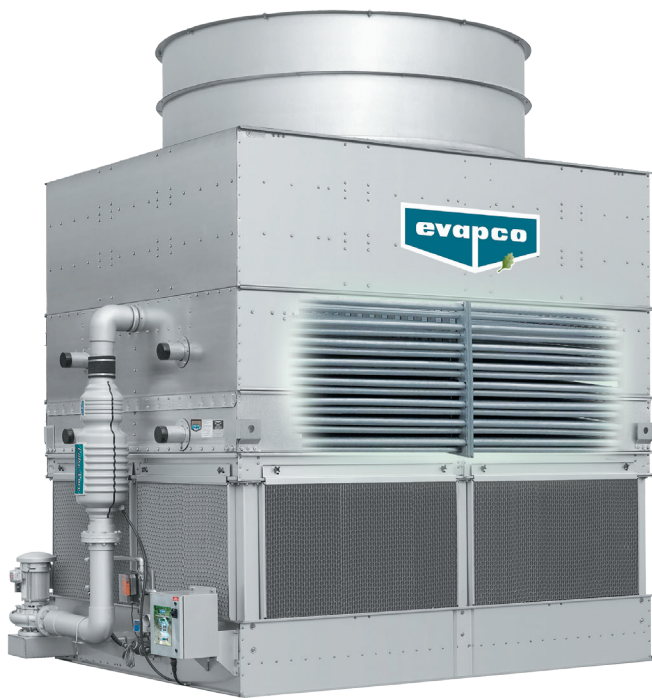
and debris buildup. Type 304 or 316 stainless steel is available to provide increased corrosion protection for the entire basin area including the support columns of the cooler and the air inlet louver frames.

All Stainless Steel Option (Excluding Fans/Coils)

In addition to the basin, the remainder of the unit is constructed of type 304 or 316 stainless steel. When this



option is selected the unit panel construction contains either type 304 or 316 stainless steel. Fan cylinder and fan screen are also constructed of the same material.



Our Industry-Leading Approach

To enhance passivation and minimize the formation of *white rust*, we've developed a two-step process that produces visible results. Even in applications requiring immediate heat load, we can provide practical solutions for galvanized steel equipment.

The EVAPCO Pass-Protect® process is a combination of:

Step 1: Passiv-Assist® Factory Applied Pretreatment

Step 2: Field Passivation

Experience a custom passivation plan that promotes the formation of a passive oxide layer, eliminating the need to feed white rust inhibitors for the life of the unit.



Learn more about this solution at evapco.com.



Engineered to Improve Water Efficiency

The EVAPCO Water Saver™ utilizes capacitive deionization technology to reduce dissolved ion concentration, thus lowering the makeup water conductivity prior to use in an evaporative cooling system. Makeup water entering the Water Saver passes through individual cylinders which contain oppositely charged supercapacitors. Dissolved ions (except silica) are removed from the water as they are absorbed onto the charged capacitors. A typical 50% ion reduction allows the operating cycles of concentration to be safely doubled without an increase in scale or corrosion potential.



View the Water Saver™ video and mechanical specifications at evapco.com to learn more.



Pretreatment System for Evaporative Cooling Equipment



Pulse~Pure® Non-Chemical Water Treatment System



EVAPCO's *Pulse~Pure*® water treatment system utilizes pulsed electric field technology to provide an environmentally responsible alternative for the treatment of water in evaporative cooling equipment. The *Pulse~Pure*® system delivers short low- and high-frequency bursts of electromagnetic fields to the recirculating water in the fluid cooler.

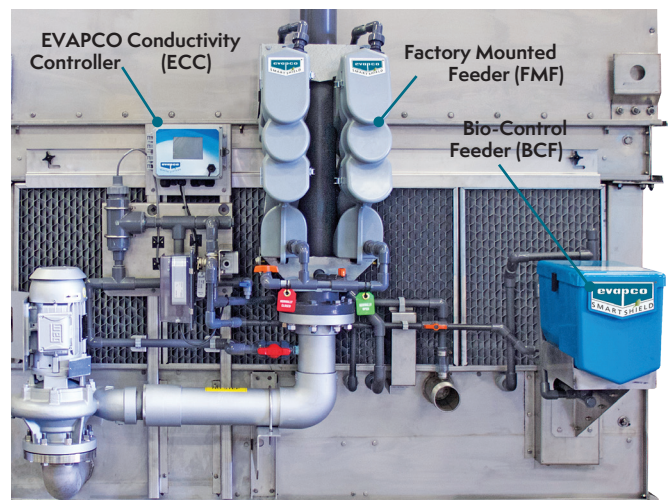
- EVAPCO guarantees that total bacterial counts will not exceed 10,000 CFU/ml in the cooling water
- Controls scale, corrosion, and microbiological growth with absolutely no chemicals required
- Compact design with no moving parts and low energy consumption



Learn more about *Pulse~Pure*® at evapco.com.



Smart Shield® Solid Chemical Water Treatment System



EVAPCO's *Smart Shield*® system utilizes proven solid chemistry delivered via our revolutionary feed system. With patented Controlled Release tablets, a scale and corrosion inhibitor is fed whenever your spray water pump is energized. Thus keeping your system protected anytime the spray water pump is operating.

Smart Shield® is a complete water treatment package that:

- Utilizes 'Bag in Bag' no touch chemical replenishments, making reloads easier and safer
- Creates reduced packaging, shipping and handling, providing a reduced carbon footprint compared to liquid chemicals
- Eliminates the hazards associated with liquid chemicals, potential for liquid spills, and the need for expensive feed pumps—making it the easiest and safest chemical water treatment system available today



Watch a short product video at evapco.com.

Optional Equipment: Low Sound Solutions

Super Low Sound Fan – 9-15 dB(A) Reduction

When you are tasked with achieving the lowest sound levels possible, there is only one choice: the EVAPCO Super Low Sound Fan. It's the quietest, most noise efficient fan in the industry—capable of reducing sound pressure level by 9 to 15 dB(A)!

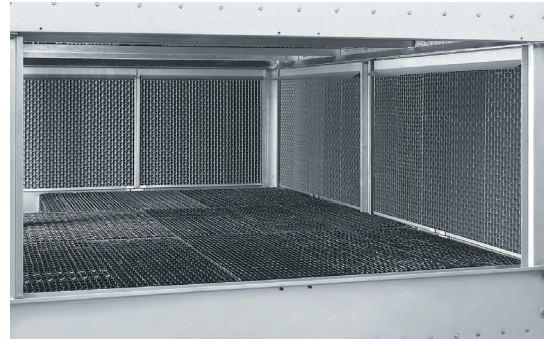
NOTE: Not available on 4-foot-wide models.



Water Silencer – Reduces Water Noise up to 7 dB(A)

Located in the cold water basin, EVAPCO's water silencers reduce the high frequency noise associated with falling water and are capable of lowering overall sound levels 4 to 7 dB(A) when measured at 5 feet from the side or end of the unit. When water is circulated with fans off, the results are even greater: as much as 9 to 12 dB(A) lower at the same measured distance (depending on water loading and louver height). Constructed of lightweight PVC sections, the silencers can be easily removed for access to the basin area. It will have no impact on thermal performance and is CTI certified.

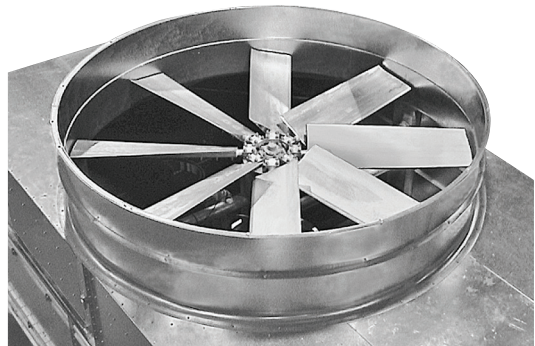
NOTE: Not available on 4-foot-wide models with Electronic Water Level Controller (EWLC) package.



Low Sound Fan – 4-7 dB(A) Reduction

Ideal for sound-sensitive applications, EVAPCO's low sound fan features a wide chord blade and a unique soft-connect blade-to-hub design that is compatible with variable speed drives. Since the blades are not rigidly connected to the fan hub, no vertical vibration forces are transmitted to the unit structure. This reduces sound pressure levels by 4 to 7 dB(A), depending on specific unit selection and measurement location.

The fan is a high efficiency axial propeller and is CTI certified. The low sound fan has a thermal performance derate of 3.5%. Consult your local EVAPCO sales representative for actual thermal performance.



Offset Sound Attenuation Walls

Add EVAPCO's CTI-certified offset sound attenuation walls to your super low sound fan and water silencer options for the ultimate sound control. Constructed of G-235 galvanized steel and lined inside with acoustical padding, the walls will typically reduce the 50-foot free-field sound level by an additional 3 dB(A). Stainless steel construction also available. Requires external support by others.

NOTE: Available only in combination with both Super Low Sound Fan and water silencer.



Optional Equipment: Electric Basin Heaters

Electric immersion heaters can be added to the basin of your eco-ATWB closed circuit cooler. They are sized to maintain a +40° F (4.5° C) pan water temperature with the fans and system pumps off. A thermostat and low-water protection device cycle the heater on when required and prevent the heater elements from energizing unless they are completely submerged. All components are protected by rugged, weatherproof enclosures for outdoor use.

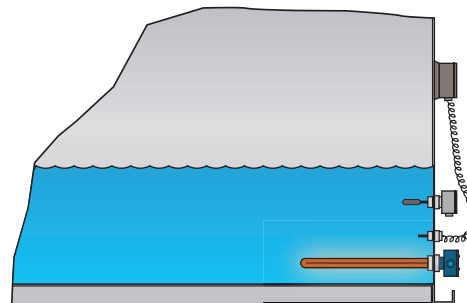
eco-Coolers Heater Sizes *

Unit No.	0°F kW	-20°F kW	-40°F kW
eco-ATWB 4x6	(1) 3	(1) 4	(1) 5
eco-ATWB 4x9	(1) 4	(1) 5	(1) 7
eco-ATWB 4x12	(1) 5	(1) 7	(1) 9
eco-ATWB 7x9	(1) 6	(1) 8	(2) 6
eco-ATWB 7x12	(2) 4	(2) 6	(2) 8
eco-ATWB 7x14	(2) 5	(2) 7	(2) 9
eco-ATWB 7x18	(2) 6	(2) 8	(2) 12
eco-ATWB 7x24	(4) 4	(4) 6	(4) 8
eco-ATWB 7x28	(4) 5	(4) 7	(4) 9
eco-ATWB 7x36	(4) 6	(4) 8	(4) 12
eco-ATWB 14x9	(2) 6	(2) 8	(4) 6
eco-ATWB 14x12	(4) 4	(4) 6	(4) 8
eco-ATWB 14x14	(4) 5	(4) 7	(4) 9
eco-ATWB 14x18	(4) 6	(4) 8	(4) 12
eco-ATWB 2.4mx9	(1) 6	(1) 9	(1) 12
eco-ATWB 2.4mx10.5	(1) 7	(1) 10	(1) 15
eco-ATWB 2.4mx12	(2) 4	(2) 6	(2) 8
eco-ATWB 2.4mx14	(2) 5	(2) 7	(2) 9
eco-ATWB 2.4mx18	(2) 6	(2) 9	(2) 12
eco-ATWB 2.4mx21	(2) 7	(2) 10	(2) 15
eco-ATWB 2.4mx24	(4) 4	(4) 6	(4) 8
eco-ATWB 2.4mx28	(4) 5	(4) 7	(4) 9
eco-ATWB 2.4mx36	(4) 6	(4) 9	(4) 12
eco-ATWB 2.4mx42	(4) 7	(4) 10	(4) 15
eco-ATWB 4.8mx9	(2) 6	(2) 9	(2) 12
eco-ATWB 4.8mx10.5	(2) 7	(2) 10	(2) 15
eco-ATWB 4.8mx12	(4) 5	(4) 7	(4) 9
eco-ATWB 4.8mx14	(4) 5	(4) 7	(4) 9
eco-ATWB 8.5x7.5	(1) 6	(1) 7	(1) 9
eco-ATWB 8.5x9	(1) 7	(1) 10	(1) 15
eco-ATWB 8.5x10.5	(1) 8	(1) 12	(1) 15
eco-ATWB 8.5x12	(2) 4	(2) 7	(2) 9
eco-ATWB 8.5x14	(2) 5	(2) 7	(2) 10
eco-ATWB 8.5x18	(2) 6	(2) 9	(2) 12
eco-ATWB 8.5x21	(2) 7	(2) 12	(2) 15
eco-ATWB 8.5x24	(4) 4	(4) 7	(4) 9
eco-ATWB 8.5x28	(4) 5	(4) 7	(4) 10
eco-ATWB 17x12	(4) 4	(4) 7	(4) 9
eco-ATWB 17x14	(4) 5	(4) 7	(4) 10
eco-ATWB 3mx12	(2) 5	(2) 8	(2) 10
eco-ATWB 3mx18	(2) 7	(2) 12	(2) 15
eco-ATWB 3mx24	(4) 5	(4) 8	(4) 10
eco-ATWB 3mx36	(4) 7	(4) 12	(4) 15
eco-ATWB 3mx36	(6) 5	(6) 8	(6) 10
eco-ATWB 3mx54	(6) 7	(6) 12	(6) 15
eco-ATWB 6mx12	(4) 5	(4) 8	(4) 10
eco-ATWB 6mx18	(4) 7	(4) 12	(4) 15
eco-ATWB 6mx24	(4) 10	(4) 15	(4) 20
eco-ATWB 6mx36	(4) 15	(6) 15	(6) 20

eco-Coolers Heater Sizes *

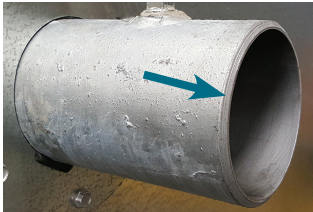
Unit No.	0°F kW	-20°F kW	-40°F kW
eco-ATWB 12x12	(2) 6	(2) 9	(2) 12
eco-ATWB 12x14	(2) 7	(2) 10	(2) 15
eco-ATWB 12x18	(2) 9	(2) 15	(2) 18
eco-ATWB 12x20	(2) 10	(2) 15	(3) 15
eco-ATWB 12x24	(4) 6	(4) 9	(4) 12
eco-ATWB 12x28	(4) 7	(4) 10	(4) 15
eco-ATWB 12x36	(4) 9	(4) 15	(4) 18
eco-ATWB 12x40	(4) 10	(4) 15	(6) 15
eco-ATWB 24x12	(4) 6	(4) 9	(4) 12
eco-ATWB 24x14	(4) 7	(4) 10	(4) 15
eco-ATWB 24x18	(4) 9	(4) 15	(4) 18
eco-ATWB 24x20	(4) 10	(4) 15	(4) 20
eco-ATWB 24x24	(4) 12	(4) 18	(6) 15
eco-ATWB 24x28	(4) 15	(4) 20	(6) 18
eco-ATWB 24x36	(4) 18	(6) 18	(8) 18
eco-ATWB 24x40	(4) 20	(6) 20	(8) 20

* Electric heater selection based on ambient air temperature shown.



NOTE: Heater control packages that include contactor, transformer, or disconnects are also available; speak to your local EVAPCO sales representative to learn more about these options.

Coil Connection Options



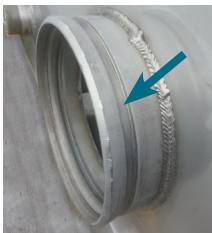
Beveled For Weld (BFW) Coil Connections

EVAPCO Closed Circuit Coolers are provided with Beveled For Weld (BFW) coil connections as standard. Beveled edges simplify field welding and allow welds to fully penetrate.



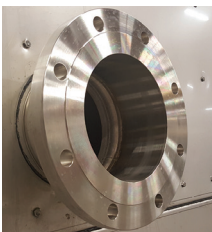
Optional Factory Mounted Crossover Piping

Some EVAPCO Closed Circuit Coolers are design for "series flow" coil operation where the coils inside of one cell are operated in series. These units are denoted by a "-Z" following the unit model number. These units require "crossover piping" from one coil to the other. As an option, this piping can be installed in the factory for simplified field installation.



Optional Grooved Coil Connections

Grooved connections can be provided as an optional coil connection. The groove allows for a mechanical coupling allowing for faster and easier field piping.



Optional Flanged Coil Connections

150# Raised Faced Flanged connections can be provided as an optional coil connection. The flanged coil connection allows for faster and easier field piping to a mating flanged connection. 300# flanged can be provided in some cases. Please see your local sales representative.



Optional Nitrogen Charged Coils

For projects requiring long term storage or ocean freight, coils can be nitrogen charged at the factory to prevent corrosion inside of the coil circuits.



Optional Male Pipe Thread (MPT) Coil Connections

Male Pipe Thread connections can be provided as an optional connection for mating with Female Pipe Thread (FPT) piping.

Note: All coil connections are constructed from the same material as the coil.

Heat Exchanger Coil / Discharge Hood Dimensions

Heat Exchanger Coil

The simplest and most foolproof method of protecting the heat exchanger coil from freeze-up is to use a glycol solution. If this is not possible, an auxiliary heat load must be maintained on the coil at all times so that the water temperature does not drop below 50°F when the cooler is shut down. Also, a minimum recommended flow rate per unit must be maintained. Refer to Heat Loss Data Tables on pages 26-27 for heat loss data.

Minimum Flows	Standard Flow GPM	Series Flow GPM
4' Wide Models		
eco-ATWB 4x6 to 4x12	-	37
7' Wide Models		
eco-ATWB 7x9 to 7x18	140	70
eco-ATWB 7x24 to 7x36	280	140
8-1/2' Wide Models		
eco-ATWB 9x8 to 9x21	160	80
10' Wide Models		
eco-ATWB 10x12 to 10x18	188	94
eco-ATWB 10x24 to 10x36	376	188
12' Wide Models		
eco-ATWB 12x12 to 12x20	232	116
eco-ATWB 12x24 to 12x40	464	232
14' Wide Models		
eco-ATWB 14x9 to 14x18	280	140
17' Wide Models		
eco-ATWB 17x12 to 17x14	320	160
20' Wide Models		
eco-ATWB 20x12 to 20x18	376	188
eco-ATWB 20x24 to 20x36	752	376
24' Wide Models		
eco-ATWB 24x12 to 24x20	464	232
eco-ATWB 24x24 to 24x40	928	464

Discharge Hoods with Positive Closure Dampers

When a closed circuit cooler is used in a water-to-air heat pump system or in certain process cooling applications, a method of reducing the heat loss during idle periods of wintertime operation may be required. For these cases, an optional discharge hood with positive closure dampers and damper actuator is available.

The discharge hood with dampers is designed to minimize the heat loss from convective airflow through an idle cooler. Further reductions in heat loss may be obtained with the addition of insulation to the hood and casing, minimizing conductive heat losses. Insulation may be factory installed on the hood and casing or field installed by an insulation contractor.

The discharge hood and dampers are constructed of hot-dip galvanized steel. Hoods are equipped with access panels to facilitate maintenance of the eliminators and water distribution system. The dampers, damper actuator and linkage are all factory assembled. Actuator controls and wiring are field supplied by others. Damper actuators require 120 volt power supply.

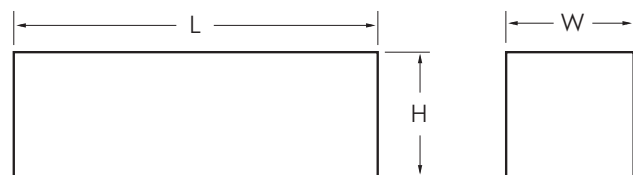
The system control sequence should allow for dampers to be fully open before the fans are running and closed when the fans are off; the damper actuator must be interlocked with the temperature control system for this purpose.

Heat loss data is provided for standard units without hoods, with hoods and with hoods and insulation. Table ratings are based on 50°F water in the coil, -10°F ambient and 45 MPH winds (fan and pump off).

Discharge Hood Dimensions

Model	L	H*	W	Weight	Number of Hoods
eco-ATWB 4x6	5' 11-7/8"	1' 6"	4' 1/4"	360	1
eco-ATWB 4x9	8' 11-1/2"	1' 6"	4' 1/4"	510	1
eco-ATWB 4x12	11' 11-3/4"	1' 6"	4' 1/4"	660	1
eco-ATWB 9x8	7' 5-7/8"	1' 4"	8' 5-1/2"	850	1
eco-ATWB 9x9	8' 11-3/8"	1' 4"	8' 5-1/2"	980	1
eco-ATWB 9x11 eco-ATWB 9x12 eco-ATWB 9x14	10' 5-1/2"	1' 4"	8' 5-1/2"	1,140	1
eco-ATWB 9x18	8' 11-1/2"	1' 4"	8' 5-1/2"	1,960	2
eco-ATWB 9x21	10' 5-1/2"	1' 4"	8' 5-1/2"	2,280	2
eco-ATWB 17x12 eco-ATWB 17x14	10' 5-1/2"	1' 4"	8' 5-1/2"	2,120	2
eco-ATWB 10x12 eco-ATWB 10x18	11' 11-5/8"	1' 2"	10' 2-1/4"	1,730	1
eco-ATWB 10x24 eco-ATWB 10x36 eco-ATWB 20x12 eco-ATWB 20x18	11' 11-5/8"	1' 2"	10' 2-1/4"	3,460	2
eco-ATWB 20x24 eco-ATWB 20x36	11' 11-5/8"	1' 2"	10' 2-1/4"	6,920	4
eco-ATWB 12x12 eco-ATWB 12x14 eco-ATWB 12x18 eco-ATWB 12x20	11' 11-3/4"	1' 2"	11' 10"	1,800	1
eco-ATWB 12x24 eco-ATWB 12x28 eco-ATWB 12x36 eco-ATWB 12x40	11' 11-3/4"	1' 2"	11' 10"	3,600	2
eco-ATWB 24x12 eco-ATWB 24x14 eco-ATWB 24x18 eco-ATWB 24x20	11' 11-3/4"	1' 2"	11' 10"	3,600	2
eco-ATWB 24x24 eco-ATWB 24x28 eco-ATWB 24x36 eco-ATWB 24x40	11' 11-3/4"	1' 2"	11' 10"	7,200	4

* Overall unit height will be height of the base unit plus the H dimension.



Heat Loss Data, MBH

eco-ATWB Model	Standard Unit	Unit w/Hood	Hood and Insulation	eco-ATWB Model	Standard Unit	Unit w/Hood	Hood and Insulation	eco-ATWB Model	Standard Unit	Unit w/Hood	Hood and Insulation	eco-ATWB Model	Standard Unit	Unit w/Hood	Hood and Insulation
4-3x6	225	54	35	9-3x11	866	134	86	12-3x20	2420	292	187	20-3x18	3525	375	240
4-4x6	272	59	38	9-4x11	1049	143	91	12-4x20	2930	309	198	20-4x18	4268	395	253
4-5x6	306	64	41	9-5x11	1178	152	97	12-5x20	3291	326	209	20-5x18	4794	416	266
4-3x9	342	73	46	9-6x11	1254	161	103	12-6x20	3504	343	220	20-6x18	5104	436	279
4-4x9	414	79	50	9-7x11	1277	168	107	12-7x20	3568	343	220	20-7x18	5197	436	279
4-5x9	465	85	54	9-3x12	993	147	94	12-3x24	2880	335	215	20-3x24	4667	458	293
4-3x12	459	91	58	9-4x12	1202	156	100	12-4x24	3486	354	227	20-4x24	5650	482	308
4-4x12	556	98	63	9-5x12	1350	166	106	12-5x24	3916	374	239	20-5x24	6347	505	324
4-5x12	625	106	68	9-6x12	1438	176	112	12-6x24	4169	393	252	20-6x24	6757	529	339
7-3x9	647	-	-	9-7x12	1464	183	117	12-7x24	4246	393	252	20-7x24	6881	529	339
7-4x9	783	-	-	9-3x14	1162	163	105	12-3x28	3370	378	242	20-3x36	7051	624	400
7-5x9	880	-	-	9-4x14	1407	174	112	12-4x28	4080	400	256	20-4x36	8536	654	419
7-6x9	937	-	-	9-5x14	1580	185	118	12-5x28	4583	421	270	20-5x36	9588	684	438
7-7x9	954	-	-	9-6x14	1682	195	125	12-6x28	4879	443	284	20-6x36	10208	714	457
7-3x12	869	-	-	9-7x14	1713	204	130	12-7x28	4968	443	284	20-7x36	10394	714	457
7-4x12	1052	-	-	9-3x18	1500	197	126	12-3x36	4351	465	298	24-3x12	2880	335	215
7-5x12	1182	-	-	9-4x18	1816	210	134	12-4x36	5267	491	314	24-4x12	3486	354	227
7-6x12	1258	-	-	9-5x18	2040	222	143	12-5x36	5916	516	331	24-5x12	3916	374	239
7-7x12	1281	-	-	9-6x18	2172	235	151	12-6x36	6298	542	347	24-6x12	4169	393	252
7-3x14	1017	-	-	9-7x18	2212	245	157	12-7x36	6414	542	347	24-7x12	4246	393	252
7-4x14	1231	-	-	9-3x21	1754	223	143	12-3x40	4841	508	326	24-3x14	3370	366	234
7-5x14	1383	-	-	9-4x21	2123	237	152	12-4x40	5860	536	343	24-4x14	4080	386	247
7-6x14	1472	-	-	9-5x21	2385	251	161	12-5x40	6583	564	361	24-5x14	4583	407	260
7-7x14	1499	-	-	9-6x21	2539	265	170	12-6x40	7008	592	379	24-6x14	4879	427	273
7-3x18	1313	-	-	9-7x21	2585	275	176	12-7x40	7136	592	379	24-7x14	4968	427	273
7-4x18	1589	-	-	10-3x12	1167	184	118	14-3x9	1294	-	-	24-3x18	4351	427	274
7-5x18	1785	-	-	10-4x12	1413	195	125	14-4x9	1567	-	-	24-4x18	5267	450	288
7-6x18	1900	-	-	10-5x12	1587	207	133	14-5x9	1760	-	-	24-5x18	5916	472	303
7-7x18	1935	-	-	10-6x12	1689	219	140	14-6x9	1874	-	-	24-6x18	6298	495	317
7-3x24	1738	-	-	10-7x12	1720	219	140	14-7x9	1908	-	-	24-7x18	6414	495	317
7-4x24	2104	-	-	10-3x18	1763	244	156	14-3x12	1738	-	-	24-3x20	4841	458	293
7-5x24	2363	-	-	10-4x18	2134	259	166	14-4x12	2104	-	-	24-4x20	5860	482	308
7-6x24	2516	-	-	10-5x18	2397	274	176	14-5x12	2363	-	-	24-5x20	6583	505	324
7-7x24	2562	-	-	10-6x18	2552	289	185	14-6x12	2516	-	-	24-6x20	7008	529	339
7-3x28	2034	-	-	10-7x18	2599	289	185	14-7x12	2562	-	-	24-7x20	7136	529	339
7-4x28	2462	-	-	10-3x24	2334	304	195	14-3x14	2034	-	-	24-3x24	5760	519	333
7-5x28	2766	-	-	10-4x24	2825	323	207	14-4x14	2462	-	-	24-4x24	6973	545	349
7-6x28	2944	-	-	10-5x24	3174	341	218	14-5x14	2766	-	-	24-5x24	7832	571	366
7-7x28	2998	-	-	10-6x24	3379	359	230	14-6x14	2944	-	-	24-6x24	8339	597	382
7-3x36	2625	-	-	10-7x24	3440	359	230	14-7x14	2998	-	-	24-7x24	8491	597	382
7-4x36	3178	-	-	10-3x36	3525	425	272	14-3x18	2625	-	-	24-3x28	6740	581	372
7-5x36	3570	-	-	10-4x36	4268	450	288	14-4x18	3178	-	-	24-4x28	8160	609	390
7-6x36	3801	-	-	10-5x36	4794	474	304	14-5x18	3570	-	-	24-5x28	9166	637	408
7-7x36	3870	-	-	10-6x36	5104	499	320	14-6x18	3801	-	-	24-6x28	9758	664	426
9-3x8	606	104	67	10-7x36	5197	499	320	14-7x18	3870	-	-	24-7x28	9937	664	426
9-4x8	733	111	71	12-3x12	1440	205	131	17-3x12	1986	230	147	24-3x36	8701	704	451
9-5x8	824	119	76	12-4x12	1743	218	140	17-4x12	2404	244	156	24-4x36	10534	736	471
9-6x8	877	127	81	12-5x12	1958	231	148	17-5x12	2701	257	165	24-5x36	11832	768	492
9-7x8	893	132	85	12-6x12	2085	244	156	17-6x12	2875	271	174	24-6x36	12597	800	513
9-3x9	740	121	78	12-7x12	2123	244	156	17-7x12	2928	282	180	24-7x36	12827	800	513
9-4x9	895	129	83	12-3x14	1685	227	145	17-3x14	2324	253	162	24-3x40	9682	765	490
9-5x9	1006	138	88	12-4x14	2040	241	154	17-4x14	2814	268	172	24-4x40	11720	799	512
9-6x9	1071	146	93	12-5x14	2291	255	163	17-5x14	3161	283	181	24-5x40	13165	834	534
9-7x9	1090	152	98	12-6x14	2439	269	172	17-6x14	3365	297	190	24-6x40	14016	868	556
				12-7x14	2484	269	172	17-7x14	3426	308	198	24-7x40	14272	868	556
				12-3x18	2175	270	173	20-3x12	2334	292	187				
				12-4x18	2633	286	183	20-4x12	2825	309	198				
				12-5x18	2958	302	194	20-5x12	3174	326	209				
				12-6x18	3149	318	204	20-6x12	3379	343	220				
				12-7x18	3207	318	204	20-7x12	3440	343	220				

eco-ATWB-H Model	Standard Unit	Unit w/Hood	Hood and Insulation
9-3x8	912	-	-
9-4x8	1039	-	-
9-5x8	1130	-	-
9-6x8	1183	-	-
9-7x8	1199	-	-
9-3x9	1107	174	112
9-4x9	1262	183	117
9-5x9	1373	191	122
9-6x9	1438	199	128
9-7x9	1457	206	132
9-3x11	1295	192	123
9-4x11	1477	201	129
9-5x11	1606	210	134
9-6x11	1683	219	140
9-7x11	1706	226	145
9-3x12	1483	209	134
9-4x12	1692	219	140
9-5x12	1840	228	146
9-6x12	1927	238	153
9-7x12	1954	246	157
9-3x14	1733	232	149
9-4x14	1978	243	155
9-5x14	2151	253	162
9-6x14	2254	264	169
9-7x14	2284	272	174
9-3x18	2235	278	178
9-4x18	2551	291	186
9-5x18	2774	303	194
9-6x18	2906	316	202
9-7x18	2946	325	208
9-3x21	2611	313	200
9-4x21	2980	327	209
9-5x21	3242	341	218
9-6x21	3396	355	227
9-7x21	3442	365	234
10-3x12	1743	251	161
10-4x12	1989	262	168
10-5x12	2163	274	176
10-6x12	2265	286	183
10-7x12	2296	286	183
10-3x18	2627	329	211
10-4x18	2998	344	221
10-5x18	3261	359	230
10-6x18	3416	374	240
10-7x18	3463	374	240
10-3x24	3486	408	261
10-4x24	3977	426	273
10-5x24	4326	445	285
10-6x24	4531	463	296
10-7x24	4592	463	296
10-3x36	5253	565	362
10-4x36	5996	590	378
10-5x36	6522	615	394
10-6x36	6832	639	410
10-7x36	6925	639	410

eco-ATWB-H Model	Standard Unit	Unit w/Hood	Hood and Insulation
12-3x12	2131	278	178
12-4x12	2434	291	187
12-5x12	2649	304	195
12-6x12	2776	317	203
12-7x12	2814	317	203
12-3x14	2491	306	196
12-4x14	2846	320	205
12-5x14	3098	334	214
12-6x14	3246	348	223
12-7x14	3291	348	223
12-3x18	3212	362	232
12-4x18	3670	378	242
12-5x18	3995	394	252
12-6x18	4186	410	263
12-7x18	4244	410	263
12-3x20	3572	389	249
12-4x20	4082	407	260
12-5x20	4443	424	271
12-6x20	4656	441	282
12-7x20	4720	441	282
12-3x24	4262	445	285
12-4x24	4869	464	297
12-5x24	5299	483	310
12-6x24	5552	503	322
12-7x24	5628	503	322
12-3x28	4983	500	321
12-4x28	5693	522	334
12-5x28	6196	543	348
12-6x28	6492	565	362
12-7x28	6581	565	362
12-3x36	6424	611	392
12-4x36	7340	637	408
12-5x36	7990	663	425
12-6x36	8372	689	441
12-7x36	8487	689	441
12-3x40	7145	667	427
12-4x40	8164	695	445
12-5x40	8887	723	463
12-6x40	9312	750	481
12-7x40	9440	750	481

eco-ATWB-H Model	Standard Unit	Unit w/Hood	Hood and Insulation
17-3x12	2965	318	204
17-4x12	3384	332	213
17-5x12	3680	346	221
17-6x12	3855	359	230
17-7x12	3907	370	237
17-3x14	3467	348	223
17-4x14	3956	362	232
17-5x14	4303	377	242
17-6x14	4507	392	251
17-7x14	4569	403	258
20-3x12	3486	389	249
20-4x12	3977	407	260
20-5x12	4326	424	271
20-6x12	4531	441	282
20-7x12	4592	441	282
20-3x18	5253	491	314
20-4x18	5996	511	327
20-5x18	6522	532	340
20-6x18	6832	552	354
20-7x18	6925	552	354
20-3x24	6971	592	379
20-4x24	7954	616	394
20-5x24	8651	639	410
20-6x24	9061	663	425
20-7x24	9185	663	425
20-3x36	10507	795	509
20-4x36	11992	825	528
20-5x36	13044	855	548
20-6x36	13664	885	567
20-7x36	13850	885	567

eco-ATWB-H Model	Standard Unit	Unit w/Hood	Hood and Insulation
24-3x12	4262	445	285
24-4x12	4869	464	297
24-5x12	5299	483	310
24-6x12	5552	503	322
24-7x12	5628	503	322
24-3x14	4983	482	309
24-4x14	5693	502	322
24-5x14	6196	522	335
24-6x14	6492	543	348
24-7x14	6581	543	348
24-3x18	6424	555	356
24-4x18	7340	578	370
24-5x18	7990	600	385
24-6x18	8372	623	399
24-7x18	8487	623	399
24-3x20	7145	592	379
24-4x20	8164	616	394
24-5x20	8887	639	410
24-6x20	9312	663	425
24-7x20	9440	663	425
24-3x24	8525	666	427
24-4x24	9738	692	443
24-5x24	10597	717	459
24-6x24	11103	743	476
24-7x24	11256	743	476
24-3x28	9966	739	474
24-4x28	11385	767	492
24-5x28	12391	795	509
24-6x28	12984	823	527
24-7x28	13162	823	527
24-3x36	12848	887	568
24-4x36	14681	919	589
24-5x36	15979	951	609
24-6x36	16744	983	630
24-7x36	16974	983	630
24-3x40	14290	960	615
24-4x40	16328	995	637
24-5x40	17773	1029	659
24-6x40	18624	1063	681
24-7x40	18880	1063	681

Design

EVAPCO closed circuit coolers are of heavy-duty construction and designed for long trouble-free operation. Proper equipment selection, installation and maintenance is, however, necessary to ensure full unit performance. Some of the major considerations in the application of a cooler are presented below. For additional information, contact the factory.

Air Circulation

It is important that proper air circulation be provided. The best location is on an unobstructed roof top or on ground level away from walls and other barriers. Those closed circuit coolers located in wells, enclosures or adjacent to high walls must be properly located to avoid the problems associated with recirculation.

Recirculation raises the wet bulb temperature of the entering air causing the water temperature to rise above the design. For these cases, the discharge of the unit should be located at a height even with the adjacent wall, thereby reducing the chance of recirculation. For additional information, see the EVAPCO equipment layout manual.

Good engineering practice dictates that the closed circuit cooler discharge air not be directed or located close to or in the vicinity of building air intakes.

Piping

Cooler piping should be designed and installed in accordance with generally accepted engineering practices. The piping layout should be symmetrical on multiple unit systems, and sized for a reasonably low water velocity and pressure drop.

The standard closed circuit cooler is recommended only on a closed, pressurized system. The piping system should include an expansion tank to allow for fluid expansion and purging air from the system.

Note: closed circuit coolers should never be used on an open type system. An open type system with a cooler may result in premature coil failure.

The piping system should be designed to permit complete drainage of the heat exchanger coil. This will require a vacuum breaker or air vent to be installed at the high point and a drain valve installed at the low point of the piping system. Both must be adequately sized.

All piping should be securely anchored by properly designed hangers and supports. No external loads should be placed upon the cooler connections, nor should any of the pipe supports be anchored to the cooler framework.

Recirculating Water Quality

Proper water treatment is an essential part of the maintenance required for evaporative cooling equipment. A well designed and consistently implemented water treatment program will help to ensure efficient system operation while maximizing the equipment's service life. **If EVAPCO factory mounted water systems are not utilized**, a qualified water treatment company should design a site specific water treatment protocol based on equipment (including all metallurgies in the cooling system), location, makeup water quality, and usage.

Bleed off

Evaporative cooling equipment requires a bleed or blowdown line, located on the discharge side of the recirculating pump, to remove concentrated (cycled up) water from the system. EVAPCO recommends an automated conductivity controller to maximize the water efficiency of your system. **If EVAPCO factory mounted water systems are not utilized**, based on recommendations from your water treatment company, the conductivity controller should open and close a motorized ball or solenoid valve to maintain the conductivity of the recirculating water. If a manual valve is used to control the rate of bleed it should be set to maintain the conductivity of the recirculating water during periods of peak load at the maximum level recommended by your water treatment company.

Water Treatment

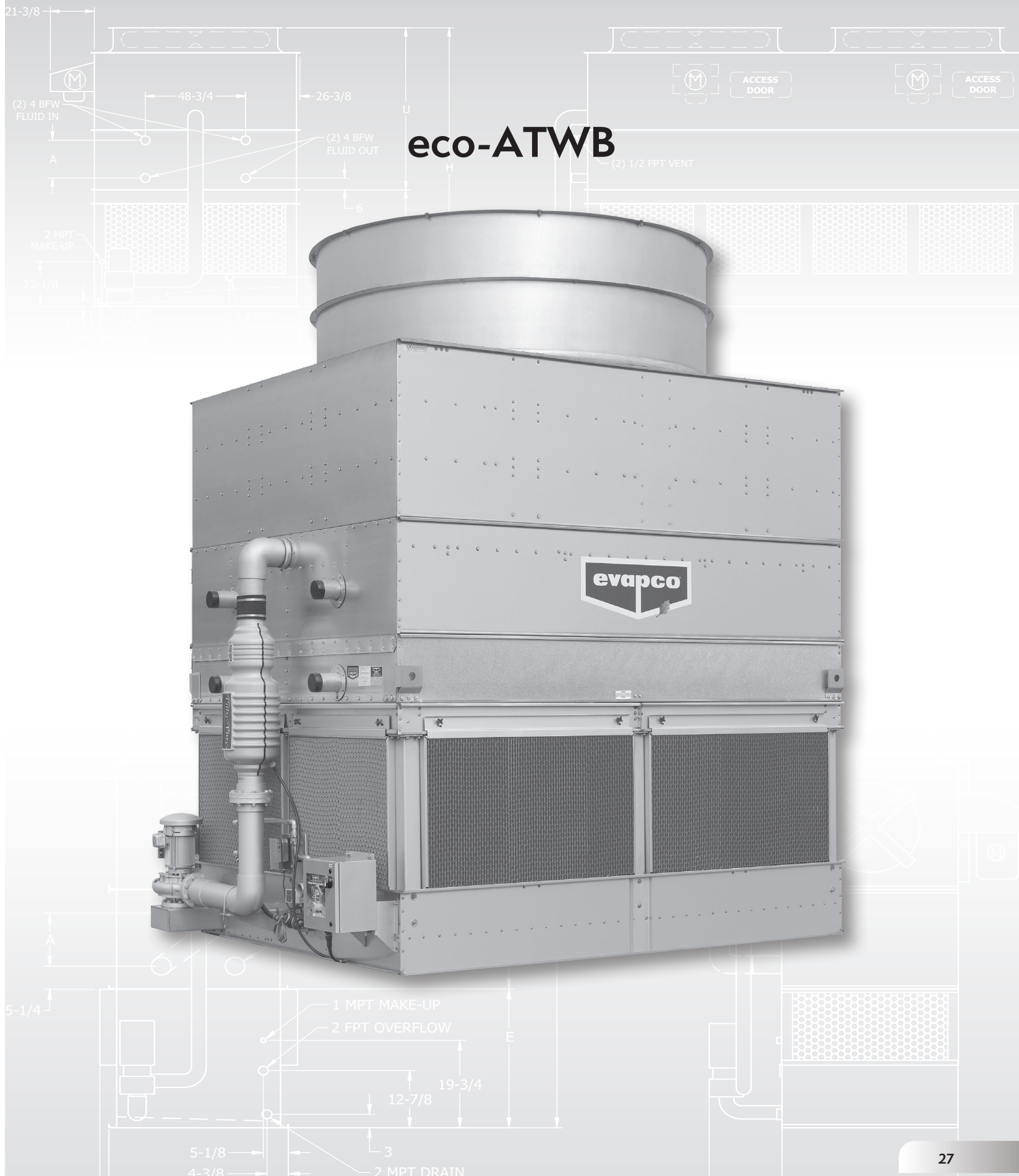
The water treatment program prescribed for the given conditions must be compatible with the unit's materials of construction, including any galvanized components. The initial commissioning and passivation period is a critical time for maximizing the service life of galvanized equipment. EVAPCO recommends that the site specific water treatment protocol includes a passivation procedure which details water chemistry, any necessary chemical addition, and visual inspections during the first six (6) to twelve (12) weeks of operation. During this passivation period, recirculating water pH should be maintained above 7.0 and below 8.0 at all times. Batch feeding of chemicals is not recommended.

Control of Biological Contaminants

Evaporative cooling equipment should be inspected regularly to ensure good microbiological control. Inspections should include both monitoring of microbial populations via culturing techniques and visual inspections for evidence of biofouling.

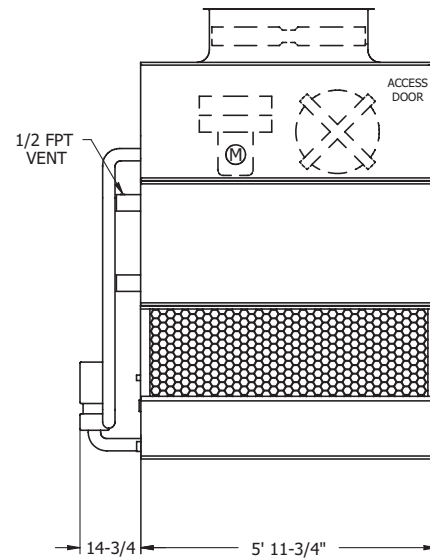
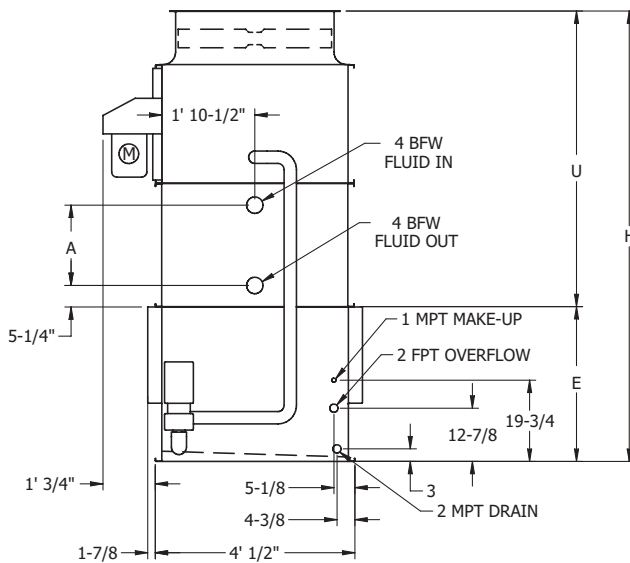
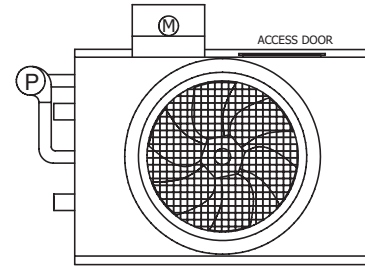
Poor microbiological control can result in loss of heat transfer efficiency, increase corrosion potential, and increase the risk of pathogens such as those that cause Legionnaires' disease. Your site specific water treatment protocol should include procedures for routine operation, startup after a shut-down period, and system lay-up, if applicable. If excessive microbiological contamination is detected, a more aggressive mechanical cleaning and/or water treatment program should be undertaken.

Thermal Performance - Engineering Data & Dimensions



eco-ATWB 4-3E to 4-5G6

Selections for eco-ATWB Closed Circuit Coolers are available from EVAPCO's **SPECTRUM™** Program. Please contact your local sales representative for more information on the **SPECTRUM™** program.



Note: The number of coil connections doubles when the flow rate exceeds 450 GPM on 4x6 models. This required option is referred to as the High Flow coil configuration.

eco-ATWB Model Number†	Weights (lbs)			Fans		Spray Pump		Coil Volume (Gallons)	Remote Sump △			Dimensions ■			
	Shipping	Heaviest Section††	Operating	HP	CFM	HP	GPM		Gallons* Required	Conn. Size	Operating Weight (lbs)	Coil A	Upper U	Lower E	Height H
eco-ATWB 4-3E6	3,190	2,680	4,710	2	10,990	3/4	135	52	120	6"	4,250	19-1/2"	5' 11-3/4"	3' 1-5/8"	9' 1-3/8"
eco-ATWB 4-3F6	3,220	2,710	4,740	3	12,580	3/4	135	52	120	6"	4,280	19-1/2"	5' 11-3/4"	3' 1-5/8"	9' 1-3/8"
eco-ATWB 4-3G6	3,230	2,720	4,750	5	14,590	3/4	135	52	120	6"	4,290	19-1/2"	5' 11-3/4"	3' 1-5/8"	9' 1-3/8"
eco-ATWB 4-4E6	3,700	3,190	5,350	2	10,670	3/4	135	67	120	6"	4,890	27"	6' 7-1/4"	3' 1-5/8"	9' 8-7/8"
eco-ATWB 4-4F6	3,730	3,220	5,380	3	12,210	3/4	135	67	120	6"	4,920	27"	6' 7-1/4"	3' 1-5/8"	9' 8-7/8"
eco-ATWB 4-4G6	3,740	3,230	5,390	5	14,160	3/4	135	67	120	6"	4,930	27"	6' 7-1/4"	3' 1-5/8"	9' 8-7/8"
eco-ATWB 4-5E6	4,250	3,740	6,020	2	10,350	3/4	135	83	120	6"	5,560	34-1/2"	7' 2-3/4"	3' 1-5/8"	10' 4-3/8"
eco-ATWB 4-5F6	4,280	3,770	6,050	3	11,840	3/4	135	83	120	6"	5,590	34-1/2"	7' 2-3/4"	3' 1-5/8"	10' 4-3/8"
eco-ATWB 4-5G6	4,290	3,780	6,060	5	13,740	3/4	135	83	120	6"	5,600	34-1/2"	7' 2-3/4"	3' 1-5/8"	10' 4-3/8"

† Model Numbers end in "-Z" for units with Series Flow piping configuration. Series Flow units may require additional coil connections and will require crossover piping. Model numbers will include "R" for units with Low Sound Fan(s) and "S" for units with an option that negates CTI certification.

†† Heaviest section is the coil/fan section.

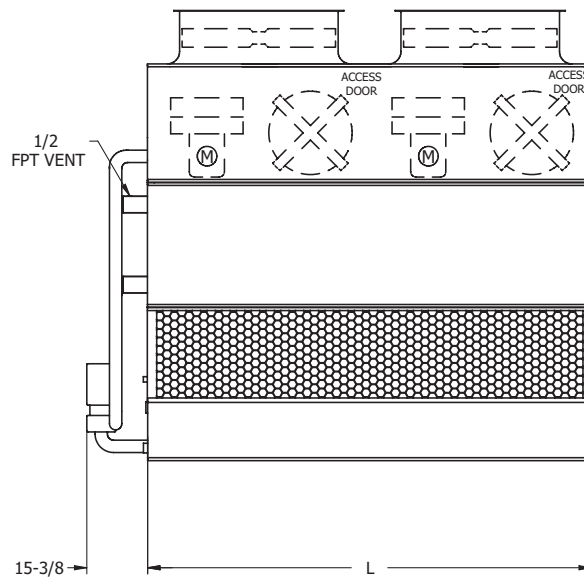
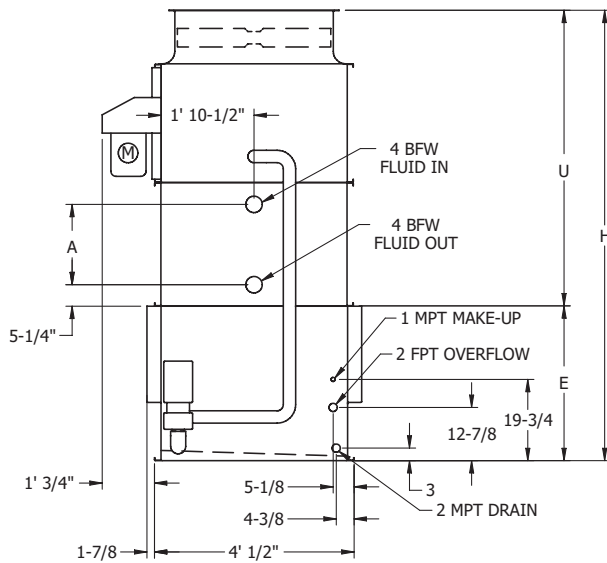
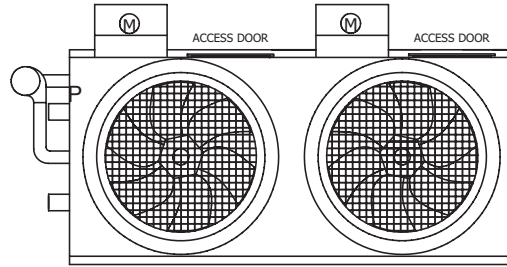
* Gallons shown is water in suspension in unit and piping. Allow for additional water in bottom of remote sump to cover pump suction and strainer during operation (12" would normally be sufficient).

△ When a remote sump arrangement is selected, the spray pump, suction strainer and associated piping are omitted; the unit is provided with an oversized outlet to facilitate drainage to the remote sump.

■ Unit dimensions and coil connections may vary slightly from catalog. See factory certified prints for dimensions, quantity of coil connections, and piping configuration. Coil connections are 4" bevel for weld (BFW). Other connection types such as grooved for mechanical coupling or flanged are also available as options.

eco-ATWB 4-3E9 to 4-5F9 eco-ATWB 4-3E12 to 4-5G12

Selections for eco-ATWB Closed Circuit Coolers are available from EVAPCO's **SPECTRUM™** Program. Please contact your local sales representative for more information on the **SPECTRUM™** program.



Note: The number of coil connections doubles when the flow rate exceeds 450 GPM on eco-ATW 4x9 and 4x12 models. This required option is referred to as the High Flow coil configuration.

eco-ATWB Model Number†	Weights (lbs)			Fans		Spray Pump		Coil Volume (Gallons)	Remote Sump ▲			Dimensions ■			
	Shipping	Heaviest Section††	Operating	HP	CFM	HP	GPM		Gallons* Required	Conn. Size	Operating Weight (lbs)	Coil A	Upper U	Lower E	Height H
eco-ATWB 4-3E9	4,710	4,040	6,910	(2) 2	18,110	1	200	76	180	6"	6,290	19-1/2"	5' 11-3/4"	3' 1-5/8"	9' 1-3/8"
eco-ATWB 4-3F9	4,770	4,100	6,970	(2) 3	20,520	1	200	76	180	6"	6,350	19-1/2"	5' 11-3/4"	3' 1-5/8"	9' 1-3/8"
eco-ATWB 4-4E9	5,460	4,790	7,850	(2) 2	17,580	1	200	99	180	6"	7,230	27"	6' 7-1/4"	3' 1-5/8"	9' 8-7/8"
eco-ATWB 4-4F9	5,520	4,850	7,910	(2) 3	19,920	1	200	99	180	6"	7,290	27"	6' 7-1/4"	3' 1-5/8"	9' 8-7/8"
eco-ATWB 4-5E9	6,270	5,600	8,860	(2) 2	17,060	1	200	122	180	6"	8,240	34-1/2"	7' 2-3/4"	3' 1-5/8"	10' 4-3/8"
eco-ATWB 4-5F9	6,330	5,660	8,920	(2) 3	19,320	1	200	122	180	6"	8,300	34-1/2"	7' 2-3/4"	3' 1-5/8"	10' 4-3/8"
eco-ATWB 4-3E12	5,760	4,940	8,660	(2) 2	21,990	1.5	270	100	230	8"	7,880	19-1/2"	5' 11-3/4"	3' 1-5/8"	9' 1-3/8"
eco-ATWB 4-3F12	5,820	5,000	8,720	(2) 3	25,170	1.5	270	100	230	8"	7,940	19-1/2"	5' 11-3/4"	3' 1-5/8"	9' 1-3/8"
eco-ATWB 4-3G12	5,840	5,020	8,740	(2) 5	29,190	1.5	270	100	230	8"	7,960	19-1/2"	5' 11-3/4"	3' 1-5/8"	9' 1-3/8"
eco-ATWB 4-4E12	6,780	5,960	9,940	(2) 2	21,350	1.5	270	131	230	8"	9,160	27"	6' 7-1/4"	3' 1-5/8"	9' 8-7/8"
eco-ATWB 4-4F12	6,840	6,020	10,000	(2) 3	24,440	1.5	270	131	230	8"	9,220	27"	6' 7-1/4"	3' 1-5/8"	9' 8-7/8"
eco-ATWB 4-4G12	6,860	6,040	10,020	(2) 5	28,340	1.5	270	131	230	8"	9,240	27"	6' 7-1/4"	3' 1-5/8"	9' 8-7/8"
eco-ATWB 4-5E12	7,860	7,040	11,280	(2) 2	20,710	1.5	270	162	230	8"	10,500	34-1/2"	7' 2-3/4"	3' 1-5/8"	10' 4-3/8"
eco-ATWB 4-5F12	7,920	7,100	11,340	(2) 3	23,700	1.5	270	162	230	8"	10,560	34-1/2"	7' 2-3/4"	3' 1-5/8"	10' 4-3/8"
eco-ATWB 4-5G12	7,940	7,120	11,360	(2) 5	27,490	1.5	270	162	230	8"	10,580	34-1/2"	7' 2-3/4"	3' 1-5/8"	10' 4-3/8"

† Model Numbers end in "-Z" for units with Series Flow piping configuration. Series Flow units may require additional coil connections and will require crossover piping. Model numbers will include "R" for units with Low Sound Fan(s) and "S" for units with an option that negates CTI certification.

†† Heaviest section is the coil/fan section.

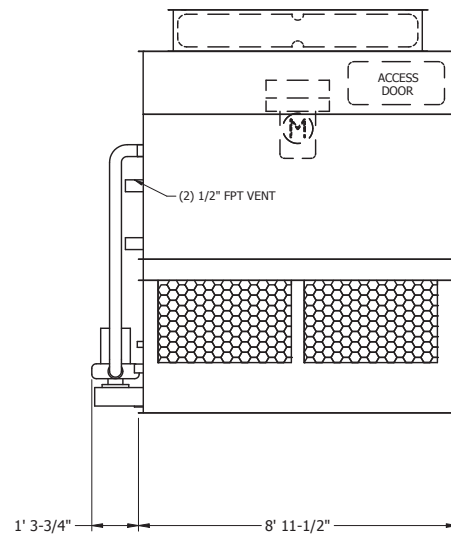
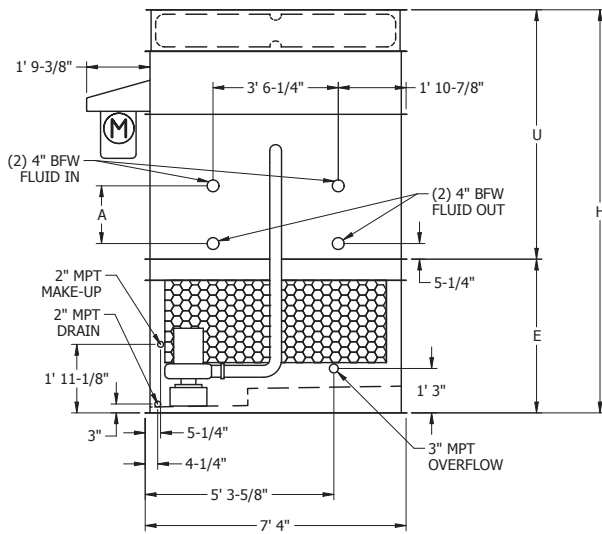
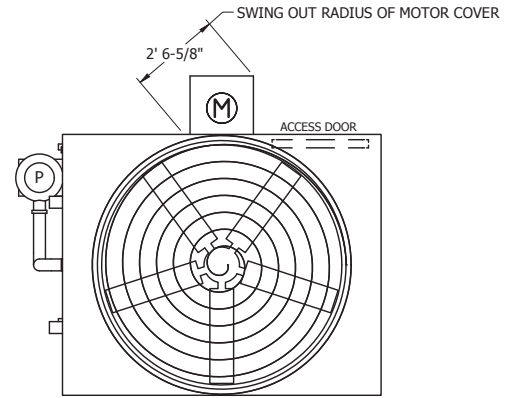
* Gallons shown is water in suspension in unit and piping. Allow for additional water in bottom of remote sump to cover pump suction and strainer during operation (12" would normally be sufficient).

▲ When a remote sump arrangement is selected, the spray pump, suction strainer and associated piping are omitted; the unit is provided with an oversized outlet to facilitate drainage to the remote sump.

■ Unit dimensions and coil connections may vary slightly from catalog. See factory certified prints for dimensions, quantity of coil connections, and piping configuration. Coil connections are 4" bevel for weld (BFW). Other connection types such as grooved for mechanical coupling or flanged are also available as options.

eco-ATWB 7-3H9 to 7-6J9

Selections for eco-ATWB Closed Circuit Coolers are available from EVAPCO's **SPECTRUM™** Program. Please contact your local sales representative for more information on the **SPECTRUM™** program.



Note: The number of coil connections doubles when the flow rate exceeds 900 GPM on eco-ATWB 7x9 models. This required option is referred to as the High Flow coil configuration.

eco-ATWB Model Number†	Weights (lbs)			Fans		Spray Pump		Coil Volume (Gallons)	Remote Sump ▲			Dimensions ■			
	Shipping	Heaviest Section††	Operating	HP	CFM	HP	GPM		Gallons* Required	Conn. Size	Operating Weight (lbs)	Coil A	Upper U	Lower E	Height H
eco-ATWB 7-3H9	8,810	7,220	11,340	7.5	34,120	2	410	144	120	8"	10,170	19-1/2"	7' 1/4"	4' 3-7/8"	11' 4-1/8"
eco-ATWB 7-3I9	8,830	7,240	11,360	10	37,420	2	410	144	120	8"	10,190	19-1/2"	7' 1/4"	4' 3-7/8"	11' 4-1/8"
eco-ATWB 7-4I9	10,260	8,670	13,150	10	36,330	2	410	188	120	8"	11,980	27"	7' 7-3/4"	4' 3-7/8"	11' 11-5/8"
eco-ATWB 7-4J9	10,380	8,790	13,270	15	40,700	2	410	188	120	8"	12,100	27"	7' 7-3/4"	4' 3-7/8"	11' 11-5/8"
eco-ATWB 7-5I9	11,740	10,150	15,000	10	35,240	2	410	232	120	8"	13,830	34-1/2"	8' 3-1/4"	4' 3-7/8"	12' 7-1/8"
eco-ATWB 7-5J9	11,860	10,270	15,120	15	39,470	2	410	232	120	8"	13,950	34-1/2"	8' 3-1/4"	4' 3-7/8"	12' 7-1/8"
eco-ATWB 7-6J9	13,340	11,750	16,960	15	38,250	2	410	276	120	8"	15,790	42"	8' 10-3/4"	4' 3-7/8"	13' 2-5/8"

† Model Numbers end in "-Z" for units with Series Flow piping configuration. Series Flow units may require additional coil connections and will require crossover piping. Model numbers will include "R" for units with Low Sound Fan(s) and "S" for units with an option that negates CTI certification.

†† Heaviest section is the coil/fan section.

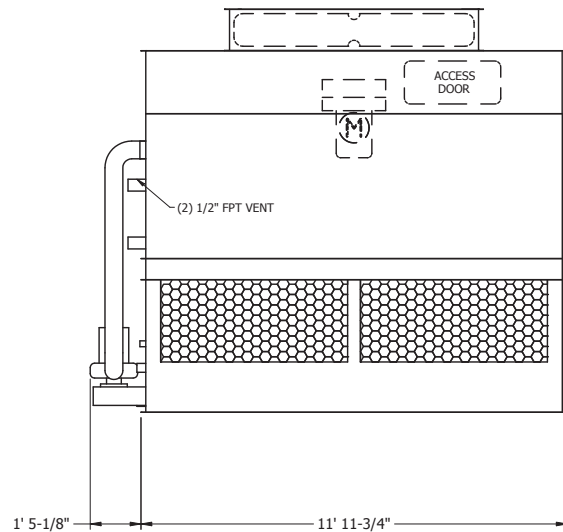
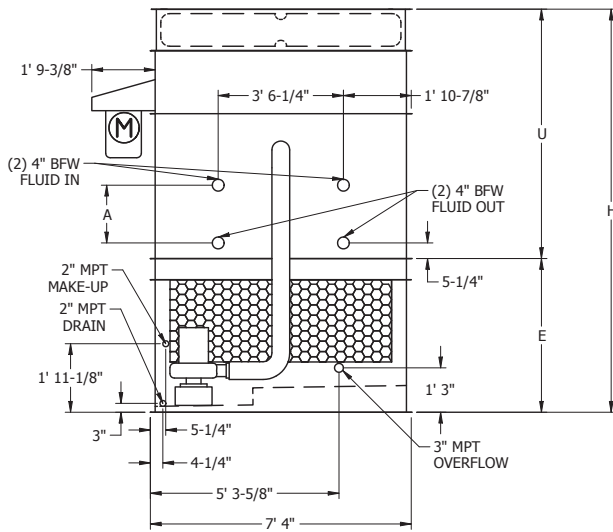
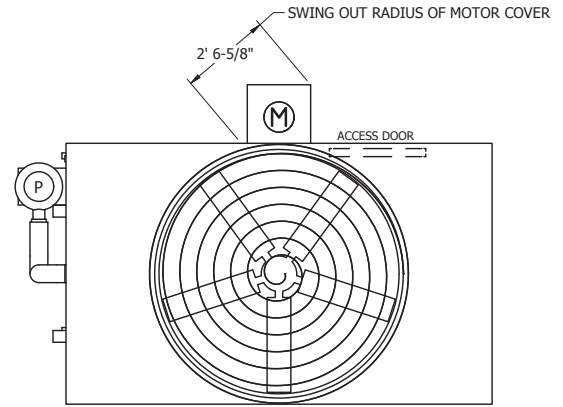
* Gallons shown is water in suspension in unit and piping. Allow for additional water in bottom of remote sump to cover pump suction and strainer during operation (12" would normally be sufficient).

▲ When a remote sump arrangement is selected, the spray pump, suction strainer and associated piping are omitted; the unit is provided with an oversized outlet to facilitate drainage to the remote sump.

■ Unit dimensions and coil connections may vary slightly from catalog. See factory certified prints for dimensions, quantity of coil connections, and piping configuration. Coil connections are 4" bevel for weld (BFW). Other connection types such as grooved for mechanical coupling or flanged are also available as options.

eco-ATWB 7-3J12 to 7-6K12

Selections for eco-ATWB Closed Circuit Coolers are available from EVAPCO's **SPECTRUM™** Program. Please contact your local sales representative for more information on the **SPECTRUM™** program.



Note: The number of coil connections doubles when the flow rate exceeds 900 GPM on eco-ATWB 7x12 models. This required option is referred to as the High Flow coil configuration.

eco-ATWB Model Number†	Weights (lbs)			Fans		Spray Pump		Coil Volume (Gallons)	Remote Sump △			Dimensions ■			
	Shipping	Heaviest Section††	Operating	HP	CFM	HP	GPM		Gallons* Required	Conn. Size	Operating Weight (lbs)	Coil A	Upper U	Lower E	Height H
eco-ATWB 7-3J12	10,910	9,010	14,400	15	51,680	3	550	189	160	10"	12,790	19'-2"	7' 1/4"	4' 3-7/8"	11' 4-1/8"
eco-ATWB 7-4J12	12,870	10,970	16,850	15	50,180	3	550	248	160	10"	15,240	27"	7' 7-3/4"	4' 3-7/8"	11' 11-5/8"
eco-ATWB 7-5J12	14,750	12,850	19,220	15	48,670	3	550	307	160	10"	17,610	34-1/2"	8' 3-1/4"	4' 3-7/8"	12' 7-1/8"
eco-ATWB 7-5K12	14,810	12,910	19,280	20	52,760	3	550	307	160	10"	17,670	34-1/2"	8' 3-1/4"	4' 3-7/8"	12' 7-1/8"
eco-ATWB 7-6K12	16,770	14,870	21,730	20	51,130	3	550	366	160	10"	20,120	42"	8' 10-3/4"	4' 3-7/8"	13' 2-5/8"

† Model Numbers end in "-Z" for units with Series Flow piping configuration. Series Flow units may require additional coil connections and will require crossover piping. Model numbers will include "R" for units with Low Sound Fan(s) and "S" for units with an option that negates CTI certification.

†† Heaviest section is the coil/fan section.

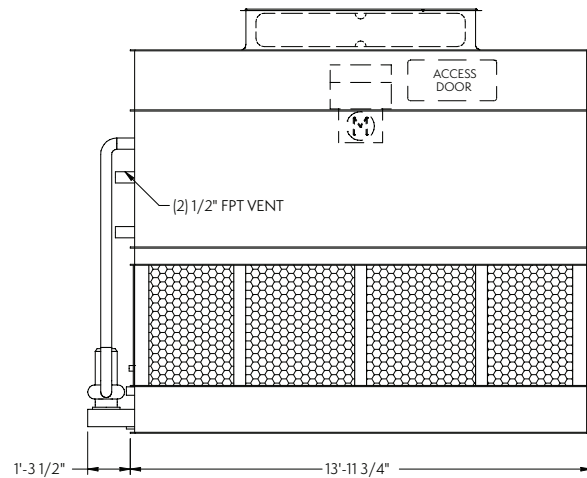
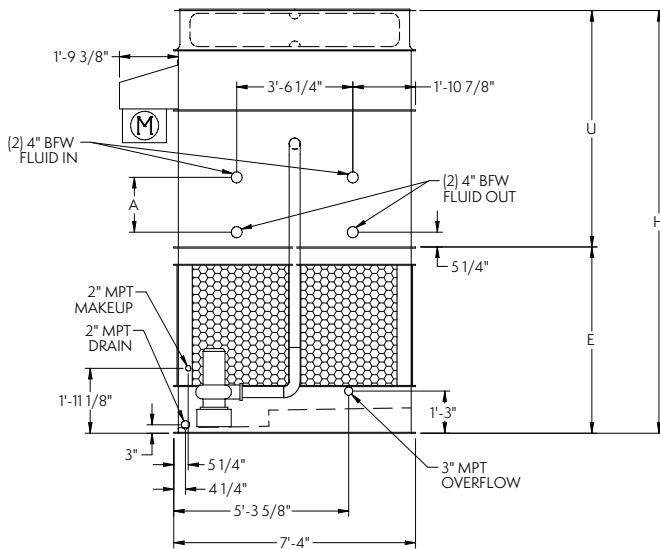
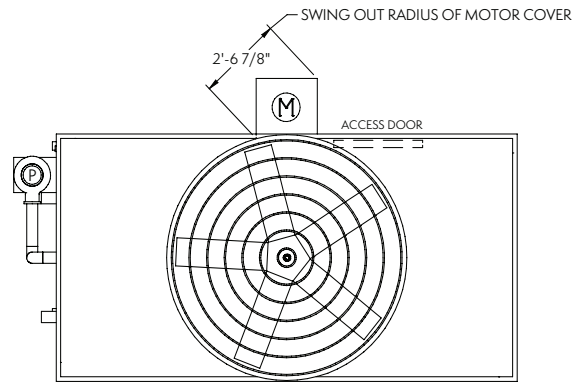
* Gallons shown is water in suspension in unit and piping. Allow for additional water in bottom of remote sump to cover pump suction and strainer during operation (12" would normally be sufficient).

△ When a remote sump arrangement is selected, the spray pump, suction strainer and associated piping are omitted; the unit is provided with an oversized outlet to facilitate drainage to the remote sump.

■ Unit dimensions and coil connections may vary slightly from catalog. See factory certified prints for dimensions, quantity of coil connections, and piping configuration. Coil connections are 4" bevel for weld (BFW). Other connection types such as grooved for mechanical coupling or flanged are also available as options.

eco-ATWB 7-3J14 to 7-6L14

Selections for eco-ATWB Closed Circuit Coolers are available from EVAPCO's **SPECTRUM™** Program. Please contact your local sales representative for more information on the **SPECTRUM™** program.



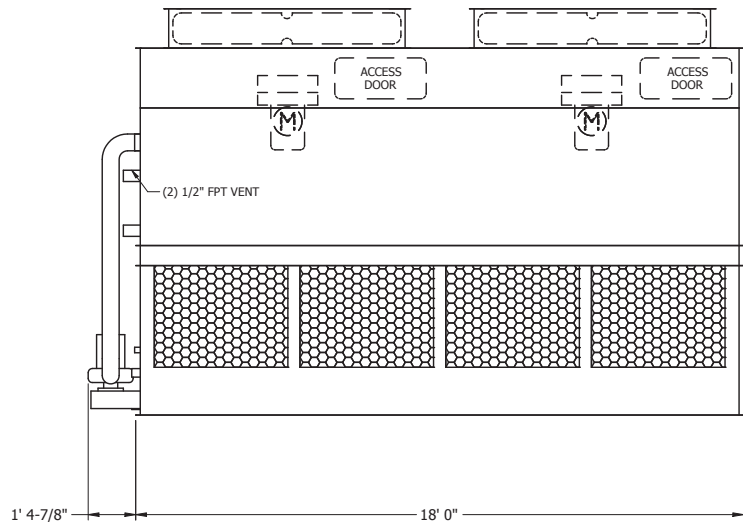
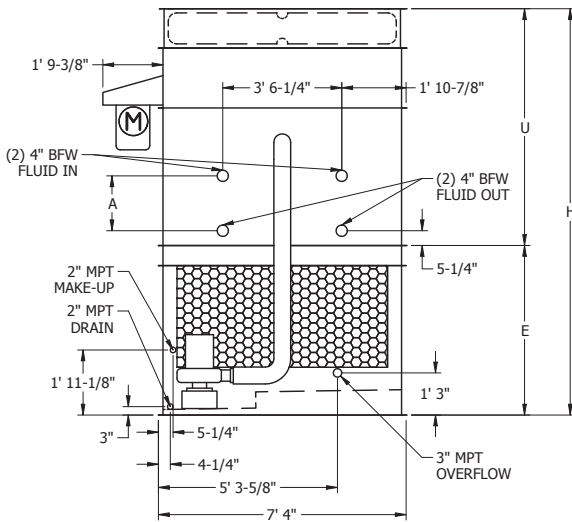
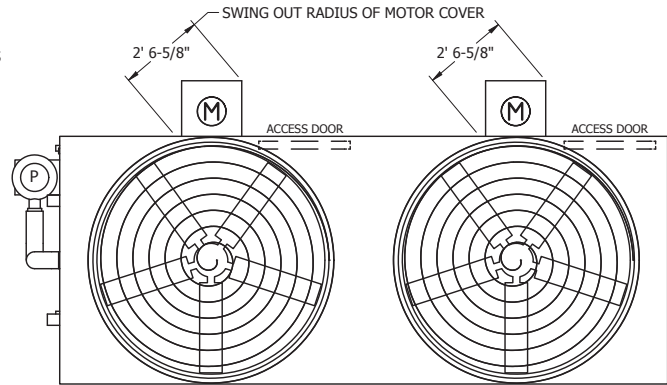
Note: The number of coil connections doubles when the flow rate exceeds 900 GPM on eco-ATWB 7x14 models. This required option is referred to as the High Flow coil configuration.

eco-ATWB Model Number†	Weights (lbs)			Fans		Spray Pump		Coil Volume (Gallons)	Remote Sump △			Dimensions ■			
	Shipping	Heaviest Section††	Operating	HP	CFM	HP	GPM		Gallons* Required	Conn. Size	Operating Weight (lbs)	Coil A	Upper U	Lower E	Height H
eco-ATWB 7-3J14	12,490	10,300	16,490	15	57,760	3	600	219	190	10"	14,680	19'-1/2"	7' 1/4"	4' 8-1/4"	11' 8-1/2"
eco-ATWB 7-4J14	14,740	12,550	19,320	15	56,080	3	600	288	190	10"	17,510	27"	7' 7-3/4"	4' 8-1/4"	12' 4"
eco-ATWB 7-5J14	17,000	14,810	22,150	15	54,400	3	600	357	190	10"	20,340	34'-1/2"	8' 3-1/4"	4' 8-1/4"	12' 11-1/2"
eco-ATWB 7-5K14	17,060	14,870	22,210	20	58,960	3	600	357	190	10"	20,400	34'-1/2"	8' 3-1/4"	4' 8-1/4"	12' 11-1/2"
eco-ATWB 7-6K14	19,330	17,140	25,050	20	57,140	3	600	426	190	10"	23,240	42"	8' 10-3/4"	4' 8-1/4"	13' 7"
eco-ATWB 7-6L14	19,360	17,170	25,080	25	60,820	3	600	426	190	10"	23,270	42"	8' 10-3/4"	4' 8-1/4"	13' 7"

- † Model Numbers end in "-Z" for units with Series Flow piping configuration. Series Flow units may require additional coil connections and will require crossover piping. Model numbers will include "R" for units with Low Sound Fan(s) and "S" for units with an option that negates CTI certification.
- †† Heaviest section is the coil/fan section.
- * Gallons shown is water in suspension in unit and piping. Allow for additional water in bottom of remote sump to cover pump suction and strainer during operation (12" would normally be sufficient).
- △ When a remote sump arrangement is selected, the spray pump, suction strainer and associated piping are omitted; the unit is provided with an oversized outlet to facilitate drainage to the remote sump.
- Unit dimensions and coil connections may vary slightly from catalog. See factory certified prints for dimensions, quantity of coil connections, and piping configuration. Coil connections are 4" bevel for weld (BFW). Other connection types such as grooved for mechanical coupling or flanged are also available as options.

eco-ATWB 7-3H18 to 7-6J18

Selections for eco-ATWB Closed Circuit Coolers are available from EVAPCO's **SPECTRUM™** Program. Please contact your local sales representative for more information on the **SPECTRUM™** program.



Note: The number of coil connections doubles when the flow rate exceeds 900 GPM on eco-ATWB 7x18 models. This required option is referred to as the High Flow coil configuration.

eco-ATWB Model Number†	Weights (lbs)			Fans		Spray Pump		Coil Volume (Gallons)	Remote Sump Δ			Dimensions \blacksquare			
	Shipping	Heaviest Section††	Operating	HP	CFM	HP	GPM		Gallons* Required	Conn. Size	Operating Weight (lbs)	Coil A	Upper U	Lower E	Height H
eco-ATWB 7-3H18	16,430	13,140	21,720	(2) 7.5	68,480	5	800	279	240	12"	19,340	19-1/2"	7' 1/4"	5' 1/4"	12' 1/2"
eco-ATWB 7-3I18	16,460	13,440	21,750	(2) 10	75,120	5	800	279	240	12"	19,370	19-1/2"	7' 1/4"	5' 1/4"	12' 1/2"
eco-ATWB 7-4H18	19,330	16,310	25,360	(2) 7.5	66,490	5	800	368	240	12"	22,980	27"	7' 7-3/4"	5' 1/4"	12' 8"
eco-ATWB 7-4I18	19,360	16,340	25,390	(2) 10	72,930	5	800	368	240	12"	23,010	27"	7' 7-3/4"	5' 1/4"	12' 8"
eco-ATWB 7-4J18	19,610	16,590	25,640	(2) 15	81,700	5	800	368	240	12"	23,260	27"	7' 7-3/4"	5' 1/4"	12' 8"
eco-ATWB 7-5H18	22,240	19,220	29,010	(2) 7.5	64,490	5	800	457	240	12"	26,630	34-1/2"	8' 3-1/4"	5' 1/4"	13' 3-1/2"
eco-ATWB 7-5I18	22,270	19,250	29,040	(2) 10	70,740	5	800	457	240	12"	26,660	34-1/2"	8' 3-1/4"	5' 1/4"	13' 3-1/2"
eco-ATWB 7-5J18	22,520	19,500	29,290	(2) 15	79,250	5	800	457	240	12"	26,910	34-1/2"	8' 3-1/4"	5' 1/4"	13' 3-1/2"
eco-ATWB 7-6H18	25,190	22,170	32,710	(2) 7.5	62,500	5	800	546	240	12"	30,330	42"	8' 10-3/4"	5' 1/4"	13' 11"
eco-ATWB 7-6I18	25,220	22,200	32,740	(2) 10	68,560	5	800	546	240	12"	30,360	42"	8' 10-3/4"	5' 1/4"	13' 11"
eco-ATWB 7-6J18	25,470	22,450	32,990	(2) 15	76,800	5	800	546	240	12"	30,610	42"	8' 10-3/4"	5' 1/4"	13' 11"

† Model Numbers end in "-Z" for units with Series Flow piping configuration. Series Flow units may require additional coil connections and will require crossover piping. Model numbers will include "R" for units with Low Sound Fan(s) and "S" for units with an option that negates CTI certification.

†† Heaviest section is the coil/fan section.

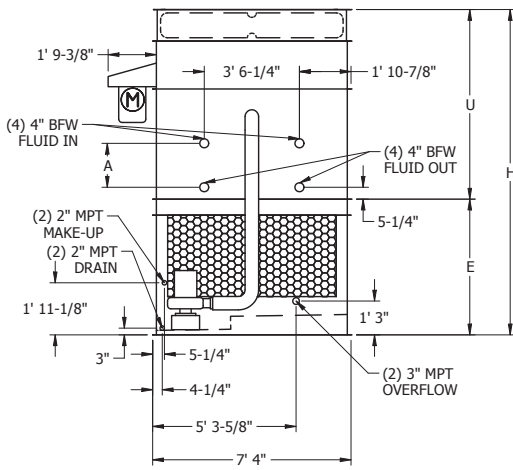
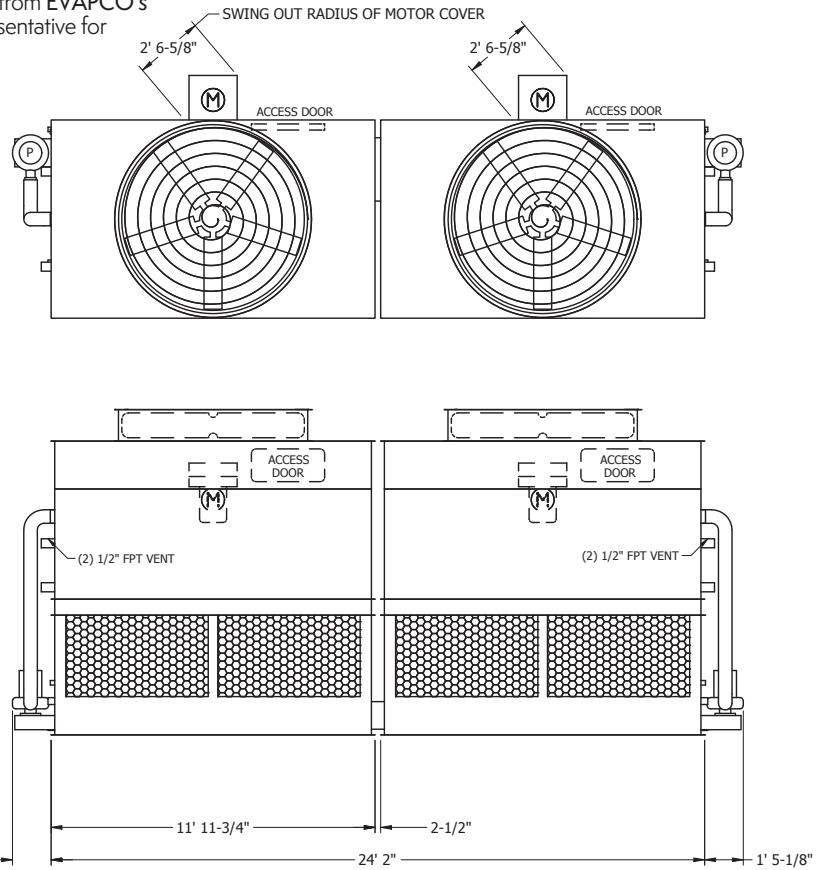
* Gallons shown is water in suspension in unit and piping. Allow for additional water in bottom of remote sump to cover pump suction and strainer during operation (12" would normally be sufficient).

Δ When a remote sump arrangement is selected, the spray pump, suction strainer and associated piping are omitted; the unit is provided with an oversized outlet to facilitate drainage to the remote sump.

\blacksquare Unit dimensions and coil connections may vary slightly from catalog. See factory certified prints for dimensions, quantity of coil connections, and piping configuration. Coil connections are 4" bevel for weld (BFW). Other connection types such as grooved for mechanical coupling or flanged are also available as options.

eco-ATWB 7-3J24 to 7-6K24

Selections for eco-ATWB Closed Circuit Coolers are available from EVAPCO's **SPECTRUM™** Program. Please contact your local sales representative for more information on the **SPECTRUM™** program.



Note: The number of coil connections doubles when the flow rate exceeds 1,800 GPM on eco-ATWB 7x24 models. This required option is referred to as the High Flow coil configuration.

eco-ATWB Model Number†	Weights (lbs)			Fans		Spray Pump		Coil Volume (Gallons)	Remote Sump △			Dimensions ■			
	Shipping	Heaviest Section††	Operating	HP	CFM	HP	GPM		Gallons* Required	Conn. Size	Operating Weight (lbs)	Coil A	Upper U	Lower E	Height H
eco-ATWB 7-3J24	21,820	9,010	28,800	(2) 15	103,370	(2) 3	550	378	310	(2) 10"	24,280	19-1/2"	7' 1/4"	5' 1/4"	12' 1/2"
eco-ATWB 7-4J24	25,740	10,970	33,700	(2) 15	100,360	(2) 3	550	496	310	(2) 10"	29,180	27"	7' 7-3/4"	5' 1/4"	12' 8"
eco-ATWB 7-5J24	29,500	12,850	38,440	(2) 15	97,350	(2) 3	550	614	310	(2) 10"	33,920	34-1/2"	8' 3-1/4"	5' 1/4"	13' 3-1/2"
eco-ATWB 7-5K24	29,620	12,910	38,560	(2) 20	105,510	(2) 3	550	614	310	(2) 10"	34,040	34-1/2"	8' 3-1/4"	5' 1/4"	13' 3-1/2"
eco-ATWB 7-6K24	33,540	14,870	43,460	(2) 20	102,250	(2) 3	550	731	310	(2) 10"	38,940	42"	8' 10-3/4"	5' 1/4"	13' 11"

† Model Numbers end in "-Z" for units with Series Flow piping configuration. Series Flow units may require additional coil connections and will require crossover piping. Model numbers will include "R" for units with Low Sound Fan(s) and "S" for units with an option that negates CTI certification.

†† Heaviest section is the coil/fan section.

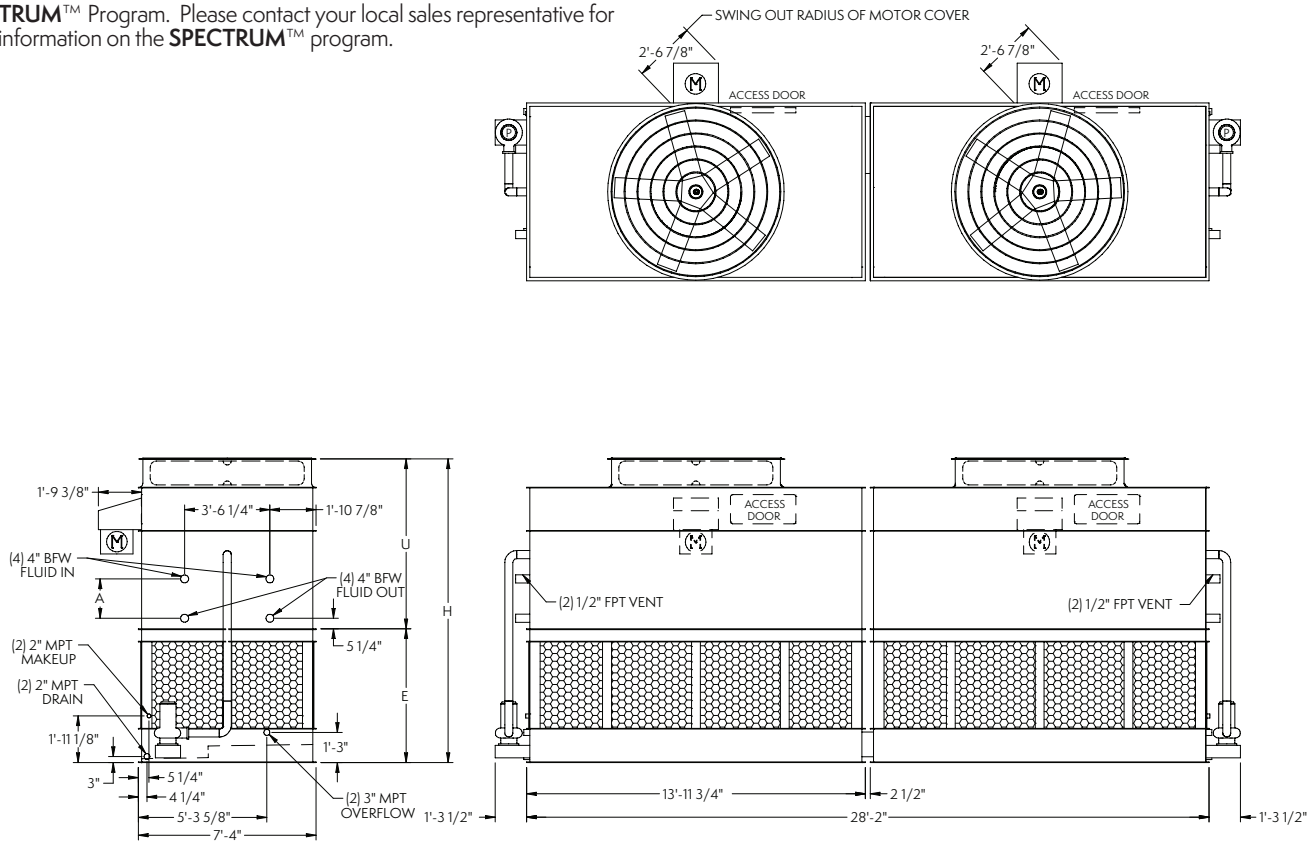
* Gallons shown is water in suspension in unit and piping. Allow for additional water in bottom of remote sump to cover pump suction and strainer during operation (12" would normally be sufficient).

△ When a remote sump arrangement is selected, the spray pump, suction strainer and associated piping are omitted; the unit is provided with an oversized outlet to facilitate drainage to the remote sump.

■ Unit dimensions and coil connections may vary slightly from catalog. See factory certified prints for dimensions, quantity of coil connections, and piping configuration. Coil connections are 4" bevel for weld (BFW). Other connection types such as grooved for mechanical coupling or flanged are also available as options.

eco-ATWB 7-3J28 to 7-6L28

Selections for eco-ATWB Closed Circuit Coolers are available from EVAPCO's **SPECTRUM™** Program. Please contact your local sales representative for more information on the **SPECTRUM™** program.



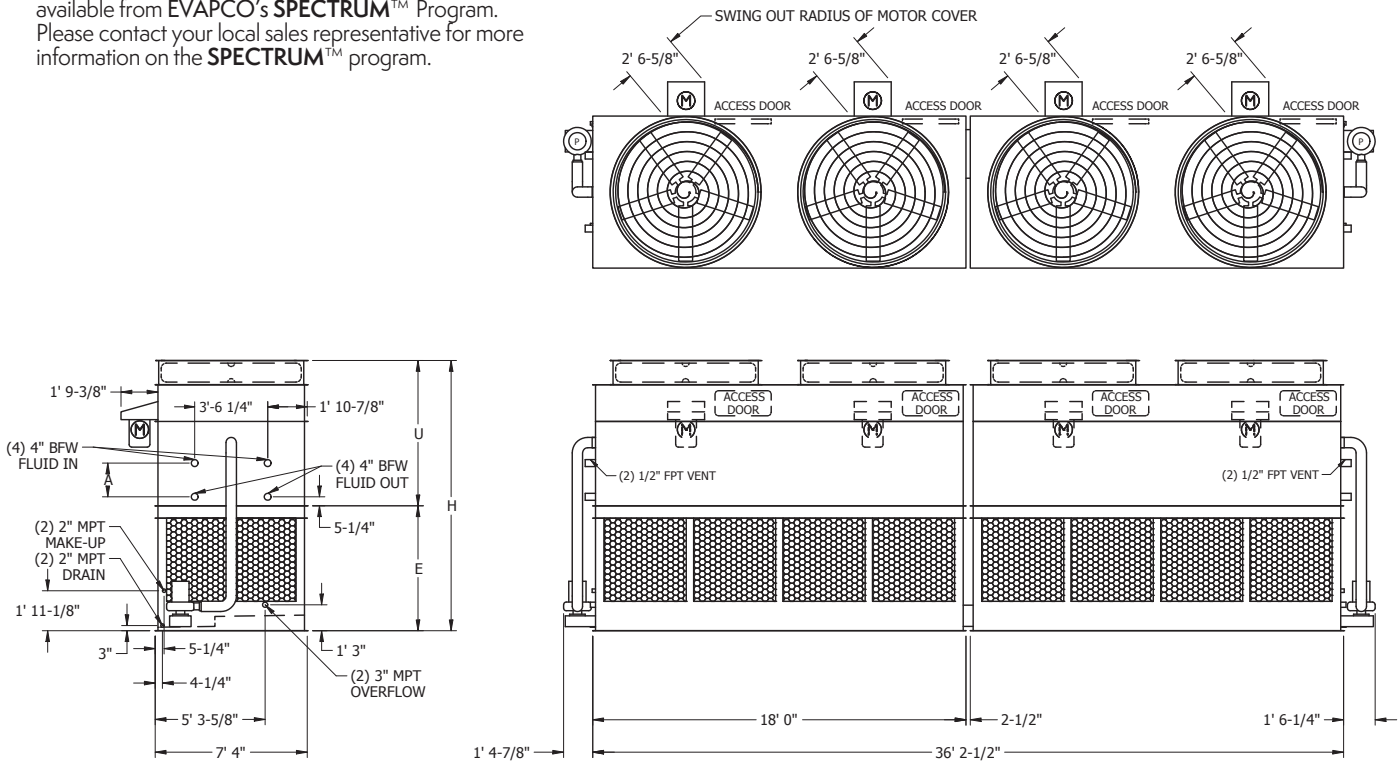
Note: The number of coil connections doubles when the flow rate exceeds 1,800 GPM on eco-ATWB 7x28 models. This required option is referred to as the High Flow coil configuration.

eco-ATWB Model Number†	Weights (lbs)			Fans		Spray Pump		Coil Volume (Gallons)	Remote Sump △			Dimensions ■			
	Shipping	Heaviest Section††	Operating	HP	CFM	HP	GPM		Gallons* Required	Conn. Size	Operating Weight (lbs)	Coil A	Upper U	Lower E	Height H
eco-ATWB 7-3J28	24,980	10,300	32,980	(2) 15	115,530	(2) 3	600	438	190	10"	27,800	19-1/2"	7' 1/4"	5' 6-1/4"	12' 6-1/2"
eco-ATWB 7-4J28	29,480	12,550	38,640	(2) 15	112,160	(2) 3	600	576	190	10"	33,460	27"	7' 7-3/4"	5' 6-1/4"	13' 2"
eco-ATWB 7-5J28	34,000	14,810	44,300	(2) 15	108,800	(2) 3	600	714	190	10"	39,120	34-1/2"	8' 3-1/4"	5' 6-1/4"	13' 9-1/2"
eco-ATWB 7-5K28	34,120	14,870	44,420	(2) 20	117,930	(2) 3	600	714	190	10"	39,240	34-1/2"	8' 3-1/4"	5' 6-1/4"	13' 9-1/2"
eco-ATWB 7-6K28	38,660	17,140	50,100	(2) 20	114,280	(2) 3	600	851	190	10"	44,920	42"	8' 10-3/4"	5' 6-1/4"	14' 5"
eco-ATWB 7-6L28	38,720	17,170	50,160	(2) 25	121,650	(2) 3	600	851	190	10"	44,980	42"	8' 10-3/4"	5' 6-1/4"	14' 5"

- † Model Numbers end in "-Z" for units with Series Flow piping configuration. Series Flow units may require additional coil connections and will require crossover piping. Model numbers will include "R" for units with Low Sound Fan(s) and "S" for units with an option that negates CTI certification.
- †† Heaviest section is the coil/fan section.
- * Gallons shown is water in suspension in unit and piping. Allow for additional water in bottom of remote sump to cover pump suction and strainer during operation (12" would normally be sufficient).
- △ When a remote sump arrangement is selected, the spray pump, suction strainer and associated piping are omitted; the unit is provided with an oversized outlet to facilitate drainage to the remote sump.
- Unit dimensions and coil connections may vary slightly from catalog. See factory certified prints for dimensions, quantity of coil connections, and piping configuration. Coil connections are 4" bevel for weld (BFW). Other connection types such as grooved for mechanical coupling or flanged are also available as options.

eco-ATWB 7-3H36 to 7-6J36

Selections for eco-ATWB Closed Circuit Coolers are available from EVAPCO's **SPECTRUM™** Program. Please contact your local sales representative for more information on the **SPECTRUM™** program.



Note: The number of coil connections doubles when the flow rate exceeds 1,800 GPM on eco-ATWB 7x36 models. This required option is referred to as the High Flow coil configuration.

eco-ATWB Model Number†	Weights (lbs)			Fans		Spray Pump		Coil Volume (Gallons)	Remote Sump △			Dimensions ■			
	Shipping	Heaviest Section††	Operating	HP	CFM	HP	GPM		Gallons* Required	Conn. Size	Operating Weight (lbs)	Coil A	Upper U	Lower E	Height H
eco-ATWB 7-3H36	32,860	13,410	43,440	(4) 7.5	136,960	(2) 5	800	558	480	(2) 12"	36,700	19-1/2"	7' 1/4"	6' 1/4"	13' 1/2"
eco-ATWB 7-3I36	32,920	13,440	43,500	(4) 10	150,240	(2) 5	800	558	480	(2) 12"	36,760	19-1/2"	7' 1/4"	6' 1/4"	13' 1/2"
eco-ATWB 7-4H36	38,660	16,310	50,720	(4) 7.5	132,970	(2) 5	800	736	480	(2) 12"	43,980	27"	7' 7-3/4"	6' 1/4"	13' 8"
eco-ATWB 7-4I36	38,720	16,340	50,780	(4) 10	145,860	(2) 5	800	736	480	(2) 12"	44,040	27"	7' 7-3/4"	6' 1/4"	13' 8"
eco-ATWB 7-4J36	39,220	16,590	51,280	(4) 15	163,400	(2) 5	800	736	480	(2) 12"	44,540	27"	7' 7-3/4"	6' 1/4"	13' 8"
eco-ATWB 7-5H36	44,480	19,220	58,020	(4) 7.5	128,980	(2) 5	800	914	480	(2) 12"	51,280	34-1/2"	8' 3-1/4"	6' 1/4"	14' 3-1/2"
eco-ATWB 7-5I36	44,540	19,250	58,080	(4) 10	141,490	(2) 5	800	914	480	(2) 12"	51,340	34-1/2"	8' 3-1/4"	6' 1/4"	14' 3-1/2"
eco-ATWB 7-5J36	45,040	19,500	58,580	(4) 15	158,500	(2) 5	800	914	480	(2) 12"	51,840	34-1/2"	8' 3-1/4"	6' 1/4"	14' 3-1/2"
eco-ATWB 7-6H36	50,380	22,170	65,420	(4) 7.5	124,990	(2) 5	800	1091	480	(2) 12"	58,680	42"	8' 10-3/4"	6' 1/4"	14' 11"
eco-ATWB 7-6I36	50,440	22,200	65,480	(4) 10	137,110	(2) 5	800	1091	480	(2) 12"	58,740	42"	8' 10-3/4"	6' 1/4"	14' 11"
eco-ATWB 7-6J36	50,940	22,450	65,980	(4) 15	153,600	(2) 5	800	1091	480	(2) 12"	59,240	42"	8' 10-3/4"	6' 1/4"	14' 11"

† Model Numbers end in "-Z" for units with Series Flow piping configuration. Series Flow units may require additional coil connections and will require crossover piping. Model numbers will include "R" for units with Low Sound Fan(s) and "S" for units with an option that negates CTI certification.

†† Heaviest section is the coil/fan section.

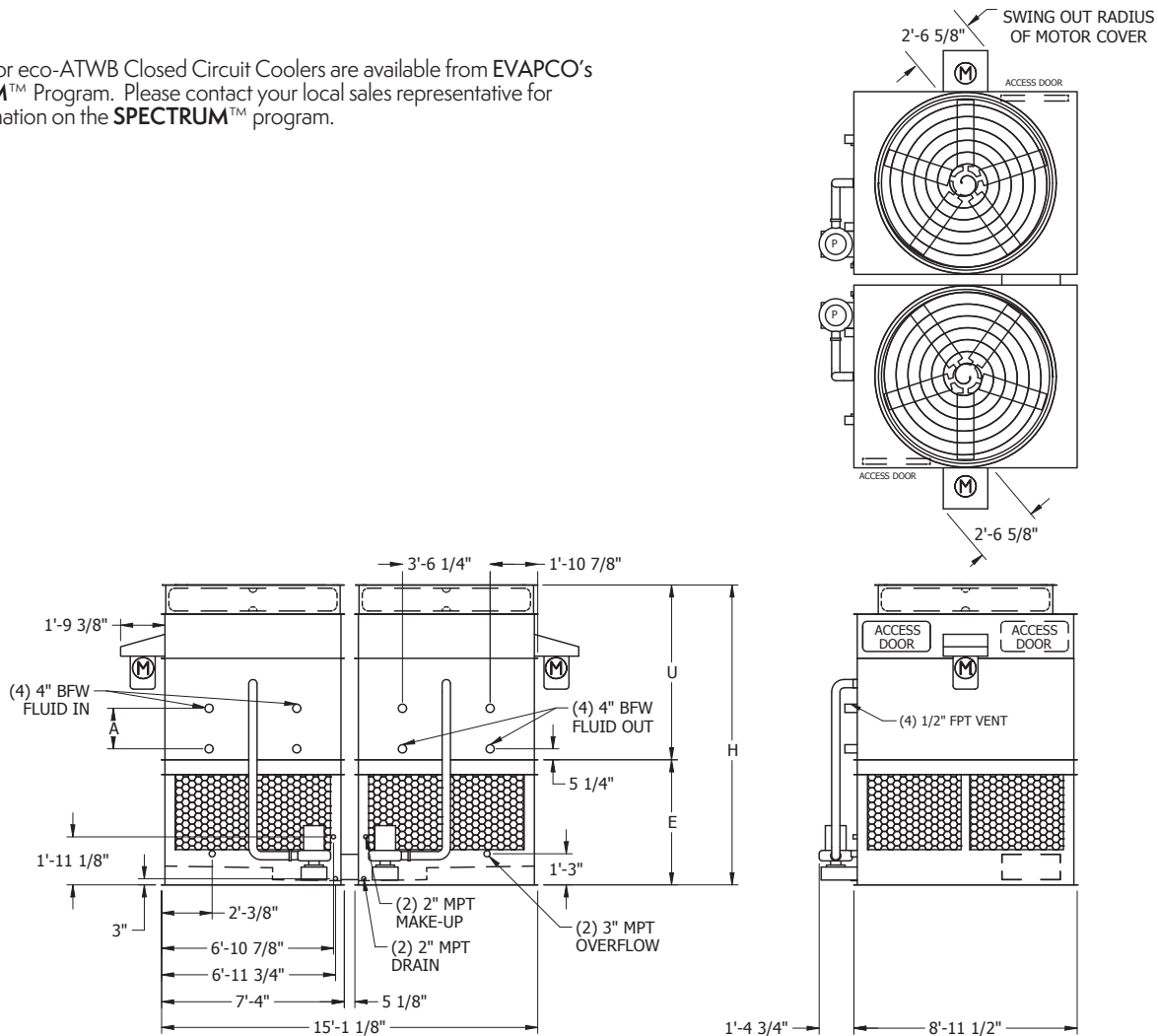
* Gallons shown is water in suspension in unit and piping. Allow for additional water in bottom of remote sump to cover pump suction and strainer during operation (12" would normally be sufficient).

△ When a remote sump arrangement is selected, the spray pump, suction strainer and associated piping are omitted; the unit is provided with an oversized outlet to facilitate drainage to the remote sump.

■ Unit dimensions and coil connections may vary slightly from catalog. See factory certified prints for dimensions, quantity of coil connections, and piping configuration. Coil connections are 4" bevel for weld (BFW). Other connection types such as grooved for mechanical coupling or flanged are also available as options.

eco-ATWB 14-3H9 to 14-6J9

Selections for eco-ATWB Closed Circuit Coolers are available from EVAPCO's **SPECTRUM™** Program. Please contact your local sales representative for more information on the **SPECTRUM™** program.



Note: The number of coil connections doubles when the flow rate exceeds 1,800 GPM on eco-ATWB 14x9 models. This required option is referred to as the High Flow coil configuration.

eco-ATWB Model Number†	Weights (lbs)			Fans		Spray Pump		Coil Volume (Gallons)	Remote Sump △			Dimensions ■			
	Shipping	Heaviest Section††	Operating	HP	CFM	HP	GPM		Gallons* Required	Conn. Size	Operating Weight (lbs)	Coil A	Upper U	Lower E	Height H
eco-ATWB 14-3H9	17,620	7,220	22,680	(2) 7.5	68,240	(2) 2	410	288	240	(2) 8"	19,340	19'-1/2"	7'-1/4"	5'-1/4"	12'-1/2"
eco-ATWB 14-3I9	17,660	7,240	22,720	(2) 10	74,830	(2) 2	410	288	240	(2) 8"	19,380	19'-1/2"	7'-1/4"	5'-1/4"	12'-1/2"
eco-ATWB 14-4I9	20,520	8,670	26,300	(2) 10	72,660	(2) 2	410	376	240	(2) 8"	22,960	27"	7'-7-3/4"	5'-1/4"	12'-8"
eco-ATWB 14-4J9	20,760	8,790	26,540	(2) 15	81,390	(2) 2	410	376	240	(2) 8"	23,200	27"	7'-7-3/4"	5'-1/4"	12'-8"
eco-ATWB 14-5I9	23,480	10,150	30,000	(2) 10	70,480	(2) 2	410	463	240	(2) 8"	26,660	34'-1/2"	8'-3-1/4"	5'-1/4"	13'-3-1/2"
eco-ATWB 14-5J9	23,720	10,270	30,240	(2) 15	78,950	(2) 2	410	463	240	(2) 8"	26,900	34'-1/2"	8'-3-1/4"	5'-1/4"	13'-3-1/2"
eco-ATWB 14-6J9	26,680	11,750	33,920	(2) 15	76,510	(2) 2	410	551	240	(2) 8"	30,580	42"	8'-10-3/4"	5'-1/4"	13'-11"

† Model Numbers end in "-Z" for units with Series Flow piping configuration. Series Flow units may require additional coil connections and will require crossover piping. Model numbers will include "R" for units with Low Sound Fan(s) and "S" for units with an option that negates CTI certification.

†† Heaviest section is the coil/fan section.

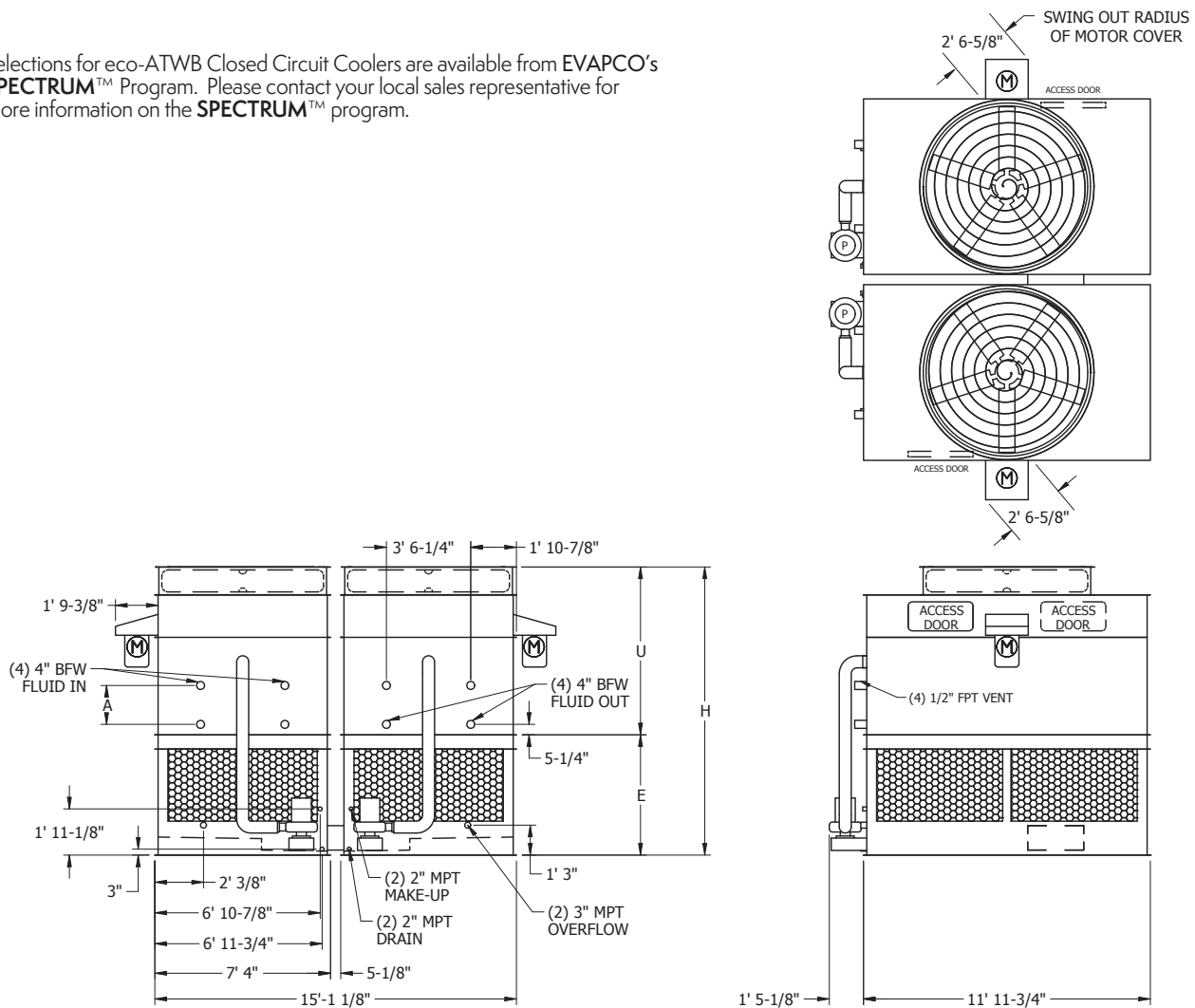
* Gallons shown is water in suspension in unit and piping. Allow for additional water in bottom of remote sump to cover pump suction and strainer during operation (12" would normally be sufficient).

△ When a remote sump arrangement is selected, the spray pump, suction strainer and associated piping are omitted; the unit is provided with an oversized outlet to facilitate drainage to the remote sump.

■ Unit dimensions and coil connections may vary slightly from catalog. See factory certified prints for dimensions, quantity of coil connections, and piping configuration. Coil connections are 4" bevel for weld (BFW). Other connection types such as grooved for mechanical coupling or flanged are also available as options.

eco-ATWB 14-3J12 to 14-6K12

Selections for eco-ATWB Closed Circuit Coolers are available from EVAPCO's **SPECTRUM™** Program. Please contact your local sales representative for more information on the **SPECTRUM™** program.



Note: The number of coil connections doubles when the flow rate exceeds 1,800 GPM on eco-ATWB 14x12 models. This required option is referred to as the High Flow coil configuration.

eco-ATWB Model Number†	Weights (lbs)			Fans		Spray Pump		Coil Volume (Gallons)	Remote Sump △			Dimensions ■			
	Shipping	Heaviest Section††	Operating	HP	CFM	HP	GPM		Gallons* Required	Conn. Size	Operating Weight (lbs)	Coil A	Upper U	Lower E	Height H
eco-ATWB 14-3J12	21,820	9,010	28,800	(2) 15	103,370	(2) 3	550	378	310	(2) 10"	24,280	19-1/2"	7' 1/4"	5' 1/4"	12' 1/2"
eco-ATWB 14-4J12	25,740	10,970	33,700	(2) 15	100,360	(2) 3	550	496	310	(2) 10"	29,180	27"	7' 7-3/4"	5' 1/4"	12' 8"
eco-ATWB 14-5J12	29,500	12,850	38,440	(2) 15	97,350	(2) 3	550	614	310	(2) 10"	33,920	34-1/2"	8' 3-1/4"	5' 1/4"	13' 3-1/2"
eco-ATWB 14-5K12	29,620	12,910	38,560	(2) 20	105,510	(2) 3	550	614	310	(2) 10"	34,040	34-1/2"	8' 3-1/4"	5' 1/4"	13' 3-1/2"
eco-ATWB 14-6K12	33,540	14,870	43,460	(2) 20	102,250	(2) 3	550	731	310	(2) 10"	38,940	42"	8' 10-3/4"	5' 1/4"	13' 11"

† Model Numbers end in "-Z" for units with Series Flow piping configuration. Series Flow units may require additional coil connections and will require crossover piping. Model numbers will include "R" for units with Low Sound Fan(s) and "S" for units with an option that negates CTI certification.

†† Heaviest section is the coil/fan section.

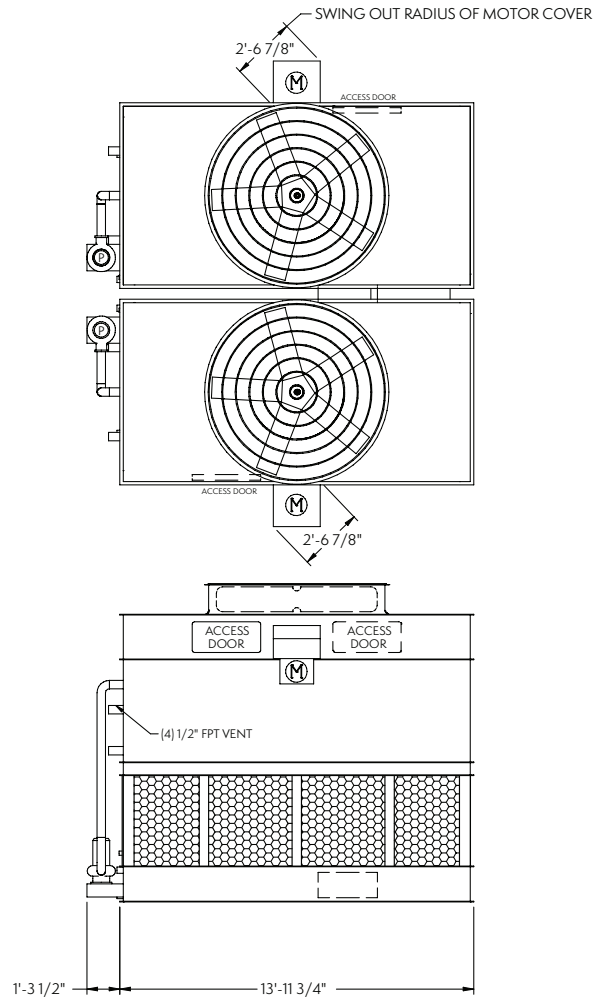
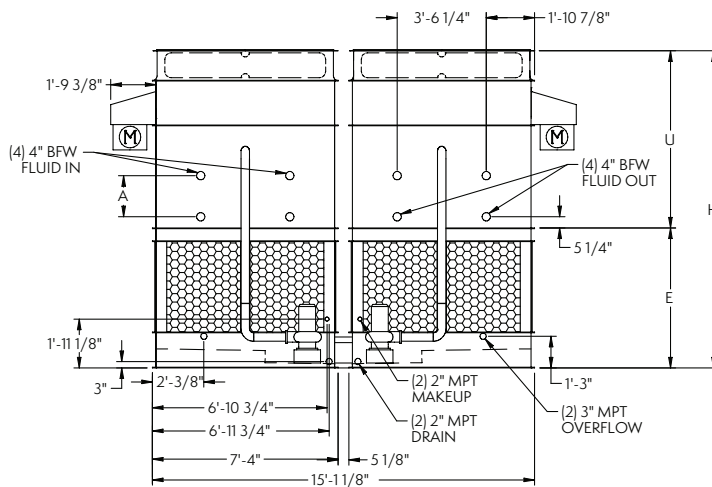
* Gallons shown is water in suspension in unit and piping. Allow for additional water in bottom of remote sump to cover pump suction and strainer during operation (12" would normally be sufficient).

△ When a remote sump arrangement is selected, the spray pump, suction strainer and associated piping are omitted; the unit is provided with an oversized outlet to facilitate drainage to the remote sump.

■ Unit dimensions and coil connections may vary slightly from catalog. See factory certified prints for dimensions, quantity of coil connections, and piping configuration. Coil connections are 4" bevel for weld (BFW). Other connection types such as grooved for mechanical coupling or flanged are also available as options.

eco-ATWB 14-3J14 to 14-6L14

Selections for eco-ATWB Closed Circuit Coolers are available from EVAPCO's **SPECTRUM™** Program. Please contact your local sales representative for more information on the **SPECTRUM™** program.



Note: The number of coil connections doubles when the flow rate exceeds 1,800 GPM on eco-ATWB 14x14 models. This required option is referred to as the High Flow coil configuration.

eco-ATWB Model Number†	Weights (lbs)			Fans		Spray Pump		Coil Volume (Gallons)	Remote Sump ▲			Dimensions ■			
	Shipping	Heaviest Section††	Operating	HP	CFM	HP	GPM		Gallons* Required	Conn. Size	Operating Weight (lbs)	Coil A	Upper U	Lower E	Height H
eco-ATWB 14-3J14	24,980	10,300	32,980	(2) 15	115,530	(2) 3	600	438	190	10"	27,800	19-1/2"	7' 1/4"	5' 6-1/4"	12' 6-1/2"
eco-ATWB 14-4J14	29,480	12,550	38,640	(2) 15	112,160	(2) 3	600	576	190	10"	33,460	27"	7' 7-3/4"	5' 6-1/4"	13' 2"
eco-ATWB 14-5J14	34,000	14,810	44,300	(2) 15	108,800	(2) 3	600	714	190	10"	39,120	34-1/2"	8' 3-1/4"	5' 6-1/4"	13' 9-1/2"
eco-ATWB 14-5K14	34,120	14,870	44,420	(2) 20	117,930	(2) 3	600	714	190	10"	39,240	34-1/2"	8' 3-1/4"	5' 6-1/4"	13' 9-1/2"
eco-ATWB 14-6K14	38,660	17,140	50,100	(2) 20	114,280	(2) 3	600	851	190	10"	44,920	42"	8' 10-3/4"	5' 6-1/4"	14' 5"
eco-ATWB 14-6L14	38,720	17,170	50,160	(2) 25	121,650	(2) 3	600	851	190	10"	44,980	42"	8' 10-3/4"	5' 6-1/4"	14' 5"

† Model Numbers end in "-Z" for units with Series Flow piping configuration. Series Flow units may require additional coil connections and will require crossover piping. Model numbers will include "R" for units with Low Sound Fan(s) and "S" for units with an option that negates CTI certification.

†† Heaviest section is the coil/fan section.

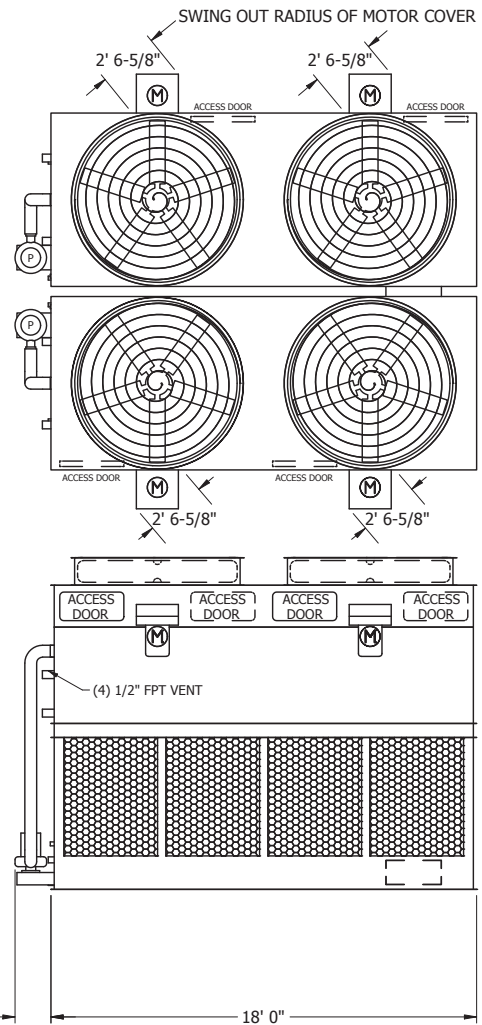
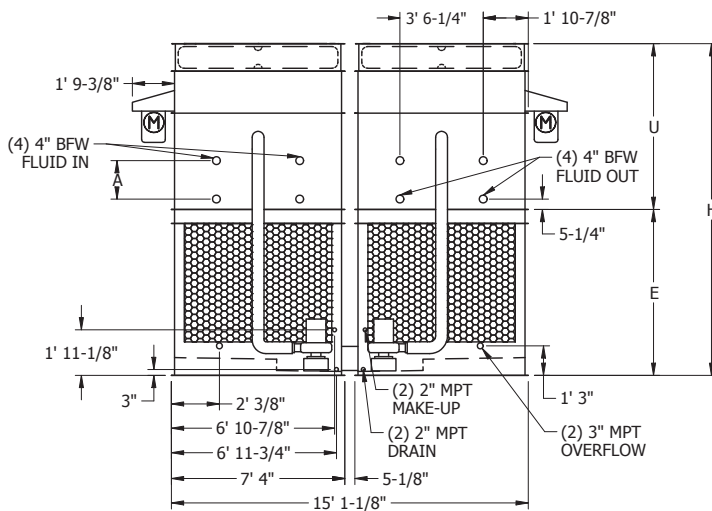
* Gallons shown is water in suspension in unit and piping. Allow for additional water in bottom of remote sump to cover pump suction and strainer during operation (12" would normally be sufficient).

▲ When a remote sump arrangement is selected, the spray pump, suction strainer and associated piping are omitted; the unit is provided with an oversized outlet to facilitate drainage to the remote sump.

■ Unit dimensions and coil connections may vary slightly from catalog. See factory certified prints for dimensions, quantity of coil connections, and piping configuration. Coil connections are 4" bevel for weld (BFW). Other connection types such as grooved for mechanical coupling or flanged are also available as options.

eco-ATWB 14-3H18 to 14-6J18

Selections for eco-ATWB Closed Circuit Coolers are available from EVAPCO's **SPECTRUM™** Program. Please contact your local sales representative for more information on the **SPECTRUM™** program.



Note: The number of coil connections doubles when the flow rate exceeds 1,800 GPM on eco-ATWB 14x18 models. This required option is referred to as the High Flow coil configuration.

eco-ATWB Model Number†	Weights (lbs)			Fans		Spray Pump		Coil Volume (Gallons)	Remote Sump △			Dimensions ■			
	Shipping	Heaviest Section††	Operating	HP	CFM	HP	GPM		Gallons* Required	Conn. Size	Operating Weight (lbs)	Coil A	Upper U	Lower E	Height H
eco-ATWB 14-3H18	32,860	13,410	43,440	(4) 7.5	136,960	(2) 5	800	558	480	(2) 12"	36,700	19-1/2"	7' 1/4"	7' 1/4"	14' 1/2"
eco-ATWB 14-3I18	32,920	13,440	43,500	(4) 10	150,240	(2) 5	800	558	480	(2) 12"	36,760	19-1/2"	7' 1/4"	7' 1/4"	14' 1/2"
eco-ATWB 14-4H18	38,660	16,310	50,720	(4) 7.5	132,970	(2) 5	800	736	480	(2) 12"	43,980	27"	7' 7-3/4"	7' 1/4"	14' 8"
eco-ATWB 14-4I18	38,720	16,340	50,780	(4) 10	145,860	(2) 5	800	736	480	(2) 12"	44,040	27"	7' 7-3/4"	7' 1/4"	14' 8"
eco-ATWB 14-4J18	39,220	16,590	51,280	(4) 15	163,400	(2) 5	800	736	480	(2) 12"	44,540	27"	7' 7-3/4"	7' 1/4"	14' 8"
eco-ATWB 14-5H18	44,480	19,220	58,020	(4) 7.5	128,980	(2) 5	800	914	480	(2) 12"	51,280	34-1/2"	8' 3-1/4"	7' 1/4"	15' 3-1/2"
eco-ATWB 14-5I18	44,540	19,250	58,080	(4) 10	141,490	(2) 5	800	914	480	(2) 12"	51,340	34-1/2"	8' 3-1/4"	7' 1/4"	15' 3-1/2"
eco-ATWB 14-5J18	45,040	19,500	58,580	(4) 15	158,500	(2) 5	800	914	480	(2) 12"	51,840	34-1/2"	8' 3-1/4"	7' 1/4"	15' 3-1/2"
eco-ATWB 14-6H18	50,380	22,170	65,420	(4) 7.5	124,990	(2) 5	800	1091	480	(2) 12"	58,680	42"	8' 10-3/4"	7' 1/4"	15' 11"
eco-ATWB 14-6I18	50,440	22,200	65,480	(4) 10	137,110	(2) 5	800	1091	480	(2) 12"	58,740	42"	8' 10-3/4"	7' 1/4"	15' 11"
eco-ATWB 14-6J18	50,940	22,450	65,980	(4) 15	153,600	(2) 5	800	1091	480	(2) 12"	59,240	42"	8' 10-3/4"	7' 1/4"	15' 11"

† Model Numbers end in "-Z" for units with Series Flow piping configuration. Series Flow units may require additional coil connections and will require crossover piping. Model numbers will include "R" for units with Low Sound Fan(s) and "S" for units with an option that negates CTI certification.

†† Heaviest section is the coil/fan section.

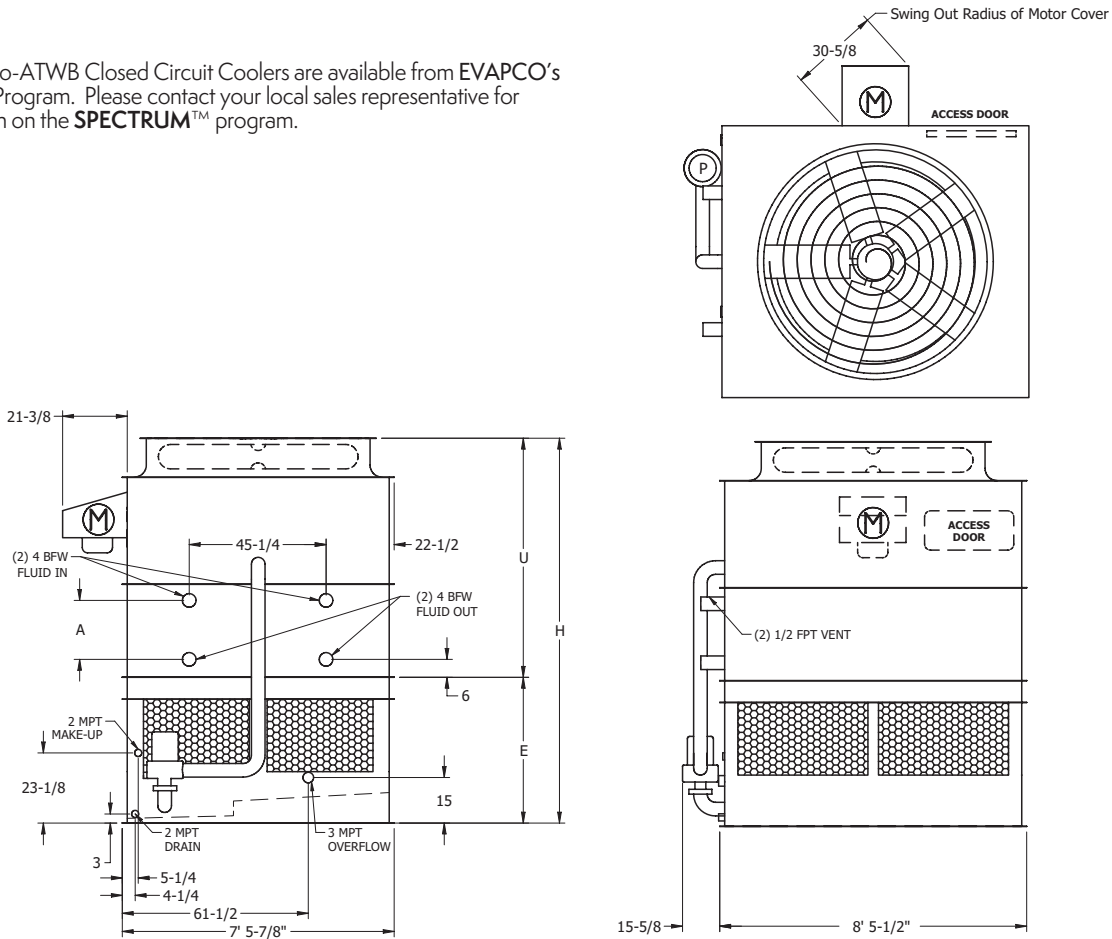
* Gallons shown is water in suspension in unit and piping. Allow for additional water in bottom of remote sump to cover pump suction and strainer during operation (12" would normally be sufficient).

△ When a remote sump arrangement is selected, the spray pump, suction strainer and associated piping are omitted; the unit is provided with an oversized outlet to facilitate drainage to the remote sump.

■ Unit dimensions and coil connections may vary slightly from catalog. See factory certified prints for dimensions, quantity of coil connections, and piping configuration. Coil connections are 4" bevel for weld (BFW). Other connection types such as grooved for mechanical coupling or flanged are also available as options.

eco-ATWB 9-3G8 to 9-6J8

Selections for eco-ATWB Closed Circuit Coolers are available from EVAPCO's **SPECTRUM™** Program. Please contact your local sales representative for more information on the **SPECTRUM™** program.



Note: The number of coil connections doubles when the flow rate exceeds 900 GPM on eco-ATW 9x8 models. This required option is referred to as the High Flow coil configuration.

eco-ATWB Model Number†	Weights (lbs)			Fans		Spray Pump	Coil Volume (Gallons)	Remote Sump △			Dimensions ■				
	Shipping	Heaviest Section††	Operating	HP	CFM	HP		GPM	Gallons* Required	Conn. Size	Operating Weight (lbs)	Coil A	Upper U	Lower E	Height H
eco-ATWB 9-3G8	7,980	6,680	11,400	5	29,190	2	390	143	220	8"	10,300	19-1/2"	6' 7"	4' 1/4"	10' 7-1/4"
eco-ATWB 9-3H8	8,030	6,730	11,450	7.5	33,410	2	390	143	220	8"	10,350	19-1/2"	6' 7"	4' 1/4"	10' 7-1/4"
eco-ATWB 9-3I8	8,040	6,740	11,460	10	36,580	2	390	143	220	8"	10,360	19-1/2"	6' 7"	4' 1/4"	10' 7-1/4"
eco-ATWB 9-3J8	8,170	6,870	11,590	15	40,980	2	390	143	220	8"	10,490	19-1/2"	6' 7"	4' 1/4"	10' 7-1/4"
eco-ATWB 9-4G8	9,320	8,020	13,100	5	28,340	2	390	187	220	8"	12,000	27"	7' 2-1/2"	4' 1/4"	11' 2-3/4"
eco-ATWB 9-4H8	9,370	8,070	13,150	7.5	32,440	2	390	187	220	8"	12,050	27"	7' 2-1/2"	4' 1/4"	11' 2-3/4"
eco-ATWB 9-4I8	9,380	8,080	13,160	10	35,520	2	390	187	220	8"	12,060	27"	7' 2-1/2"	4' 1/4"	11' 2-3/4"
eco-ATWB 9-4J8	9,510	8,210	13,290	15	39,790	2	390	187	220	8"	12,190	27"	7' 2-1/2"	4' 1/4"	11' 2-3/4"
eco-ATWB 9-5H8	10,800	9,500	14,950	7.5	31,470	2	390	230	220	8"	13,850	34-1/2"	7' 10"	4' 1/4"	11' 10-1/4"
eco-ATWB 9-5I8	10,810	9,510	14,960	10	34,450	2	390	230	220	8"	13,860	34-1/2"	7' 10"	4' 1/4"	11' 10-1/4"
eco-ATWB 9-5J8	10,940	9,640	15,090	15	38,590	2	390	230	220	8"	13,990	34-1/2"	7' 10"	4' 1/4"	11' 10-1/4"
eco-ATWB 9-6H8	12,210	10,910	16,720	7.5	30,500	2	390	274	220	8"	15,620	42"	8' 5-1/2"	4' 1/4"	12' 5-3/4"
eco-ATWB 9-6I8	12,220	10,920	16,730	10	33,390	2	390	274	220	8"	15,630	42"	8' 5-1/2"	4' 1/4"	12' 5-3/4"
eco-ATWB 9-6J8	12,350	11,050	16,860	15	37,400	2	390	274	220	8"	15,760	42"	8' 5-1/2"	4' 1/4"	12' 5-3/4"

† Model Numbers end in "-Z" for units with Series Flow piping configuration. Series Flow units may require additional coil connections and will require crossover piping. Model numbers will include "R" for units with Low Sound Fan(s) and "S" for units with an option that negates CTI certification.

†† Heaviest section is the coil/fan section.

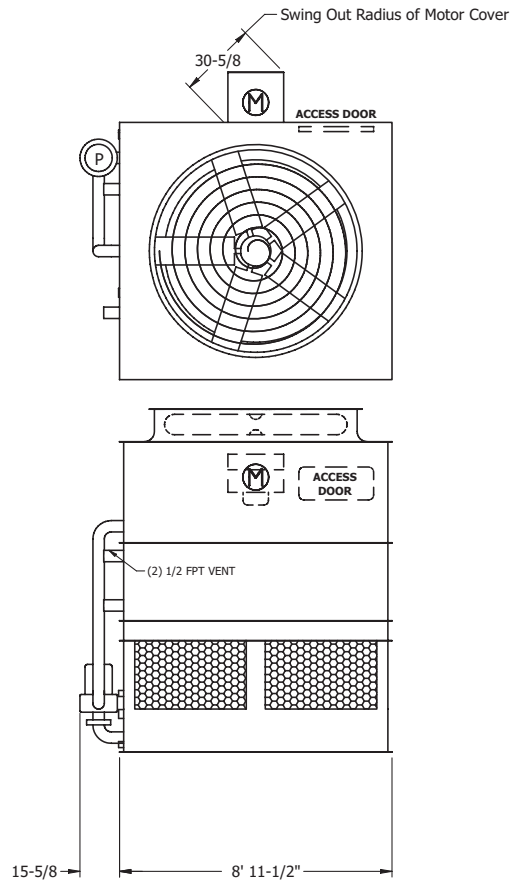
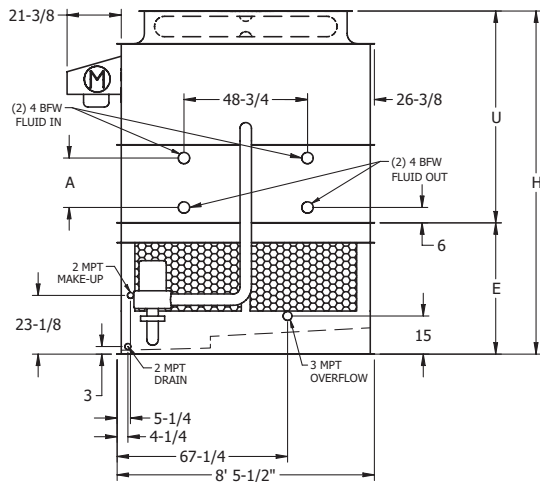
* Gallons shown is water in suspension in unit and piping. Allow for additional water in bottom of remote sump to cover pump suction and strainer during operation (12" would normally be sufficient).

△ When a remote sump arrangement is selected, the spray pump, suction strainer and associated piping are omitted; the unit is provided with an oversized outlet to facilitate drainage to the remote sump.

■ Unit dimensions and coil connections may vary slightly from catalog. See factory certified prints for dimensions, quantity of coil connections, and piping configuration. Coil connections are 4" bevel for weld (BFW). Other connection types such as grooved for mechanical coupling or flanged are also available as options.

eco-ATWB 9-3H9 to 9-6K9

Selections for eco-ATWB Closed Circuit Coolers are available from EVAPCO's **SPECTRUM™** Program. Please contact your local sales representative for more information on the **SPECTRUM™** program.



Note: The number of coil connections doubles when the flow rate exceeds 900 GPM on eco-ATW 9x9 models. This required option is referred to as the High Flow coil configuration.

eco-ATWB Model Number†	Weights (lbs)			Fans		Spray Pump		Coil Volume (Gallons)	Remote Sump △			Dimensions ■			
	Shipping	Heaviest Section††	Operating	HP	CFM	HP	GPM		Gallons* Required	Conn. Size	Operating Weight (lbs)	Coil A	Upper U	Lower E	Height H
eco-ATWB 9-3H9	9,460	8,020	13,450	7.5	37,660	2	410	164	250	8"	12,170	19 1/2"	6' 11 1/2"	4' 3 7/8"	11' 3 3/8"
eco-ATWB 9-3I9	9,470	8,030	13,460	10	41,440	2	410	164	250	8"	12,180	19 1/2"	6' 11 1/2"	4' 3 7/8"	11' 3 3/8"
eco-ATWB 9-3J9	9,600	8,160	13,590	15	46,620	2	410	164	250	8"	12,310	19 1/2"	6' 11 1/2"	4' 3 7/8"	11' 3 3/8"
eco-ATWB 9-3K9	9,660	8,220	13,650	20	50,540	2	410	164	250	8"	12,370	19 1/2"	6' 11 1/2"	4' 3 7/8"	11' 3 3/8"
eco-ATWB 9-4H9	11,070	9,630	15,470	7.5	36,560	2	410	215	250	8"	14,190	27"	7' 7"	4' 3 7/8"	11' 10 7/8"
eco-ATWB 9-4I9	11,080	9,640	15,480	10	40,240	2	410	215	250	8"	14,200	27"	7' 7"	4' 3 7/8"	11' 10 7/8"
eco-ATWB 9-4J9	11,210	9,770	15,610	15	45,270	2	410	215	250	8"	14,330	27"	7' 7"	4' 3 7/8"	11' 10 7/8"
eco-ATWB 9-4K9	11,270	9,830	15,670	20	49,060	2	410	215	250	8"	14,390	27"	7' 7"	4' 3 7/8"	11' 10 7/8"
eco-ATWB 9-5H9	12,790	11,350	17,610	7.5	35,460	2	410	265	250	8"	16,330	34 1/2"	8' 2 1/2"	4' 3 7/8"	12' 6 3/8"
eco-ATWB 9-5I9	12,800	11,360	17,620	10	39,030	2	410	265	250	8"	16,340	34 1/2"	8' 2 1/2"	4' 3 7/8"	12' 6 3/8"
eco-ATWB 9-5J9	12,930	11,490	17,750	15	43,910	2	410	265	250	8"	16,470	34 1/2"	8' 2 1/2"	4' 3 7/8"	12' 6 3/8"
eco-ATWB 9-5K9	12,990	11,550	17,810	20	47,590	2	410	265	250	8"	16,530	34 1/2"	8' 2 1/2"	4' 3 7/8"	12' 6 3/8"
eco-ATWB 9-6I9	14,480	13,040	19,720	10	37,820	2	410	315	250	8"	18,440	42"	8' 10"	4' 3 7/8"	13' 17/8"
eco-ATWB 9-6J9	14,610	13,170	19,850	15	42,550	2	410	315	250	8"	18,570	42"	8' 10"	4' 3 7/8"	13' 17/8"
eco-ATWB 9-6K9	14,670	13,230	19,910	20	46,120	2	410	315	250	8"	18,630	42"	8' 10"	4' 3 7/8"	13' 17/8"

† Model Numbers end in "-Z" for units with Series Flow piping configuration. Series Flow units may require additional coil connections and will require crossover piping. Model numbers will include "R" for units with Low Sound Fan(s) and "S" for units with an option that negates CTI certification.

†† Heaviest section is the coil/fan section.

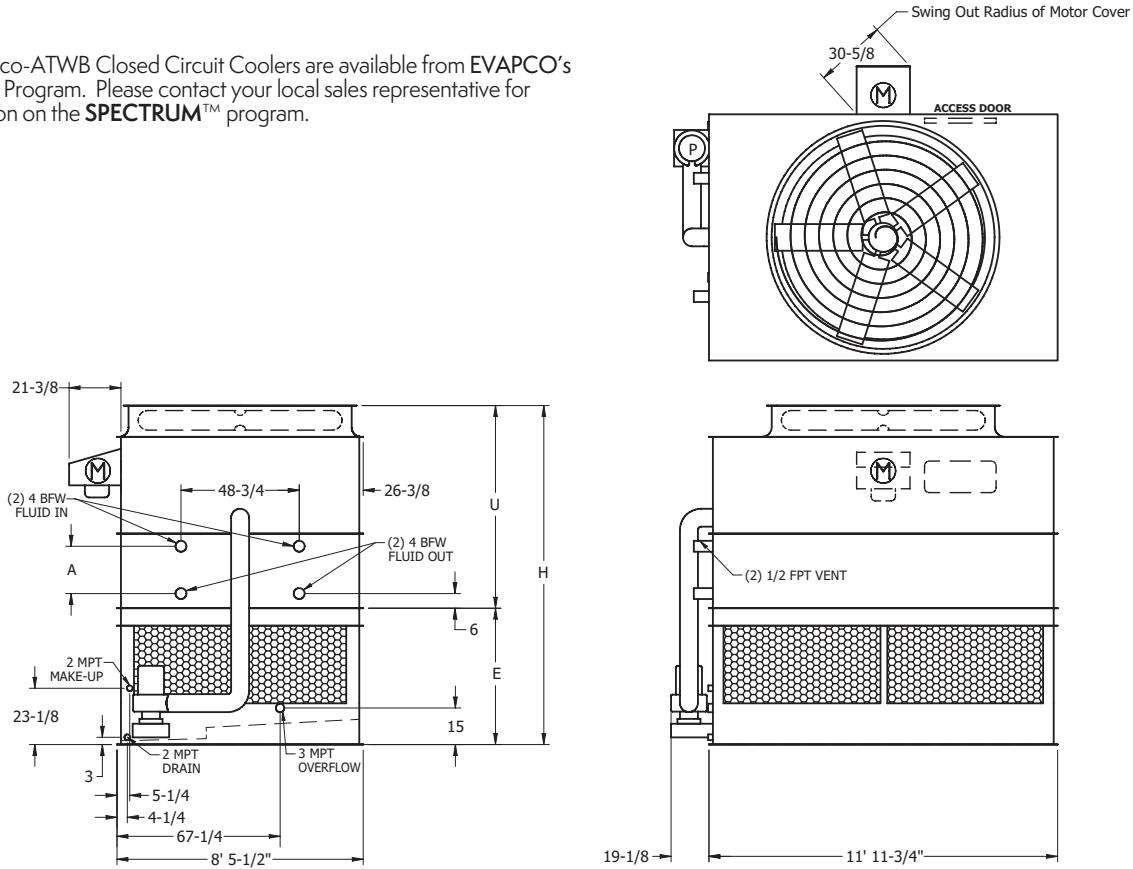
* Gallons shown is water in suspension in unit and piping. Allow for additional water in bottom of remote sump to cover pump suction and strainer during operation (12" would normally be sufficient).

△ When a remote sump arrangement is selected, the spray pump, suction strainer and associated piping are omitted; the unit is provided with an oversized outlet to facilitate drainage to the remote sump.

■ Unit dimensions and coil connections may vary slightly from catalog. See factory certified prints for dimensions, quantity of coil connections, and piping configuration. Coil connections are 4" bevel for weld (BFW). Other connection types such as grooved for mechanical coupling or flanged are also available as options.

eco-ATWB 9-3H11 to 9-6L11

Selections for eco-ATWB Closed Circuit Coolers are available from EVAPCO's **SPECTRUM™** Program. Please contact your local sales representative for more information on the **SPECTRUM™** program.



Note: The number of coil connections doubles when the flow rate exceeds 900 GPM on eco-ATW 9x11 models. This required option is referred to as the High Flow coil configuration.

eco-ATWB Model Number†	Weights (lbs)			Fans		Spray Pump		Coil Volume (Gallons)	Remote Sump △			Dimensions ■			
	Shipping	Heaviest Section††	Operating	HP	CFM	HP	GPM		Gallons* Required	Conn. Size	Operating Weight (lbs)	Coil A	Upper U	Lower E	Height H
eco-ATWB 9-3H11	10,910	9,270	15,590	7.5	41,750	3	500	190	290	10"	14,080	19 1/2"	6' 11-1/2"	4' 3-7/8"	11' 3-3/8"
eco-ATWB 9-3I11	10,930	9,290	15,610	10	45,960	3	500	190	290	10"	14,100	19 1/2"	6' 11-1/2"	4' 3-7/8"	11' 3-3/8"
eco-ATWB 9-3J11	11,050	9,410	15,730	15	52,130	3	500	190	290	10"	14,220	19 1/2"	6' 11-1/2"	4' 3-7/8"	11' 3-3/8"
eco-ATWB 9-3K11	11,110	9,470	15,790	20	56,500	3	500	190	290	10"	14,280	19 1/2"	6' 11-1/2"	4' 3-7/8"	11' 3-3/8"
eco-ATWB 9-4H11	12,780	11,140	17,950	7.5	40,540	3	500	249	290	10"	16,440	27"	7' 7"	4' 3-7/8"	11' 10-7/8"
eco-ATWB 9-4I11	12,800	11,160	17,970	10	44,620	3	500	249	290	10"	16,460	27"	7' 7"	4' 3-7/8"	11' 10-7/8"
eco-ATWB 9-4J11	12,920	11,280	18,090	15	50,610	3	500	249	290	10"	16,580	27"	7' 7"	4' 3-7/8"	11' 10-7/8"
eco-ATWB 9-4K11	12,980	11,340	18,150	20	54,860	3	500	249	290	10"	16,640	27"	7' 7"	4' 3-7/8"	11' 10-7/8"
eco-ATWB 9-5I11	14,820	13,180	20,480	10	43,280	3	500	307	290	10"	18,970	34 1/2"	8' 2-1/2"	4' 3-7/8"	12' 6-3/8"
eco-ATWB 9-5J11	14,940	13,300	20,600	15	49,090	3	500	307	290	10"	19,090	34 1/2"	8' 2-1/2"	4' 3-7/8"	12' 6-3/8"
eco-ATWB 9-5K11	15,000	13,360	20,660	20	53,210	3	500	307	290	10"	19,150	34 1/2"	8' 2-1/2"	4' 3-7/8"	12' 6-3/8"
eco-ATWB 9-5L11	15,030	13,390	20,690	25	56,640	3	500	307	290	10"	19,180	34 1/2"	8' 2-1/2"	4' 3-7/8"	12' 6-3/8"
eco-ATWB 9-6J11	16,890	15,250	23,040	15	47,570	3	500	366	290	10"	21,530	42"	8' 10"	4' 3-7/8"	13' 1-7/8"
eco-ATWB 9-6K11	16,950	15,310	23,100	20	51,560	3	500	366	290	10"	21,590	42"	8' 10"	4' 3-7/8"	13' 1-7/8"
eco-ATWB 9-6L11	16,980	15,340	23,130	25	54,890	3	500	366	290	10"	21,620	42"	8' 10"	4' 3-7/8"	13' 1-7/8"

† Model Numbers end in "-Z" for units with Series Flow piping configuration. Series Flow units may require additional coil connections and will require crossover piping. Model numbers will include "R" for units with Low Sound Fan(s) and "S" for units with an option that negates CTI certification.

†† Heaviest section is the coil/fan section.

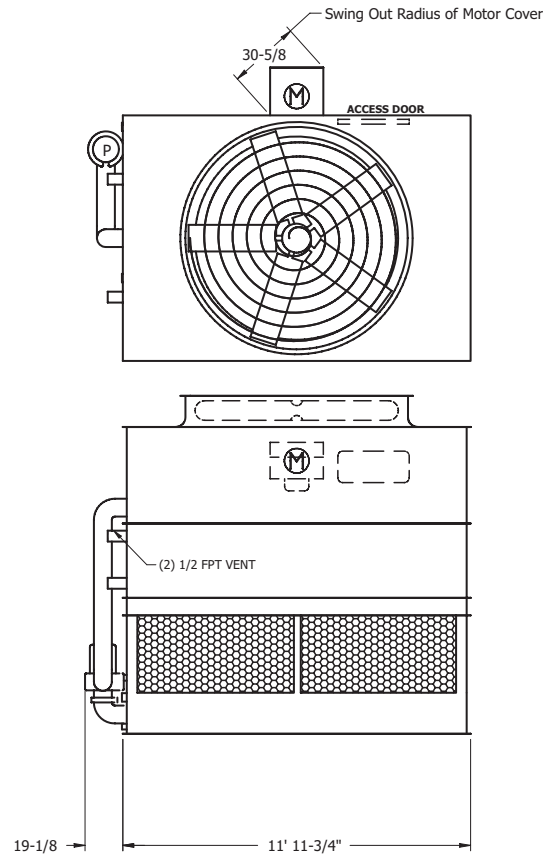
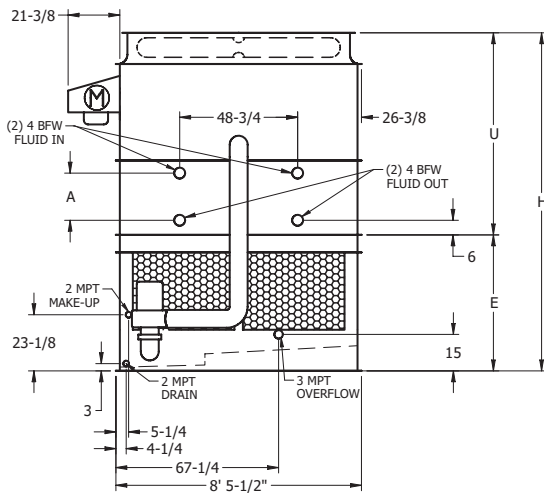
* Gallons shown is water in suspension in unit and piping. Allow for additional water in bottom of remote sump to cover pump suction and strainer during operation (12" would normally be sufficient).

△ When a remote sump arrangement is selected, the spray pump, suction strainer and associated piping are omitted; the unit is provided with an oversized outlet to facilitate drainage to the remote sump.

■ Unit dimensions and coil connections may vary slightly from catalog. See factory certified prints for dimensions, quantity of coil connections, and piping configuration. Coil connections are 4" bevel for weld (BFW). Other connection types such as grooved for mechanical coupling or flanged are also available as options.

eco-ATWB 9-3I12 to 9-6M12

Selections for eco-ATWB Closed Circuit Coolers are available from EVAPCO's **SPECTRUM™** Program. Please contact your local sales representative for more information on the **SPECTRUM™** program.



Note: The number of coil connections doubles when the flow rate exceeds 900 GPM on eco-ATW 9x12 models. This required option is referred to as the High Flow coil configuration.

eco-ATWB Model Number†	Weights (lbs)			Fans		Spray Pump		Coil Volume (Gallons)	Remote Sump △			Dimensions ■			
	Shipping	Heaviest Section††	Operating	HP	CFM	HP	GPM		Gallons* Required	Conn. Size	Operating Weight (lbs)	Coil A	Upper U	Lower E	Height H
eco-ATWB 9-3I12	11,890	10,020	17,330	10	50,310	5	550	216	330	10"	15,550	19 1/2"	6' 11 1/2"	4' 8 1/4"	11' 7 3/4"
eco-ATWB 9-3J12	12,020	10,150	17,460	15	57,490	5	550	216	330	10"	15,680	19 1/2"	6' 11 1/2"	4' 8 1/4"	11' 7 3/4"
eco-ATWB 9-3K12	12,080	10,210	17,520	20	62,310	5	550	216	330	10"	15,740	19 1/2"	6' 11 1/2"	4' 8 1/4"	11' 7 3/4"
eco-ATWB 9-3L12	12,110	10,240	17,550	25	66,330	5	550	216	330	10"	15,770	19 1/2"	6' 11 1/2"	4' 8 1/4"	11' 7 3/4"
eco-ATWB 9-4I12	14,080	12,210	20,080	10	48,850	5	550	283	330	10"	18,300	27"	7' 7"	4' 8 1/4"	12' 3 1/4"
eco-ATWB 9-4J12	14,210	12,340	20,210	15	55,810	5	550	283	330	10"	18,430	27"	7' 7"	4' 8 1/4"	12' 3 1/4"
eco-ATWB 9-4K12	14,270	12,400	20,270	20	60,490	5	550	283	330	10"	18,490	27"	7' 7"	4' 8 1/4"	12' 3 1/4"
eco-ATWB 9-4L12	14,300	12,430	20,300	25	64,390	5	550	283	330	10"	18,520	27"	7' 7"	4' 8 1/4"	12' 3 1/4"
eco-ATWB 9-5J12	16,380	14,510	22,940	15	54,140	5	550	350	330	10"	21,160	34 1/2"	8' 2 1/2"	4' 8 1/4"	12' 10 3/4"
eco-ATWB 9-5K12	16,440	14,570	23,000	20	58,680	5	550	350	330	10"	21,220	34 1/2"	8' 2 1/2"	4' 8 1/4"	12' 10 3/4"
eco-ATWB 9-5L12	16,470	14,600	23,030	25	62,460	5	550	350	330	10"	21,250	34 1/2"	8' 2 1/2"	4' 8 1/4"	12' 10 3/4"
eco-ATWB 9-5M12	16,520	14,650	23,080	30	65,730	5	550	350	330	10"	21,300	34 1/2"	8' 2 1/2"	4' 8 1/4"	12' 10 3/4"
eco-ATWB 9-6J12	18,620	16,750	25,740	15	52,460	5	550	418	330	10"	23,960	42"	8' 10"	4' 8 1/4"	13' 6 1/4"
eco-ATWB 9-6K12	18,680	16,810	25,800	20	56,860	5	550	418	330	10"	24,020	42"	8' 10"	4' 8 1/4"	13' 6 1/4"
eco-ATWB 9-6L12	18,710	16,840	25,830	25	60,530	5	550	418	330	10"	24,050	42"	8' 10"	4' 8 1/4"	13' 6 1/4"
eco-ATWB 9-6M12	18,760	16,890	25,880	30	63,700	5	550	418	330	10"	24,100	42"	8' 10"	4' 8 1/4"	13' 6 1/4"

† Model Numbers end in "-Z" for units with Series Flow piping configuration. Series Flow units may require additional coil connections and will require crossover piping. Model numbers will include "R" for units with Low Sound Fan(s) and "S" for units with an option that negates CTI certification.

†† Heaviest section is the coil/fan section.

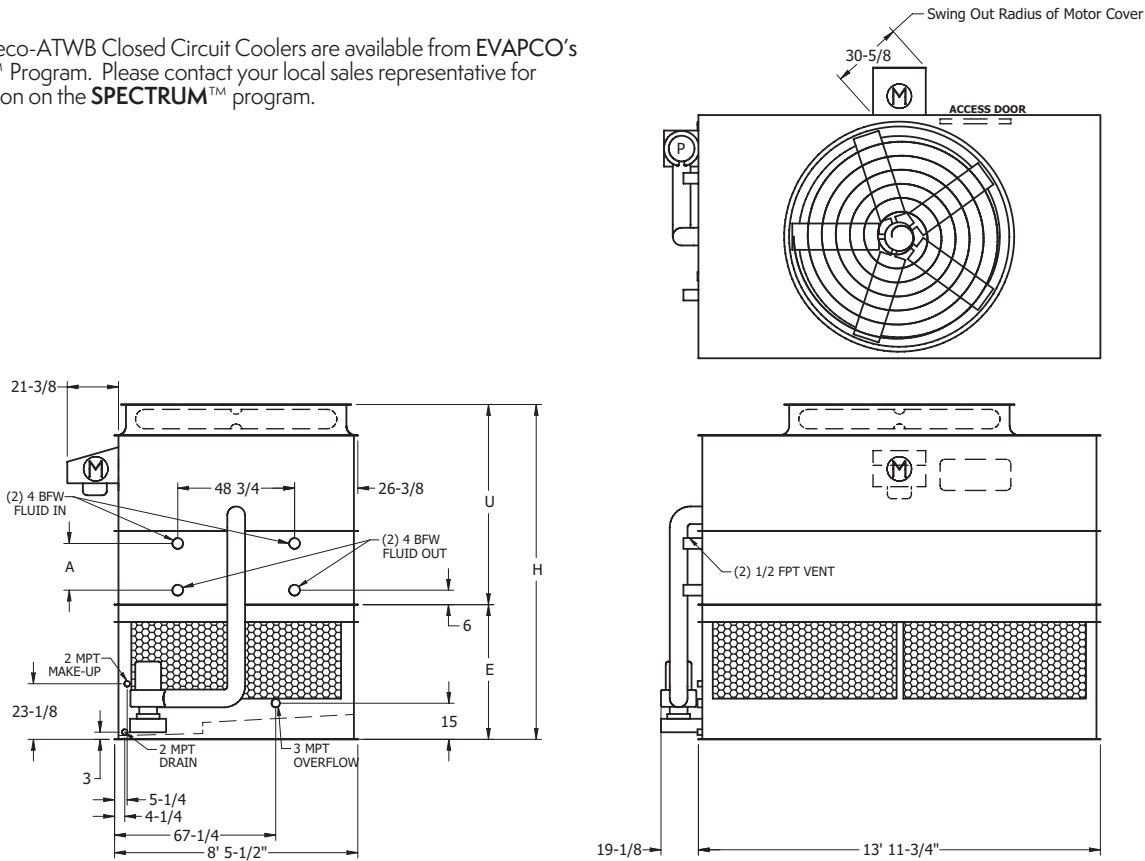
* Gallons shown is water in suspension in unit and piping. Allow for additional water in bottom of remote sump to cover pump suction and strainer during operation (12" would normally be sufficient).

△ When a remote sump arrangement is selected, the spray pump, suction strainer and associated piping are omitted; the unit is provided with an oversized outlet to facilitate drainage to the remote sump.

■ Unit dimensions and coil connections may vary slightly from catalog. See factory certified prints for dimensions, quantity of coil connections, and piping configuration. Coil connections are 4" bevel for weld (BFW). Other connection types such as grooved for mechanical coupling or flanged are also available as options.

eco-ATWB 9-3I14 to 9-6M14

Selections for eco-ATWB Closed Circuit Coolers are available from EVAPCO's **SPECTRUM™** Program. Please contact your local sales representative for more information on the **SPECTRUM™** program.



Note: The number of coil connections doubles when the flow rate exceeds 900 GPM on eco-ATW 9x14 models. This required option is referred to as the High Flow coil configuration.

eco-ATWB Model Number†	Weights (lbs)			Fans		Spray Pump		Coil Volume (Gallons)	Remote Sump △			Dimensions ■			
	Shipping	Heaviest Section††	Operating	HP	CFM	HP	GPM		Gallons* Required	Conn. Size	Operating Weight (lbs)	Coil A	Upper U	Lower E	Height H
eco-ATWB 9-3I14	13,500	11,420	19,810	10	55,780	5	600	250	380	10"	17,780	19-1/2"	6' 11-1/2"	4' 8-1/4"	11' 7-3/4"
eco-ATWB 9-3J14	13,630	11,550	19,940	15	63,850	5	600	250	380	10"	17,910	19-1/2"	6' 11-1/2"	4' 8-1/4"	11' 7-3/4"
eco-ATWB 9-3K14	13,690	11,610	20,000	20	69,640	5	600	250	380	10"	17,970	19-1/2"	6' 11-1/2"	4' 8-1/4"	11' 7-3/4"
eco-ATWB 9-3L14	13,720	11,640	20,030	25	74,130	5	600	250	380	10"	18,000	19-1/2"	6' 11-1/2"	4' 8-1/4"	11' 7-3/4"
eco-ATWB 9-4J14	16,160	14,080	23,130	15	61,990	5	600	329	380	10"	21,100	27"	7' 7"	4' 8-1/4"	12' 3-1/4"
eco-ATWB 9-4K14	16,220	14,140	23,190	20	67,620	5	600	329	380	10"	21,160	27"	7' 7"	4' 8-1/4"	12' 3-1/4"
eco-ATWB 9-4L14	16,250	14,170	23,220	25	71,970	5	600	329	380	10"	21,190	27"	7' 7"	4' 8-1/4"	12' 3-1/4"
eco-ATWB 9-4M14	16,300	14,220	23,270	30	75,740	5	600	329	380	10"	21,240	27"	7' 7"	4' 8-1/4"	12' 3-1/4"
eco-ATWB 9-5J14	18,700	16,620	26,320	15	60,130	5	600	407	380	10"	24,290	34-1/2"	8' 2-1/2"	4' 8-1/4"	12' 10-3/4"
eco-ATWB 9-5K14	18,760	16,680	26,380	20	65,590	5	600	407	380	10"	24,350	34-1/2"	8' 2-1/2"	4' 8-1/4"	12' 10-3/4"
eco-ATWB 9-5L14	18,790	16,710	26,410	25	69,820	5	600	407	380	10"	24,380	34-1/2"	8' 2-1/2"	4' 8-1/4"	12' 10-3/4"
eco-ATWB 9-5M14	18,840	16,760	26,460	30	73,470	5	600	407	380	10"	24,430	34-1/2"	8' 2-1/2"	4' 8-1/4"	12' 10-3/4"
eco-ATWB 9-6K14	21,360	19,280	29,640	20	63,560	5	600	486	380	10"	27,610	42"	8' 10"	4' 8-1/4"	13' 6-1/4"
eco-ATWB 9-6L14	21,390	19,310	29,670	25	67,660	5	600	486	380	10"	27,640	42"	8' 10"	4' 8-1/4"	13' 6-1/4"
eco-ATWB 9-6M14	21,440	19,360	29,720	30	71,200	5	600	486	380	10"	27,690	42"	8' 10"	4' 8-1/4"	13' 6-1/4"

† Model Numbers end in "-Z" for units with Series Flow piping configuration. Series Flow units may require additional coil connections and will require crossover piping. Model numbers will include "R" for units with Low Sound Fan(s) and "S" for units with an option that negates CTI certification.

†† Heaviest section is the coil/fan section.

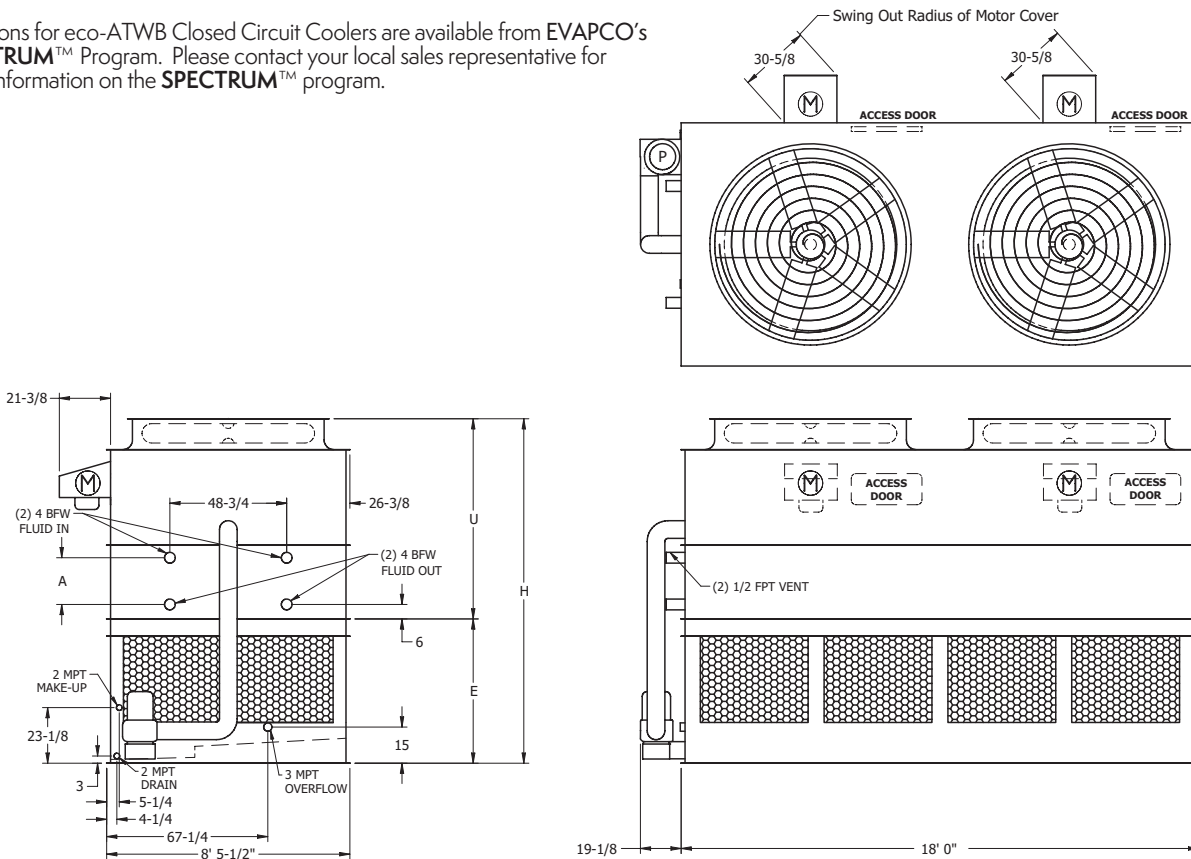
* Gallons shown is water in suspension in unit and piping. Allow for additional water in bottom of remote sump to cover pump suction and strainer during operation (12" would normally be sufficient).

△ When a remote sump arrangement is selected, the spray pump, suction strainer and associated piping are omitted; the unit is provided with an oversized outlet to facilitate drainage to the remote sump.

■ Unit dimensions and coil connections may vary slightly from catalog. See factory certified prints for dimensions, quantity of coil connections, and piping configuration. Coil connections are 4" bevel for weld (BFW). Other connection types such as grooved for mechanical coupling or flanged are also available as options.

eco-ATWB 9-3-H18 to 9-6K18

Selections for eco-ATWB Closed Circuit Coolers are available from EVAPCO's **SPECTRUM™** Program. Please contact your local sales representative for more information on the **SPECTRUM™** program.



Note: The number of coil connections doubles when the flow rate exceeds 900 GPM on eco-ATW 9x18 models. This required option is referred to as the High Flow coil configuration.

eco-ATWB Model Number†	Weights (lbs)			Fans		Spray Pump		Coil Volume (Gallons)	Remote Sump △			Dimensions ■			
	Shipping	Heaviest Section††	Operating	HP	CFM	HP	GPM		Gallons* Required	Conn. Size	Operating Weight (lbs)	Coil A	Upper U	Lower E	Height H
eco-ATWB 9-3H18	18,000	15,210	26,170	(2) 7.5	75,570	5	800	319	510	12"	23,620	19-1/2"	6' 11-1/2"	5' 1/4"	11' 11-3/4"
eco-ATWB 9-3I18	18,030	15,240	26,200	(2) 10	83,180	5	800	319	510	12"	23,650	19-1/2"	6' 11-1/2"	5' 1/4"	11' 11-3/4"
eco-ATWB 9-3J18	18,280	15,490	26,450	(2) 15	93,600	5	800	319	510	12"	23,900	19-1/2"	6' 11-1/2"	5' 1/4"	11' 11-3/4"
eco-ATWB 9-3K18	18,400	15,610	26,570	(2) 20	101,450	5	800	319	510	12"	24,020	19-1/2"	6' 11-1/2"	5' 1/4"	11' 11-3/4"
eco-ATWB 9-4H18	21,300	18,510	30,310	(2) 7.5	73,370	5	800	420	510	12"	27,760	27"	7' 7"	5' 1/4"	12' 7-1/4"
eco-ATWB 9-4I18	21,330	18,540	30,340	(2) 10	80,760	5	800	420	510	12"	27,790	27"	7' 7"	5' 1/4"	12' 7-1/4"
eco-ATWB 9-4J18	21,580	18,790	30,590	(2) 15	90,880	5	800	420	510	12"	28,040	27"	7' 7"	5' 1/4"	12' 7-1/4"
eco-ATWB 9-4K18	21,700	18,910	30,710	(2) 20	98,500	5	800	420	510	12"	28,160	27"	7' 7"	5' 1/4"	12' 7-1/4"
eco-ATWB 9-5H18	24,520	21,730	34,380	(2) 7.5	71,170	5	800	522	510	12"	31,830	34-1/2"	8' 2-1/2"	5' 1/4"	13' 2-3/4"
eco-ATWB 9-5I18	24,550	21,760	34,410	(2) 10	78,330	5	800	522	510	12"	31,860	34-1/2"	8' 2-1/2"	5' 1/4"	13' 2-3/4"
eco-ATWB 9-5J18	24,800	22,010	34,660	(2) 15	88,150	5	800	522	510	12"	32,110	34-1/2"	8' 2-1/2"	5' 1/4"	13' 2-3/4"
eco-ATWB 9-5K18	24,920	22,130	34,780	(2) 20	95,540	5	800	522	510	12"	32,230	34-1/2"	8' 2-1/2"	5' 1/4"	13' 2-3/4"
eco-ATWB 9-6I18	27,920	25,130	38,630	(2) 10	75,910	5	800	623	510	12"	36,080	42"	8' 10"	5' 1/4"	13' 10-1/4"
eco-ATWB 9-6J18	28,170	25,380	38,880	(2) 15	85,420	5	800	623	510	12"	36,330	42"	8' 10"	5' 1/4"	13' 10-1/4"
eco-ATWB 9-6K18	28,290	25,500	39,000	(2) 20	92,590	5	800	623	510	12"	36,450	42"	8' 10"	5' 1/4"	13' 10-1/4"

† Model Numbers end in "-Z" for units with Series Flow piping configuration. Series Flow units may require additional coil connections and will require crossover piping. Model numbers will include "R" for units with Low Sound Fan(s) and "S" for units with an option that negates CTI certification.

†† Heaviest section is the coil/fan section.

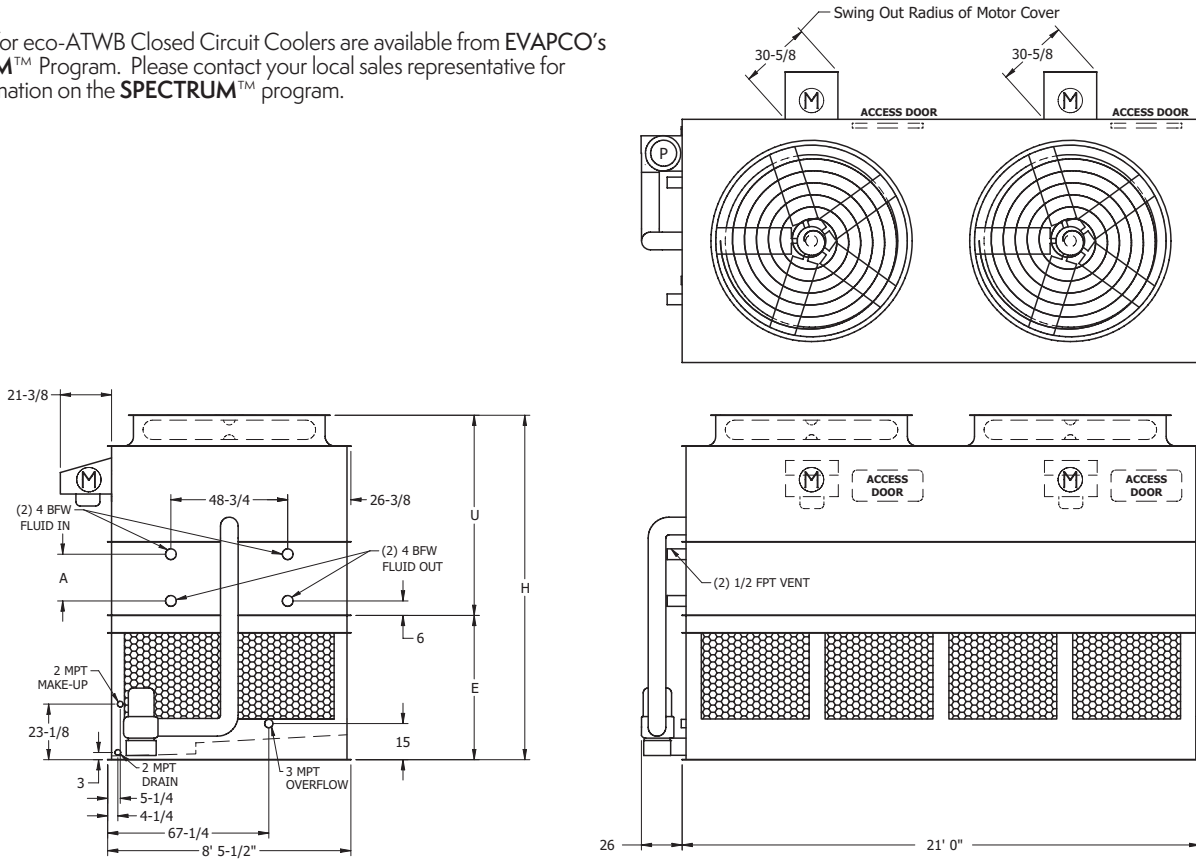
* Gallons shown is water in suspension in unit and piping. Allow for additional water in bottom of remote sump to cover pump suction and strainer during operation (12" would normally be sufficient).

△ When a remote sump arrangement is selected, the spray pump, suction strainer and associated piping are omitted; the unit is provided with an oversized outlet to facilitate drainage to the remote sump.

■ Unit dimensions and coil connections may vary slightly from catalog. See factory certified prints for dimensions, quantity of coil connections, and piping configuration. Coil connections are 4" bevel for weld (BFW). Other connection types such as grooved for mechanical coupling or flanged are also available as options.

eco-ATWB 9-3H21 to 9-6L21

Selections for eco-ATWB Closed Circuit Coolers are available from EVAPCO's **SPECTRUM™** Program. Please contact your local sales representative for more information on the **SPECTRUM™** program.



Note: The number of coil connections doubles when the flow rate exceeds 900 GPM on eco-ATW 9x21 models. This required option is referred to as the High Flow coil configuration.

eco-ATWB Model Number†	Weights (lbs)			Fans		Spray Pump	Coil Volume (Gallons)	Remote Sump △			Dimensions ■				
	Shipping	Heaviest Section††	Operating	HP	CFM	HP		GPM	Gallons* Required	Conn. Size	Operating Weight (lbs)	Coil A	Upper U	Lower E	Height H
eco-ATWB 9-3H21	20,520	17,420	30,130	(2) 7.5	83,760	7-1/2	1050	370	590	12"	27,160	19-1/2"	6' 11-1/2"	5' 1/4"	11' 11-3/4"
eco-ATWB 9-3I21	20,550	17,450	30,160	(2) 10	92,190	7-1/2	1050	370	590	12"	27,190	19-1/2"	6' 11-1/2"	5' 1/4"	11' 11-3/4"
eco-ATWB 9-3J21	20,800	17,700	30,410	(2) 15	104,590	7-1/2	1050	370	590	12"	27,440	19-1/2"	6' 11-1/2"	5' 1/4"	11' 11-3/4"
eco-ATWB 9-3K21	20,920	17,820	30,530	(2) 20	113,370	7-1/2	1050	370	590	12"	27,560	19-1/2"	6' 11-1/2"	5' 1/4"	11' 11-3/4"
eco-ATWB 9-4H21	24,370	21,270	34,970	(2) 7.5	81,320	7-1/2	1050	489	590	12"	32,000	27"	7' 7"	5' 1/4"	12' 7-1/4"
eco-ATWB 9-4I21	24,400	21,300	35,000	(2) 10	89,500	7-1/2	1050	489	590	12"	32,030	27"	7' 7"	5' 1/4"	12' 7-1/4"
eco-ATWB 9-4J21	24,650	21,550	35,250	(2) 15	101,550	7-1/2	1050	489	590	12"	32,280	27"	7' 7"	5' 1/4"	12' 7-1/4"
eco-ATWB 9-4K21	24,770	21,670	35,370	(2) 20	110,070	7-1/2	1050	489	590	12"	32,400	27"	7' 7"	5' 1/4"	12' 7-1/4"
eco-ATWB 9-5I21	28,150	25,050	39,740	(2) 10	86,820	7-1/2	1050	608	590	12"	36,770	34-1/2"	8' 2-1/2"	5' 1/4"	13' 2-3/4"
eco-ATWB 9-5J21	28,400	25,300	39,990	(2) 15	98,500	7-1/2	1050	608	590	12"	37,020	34-1/2"	8' 2-1/2"	5' 1/4"	13' 2-3/4"
eco-ATWB 9-5K21	28,520	25,420	40,110	(2) 20	106,760	7-1/2	1050	608	590	12"	37,140	34-1/2"	8' 2-1/2"	5' 1/4"	13' 2-3/4"
eco-ATWB 9-5L21	28,580	25,480	40,170	(2) 25	113,650	7-1/2	1050	608	590	12"	37,200	34-1/2"	8' 2-1/2"	5' 1/4"	13' 2-3/4"
eco-ATWB 9-6J21	32,310	29,210	44,890	(2) 15	95,460	7-1/2	1050	726	590	12"	41,920	42"	8' 10"	5' 1/4"	13' 10-1/4"
eco-ATWB 9-6K21	32,430	29,330	45,010	(2) 20	103,460	7-1/2	1050	726	590	12"	42,040	42"	8' 10"	5' 1/4"	13' 10-1/4"
eco-ATWB 9-6L21	32,490	29,390	45,070	(2) 25	110,130	7-1/2	1050	726	590	12"	42,100	42"	8' 10"	5' 1/4"	13' 10-1/4"

† Model Numbers end in "-Z" for units with Series Flow piping configuration. Series Flow units may require additional coil connections and will require crossover piping. Model numbers will include "R" for units with Low Sound Fan(s) and "S" for units with an option that negates CTI certification.

†† Heaviest section is the coil/fan section.

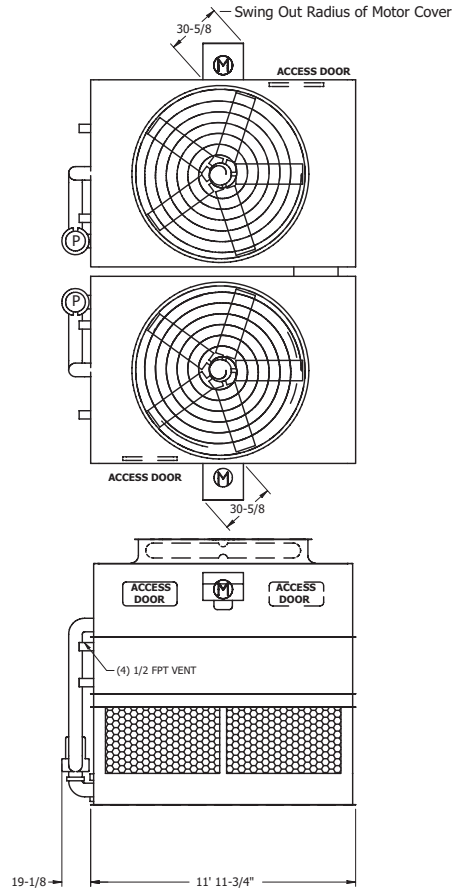
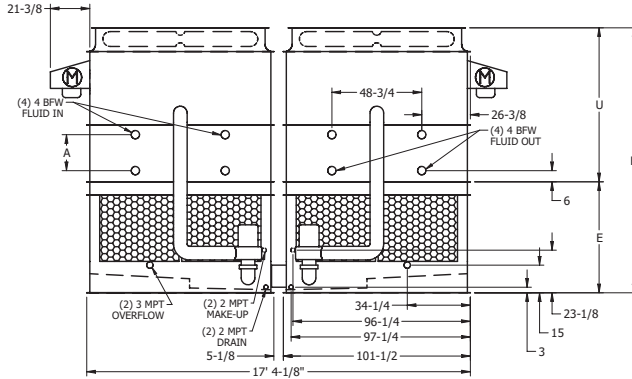
* Gallons shown is water in suspension in unit and piping. Allow for additional water in bottom of remote sump to cover pump suction and strainer during operation (12" would normally be sufficient).

△ When a remote sump arrangement is selected, the spray pump, suction strainer and associated piping are omitted; the unit is provided with an oversized outlet to facilitate drainage to the remote sump.

■ Unit dimensions and coil connections may vary slightly from catalog. See factory certified prints for dimensions, quantity of coil connections, and piping configuration. Coil connections are 4" bevel for weld (BFW). Other connection types such as grooved for mechanical coupling or flanged are also available as options.

eco-ATWB 17-3I12 to 17-6M12

Selections for eco-ATWB Closed Circuit Coolers are available from EVAPCO's **SPECTRUM™** Program. Please contact your local sales representative for more information on the **SPECTRUM™** program.



Note: The number of coil connections doubles when the flow rate exceeds 1,800 GPM on eco-ATW 17x12 models. This required option is referred to as the High Flow coil configuration.

eco-ATWB Model Number†	Weights (lbs)			Fans		Spray Pump		Coil Volume (Gallons)	Remote Sump △			Dimensions ■			
	Shipping	Heaviest Section††	Operating	HP	CFM	HP	GPM		Gallons*‡	Conn. Size	Operating Weight (lbs)	Coil A	Upper U	Lower E	Height H
eco-ATWB 17-3I12	23,780	10,020	34,660	(2) 10	100,630	(2) 5	1100	432	660	(2) 10"	31,100	19-1/2"	6' 11-1/2"	5' 1/4"	11' 11-3/4"
eco-ATWB 17-3J12	24,040	10,150	34,920	(2) 15	114,970	(2) 5	1100	432	660	(2) 10"	31,360	19-1/2"	6' 11-1/2"	5' 1/4"	11' 11-3/4"
eco-ATWB 17-3K12	24,160	10,210	35,040	(2) 20	124,620	(2) 5	1100	432	660	(2) 10"	31,480	19-1/2"	6' 11-1/2"	5' 1/4"	11' 11-3/4"
eco-ATWB 17-3L12	24,220	10,240	35,100	(2) 25	132,650	(2) 5	1100	432	660	(2) 10"	31,540	19-1/2"	6' 11-1/2"	5' 1/4"	11' 11-3/4"
eco-ATWB 17-4I12	28,160	12,210	40,160	(2) 10	97,700	(2) 5	1100	566	660	(2) 10"	36,600	27"	7' 7"	5' 1/4"	12' 7-1/4"
eco-ATWB 17-4J12	28,420	12,340	40,420	(2) 15	111,620	(2) 5	1100	566	660	(2) 10"	36,860	27"	7' 7"	5' 1/4"	12' 7-1/4"
eco-ATWB 17-4K12	28,540	12,400	40,540	(2) 20	120,990	(2) 5	1100	566	660	(2) 10"	36,980	27"	7' 7"	5' 1/4"	12' 7-1/4"
eco-ATWB 17-4L12	28,600	12,430	40,600	(2) 25	128,790	(2) 5	1100	566	660	(2) 10"	37,040	27"	7' 7"	5' 1/4"	12' 7-1/4"
eco-ATWB 17-5J12	32,760	14,510	45,880	(2) 15	108,280	(2) 5	1100	701	660	(2) 10"	42,320	34-1/2"	8' 2-1/2"	5' 1/4"	13' 2-3/4"
eco-ATWB 17-5K12	32,880	14,570	46,000	(2) 20	117,360	(2) 5	1100	701	660	(2) 10"	42,440	34-1/2"	8' 2-1/2"	5' 1/4"	13' 2-3/4"
eco-ATWB 17-5L12	32,940	14,600	46,060	(2) 25	124,920	(2) 5	1100	701	660	(2) 10"	42,500	34-1/2"	8' 2-1/2"	5' 1/4"	13' 2-3/4"
eco-ATWB 17-5M12	33,040	14,650	46,160	(2) 30	131,470	(2) 5	1100	701	660	(2) 10"	42,600	34-1/2"	8' 2-1/2"	5' 1/4"	13' 2-3/4"
eco-ATWB 17-6J12	37,240	16,750	51,480	(2) 15	104,930	(2) 5	1100	835	660	(2) 10"	47,920	42"	8' 10"	5' 1/4"	13' 10-1/4"
eco-ATWB 17-6K12	37,360	16,810	51,600	(2) 20	113,730	(2) 5	1100	835	660	(2) 10"	48,040	42"	8' 10"	5' 1/4"	13' 10-1/4"
eco-ATWB 17-6L12	37,420	16,840	51,660	(2) 25	121,060	(2) 5	1100	835	660	(2) 10"	48,100	42"	8' 10"	5' 1/4"	13' 10-1/4"
eco-ATWB 17-6M12	37,520	16,890	51,760	(2) 30	127,400	(2) 5	1100	835	660	(2) 10"	48,200	42"	8' 10"	5' 1/4"	13' 10-1/4"

† Model Numbers end in "-Z" for units with Series Flow piping configuration. Series Flow units may require additional coil connections and will require crossover piping. Model numbers will include "R" for units with Low Sound Fan(s) and "S" for units with an option that negates CTI certification.

†† Heaviest section is the coil/fan section.

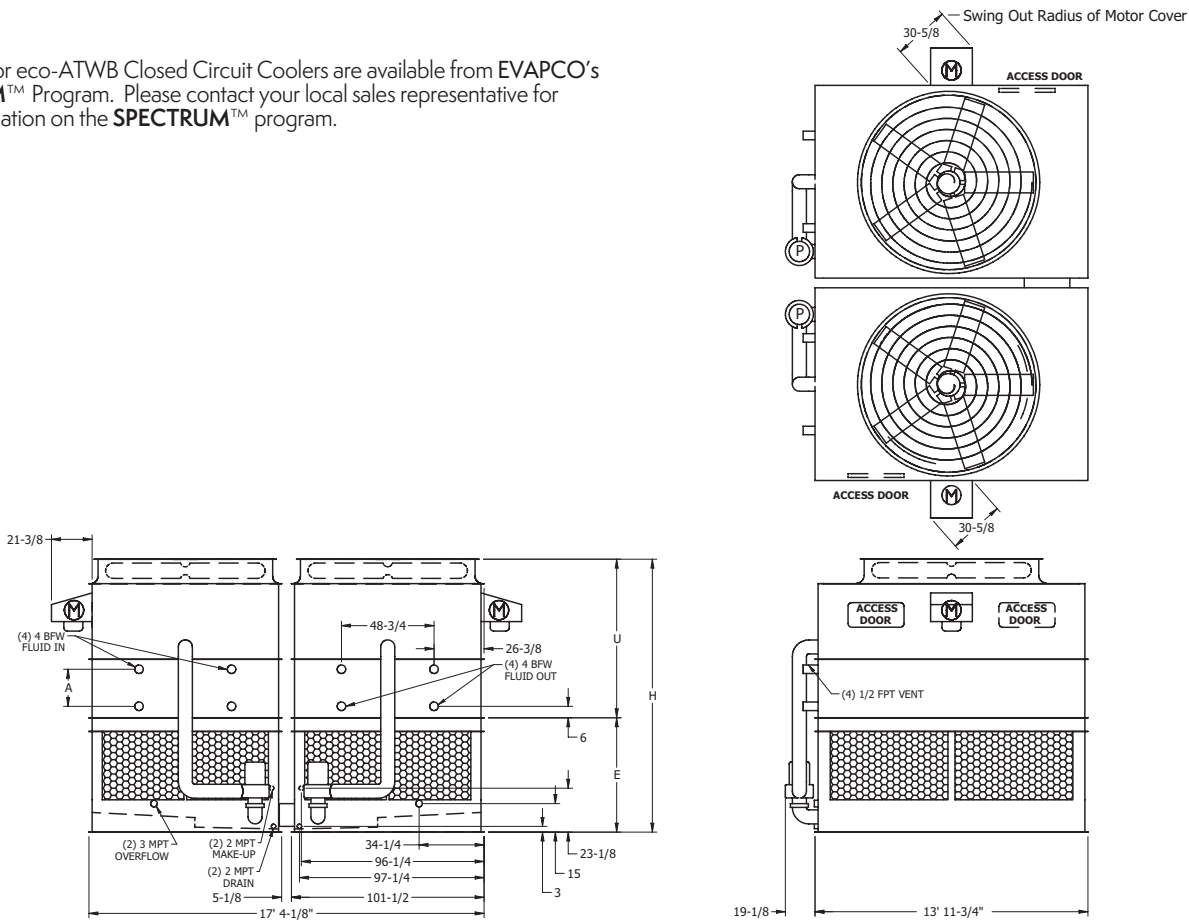
* Gallons shown is water in suspension in unit and piping. Allow for additional water in bottom of remote sump to cover pump suction and strainer during operation (12" would normally be sufficient).

△ When a remote sump arrangement is selected, the spray pump, suction strainer and associated piping are omitted; the unit is provided with an oversized outlet to facilitate drainage to the remote sump.

■ Unit dimensions and coil connections may vary slightly from catalog. See factory certified prints for dimensions, quantity of coil connections, and piping configuration. Coil connections are 4" bevel for weld (BFW). Other connection types such as grooved for mechanical coupling or flanged are also available as options.

eco-ATWB 17-3I14 to 17-6M14

Selections for eco-ATWB Closed Circuit Coolers are available from EVAPCO's **SPECTRUM™** Program. Please contact your local sales representative for more information on the **SPECTRUM™** program.



Note: The number of coil connections doubles when the flow rate exceeds 1,800 GPM on eco-ATW 17x14 models. This required option is referred to as the High Flow coil configuration.

eco-ATWB Model Number†	Weights (lbs)			Fans		Spray Pump		Coil Volume (Gallons)	Remote Sump △			Dimensions ■			
	Shipping	Heaviest Section††	Operating	HP	CFM	HP	GPM		Gallons* Required	Conn. Size	Operating Weight (lbs)	Coil A	Upper U	Lower E	Height H
eco-ATWB 17-3I14	27,000	11,420	39,620	(2) 10	111,550	(2) 5	1200	500	760	(2) 10"	35,560	19-1/2"	6' 11-1/2"	5' 6-1/4"	12' 5-3/4"
eco-ATWB 17-3J14	27,260	11,550	39,880	(2) 15	127,690	(2) 5	1200	500	760	(2) 10"	35,820	19-1/2"	6' 11-1/2"	5' 6-1/4"	12' 5-3/4"
eco-ATWB 17-3K14	27,380	11,610	40,000	(2) 20	139,290	(2) 5	1200	500	760	(2) 10"	35,940	19-1/2"	6' 11-1/2"	5' 6-1/4"	12' 5-3/4"
eco-ATWB 17-3L14	27,440	11,640	40,060	(2) 25	148,270	(2) 5	1200	500	760	(2) 10"	36,000	19-1/2"	6' 11-1/2"	5' 6-1/4"	12' 5-3/4"
eco-ATWB 17-4J14	32,320	14,080	46,260	(2) 15	123,970	(2) 5	1200	658	760	(2) 10"	42,200	27"	7' 7"	5' 6-1/4"	13' 1-1/4"
eco-ATWB 17-4K14	32,440	14,140	46,380	(2) 20	135,230	(2) 5	1200	658	760	(2) 10"	42,320	27"	7' 7"	5' 6-1/4"	13' 1-1/4"
eco-ATWB 17-4L14	32,500	14,170	46,440	(2) 25	143,950	(2) 5	1200	658	760	(2) 10"	42,380	27"	7' 7"	5' 6-1/4"	13' 1-1/4"
eco-ATWB 17-4M14	32,600	14,220	46,540	(2) 30	151,490	(2) 5	1200	658	760	(2) 10"	42,480	27"	7' 7"	5' 6-1/4"	13' 1-1/4"
eco-ATWB 17-5J14	37,400	16,620	52,640	(2) 15	120,250	(2) 5	1200	815	760	(2) 10"	48,580	34-1/2"	8' 2-1/2"	5' 6-1/4"	13' 8-3/4"
eco-ATWB 17-5K14	37,520	16,680	52,760	(2) 20	131,170	(2) 5	1200	815	760	(2) 10"	48,700	34-1/2"	8' 2-1/2"	5' 6-1/4"	13' 8-3/4"
eco-ATWB 17-5L14	37,580	16,710	52,820	(2) 25	139,630	(2) 5	1200	815	760	(2) 10"	48,760	34-1/2"	8' 2-1/2"	5' 6-1/4"	13' 8-3/4"
eco-ATWB 17-5M14	37,680	16,760	52,920	(2) 30	146,940	(2) 5	1200	815	760	(2) 10"	48,860	34-1/2"	8' 2-1/2"	5' 6-1/4"	13' 8-3/4"
eco-ATWB 17-6K14	42,720	19,280	59,280	(2) 20	127,120	(2) 5	1200	972	760	(2) 10"	55,220	42"	8' 10"	5' 6-1/4"	14' 4-1/4"
eco-ATWB 17-6L14	42,780	19,310	59,340	(2) 25	135,310	(2) 5	1200	972	760	(2) 10"	55,280	42"	8' 10"	5' 6-1/4"	14' 4-1/4"
eco-ATWB 17-6M14	42,880	19,360	59,440	(2) 30	142,400	(2) 5	1200	972	760	(2) 10"	55,380	42"	8' 10"	5' 6-1/4"	14' 4-1/4"

† Model Numbers end in "-Z" for units with Series Flow piping configuration. Series Flow units may require additional coil connections and will require crossover piping. Model numbers will include "R" for units with Low Sound Fan(s) and "S" for units with an option that negates CTI certification.

†† Heaviest section is the coil/fan section.

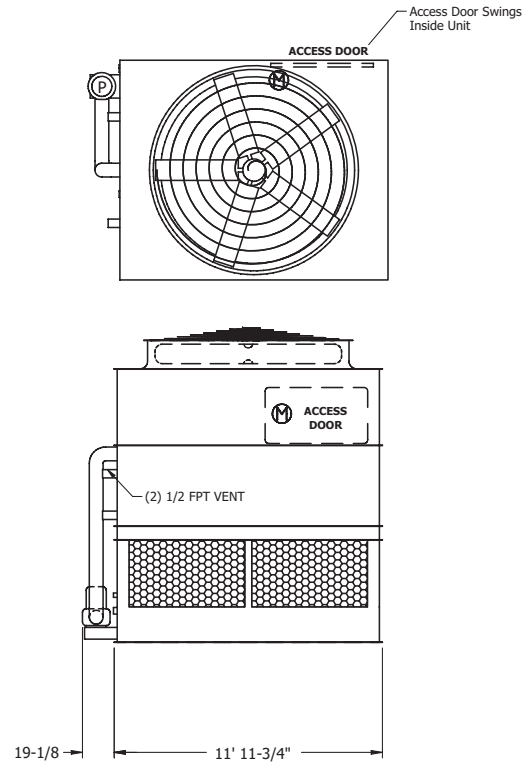
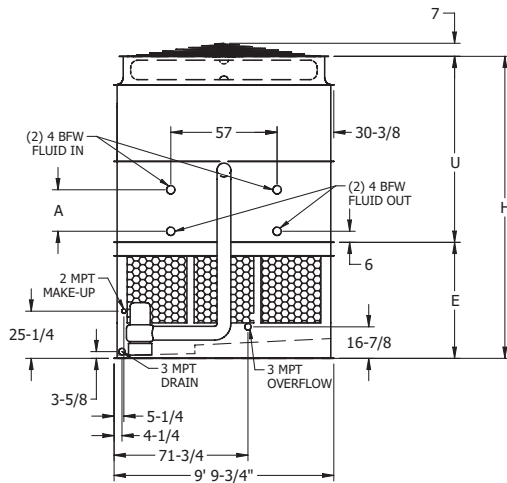
* Gallons shown is water in suspension in unit and piping. Allow for additional water in bottom of remote sump to cover pump suction and strainer during operation (12" would normally be sufficient).

△ When a remote sump arrangement is selected, the spray pump, suction strainer and associated piping are omitted; the unit is provided with an oversized outlet to facilitate drainage to the remote sump.

■ Unit dimensions and coil connections may vary slightly from catalog. See factory certified prints for dimensions, quantity of coil connections, and piping configuration. Coil connections are 4" bevel for weld (BFW). Other connection types such as grooved for mechanical coupling or flanged are also available as options.

eco-ATWB 10-3I12 to 10-6M12

Selections for eco-ATWB Closed Circuit Coolers are available from EVAPCO's **SPECTRUM™** Program. Please contact your local sales representative for more information on the **SPECTRUM™** program.



Note: The number of coil connections doubles when the flow rate exceeds 900 GPM on eco-ATW 10x12 models. This required option is referred to as the High Flow coil configuration.

eco-ATWB Model Number†	Weights (lbs)			Fans		Spray Pump		Coil Volume (Gallons)	Remote Sump △			Dimensions ■			
	Shipping	Heaviest Section††	Operating	HP	CFM	HP	GPM		Gallons* Required	Conn. Size	Operating Weight (lbs)	Coil A	Upper U	Lower E	Height H
eco-ATWB 10-3I12	14,590	12,040	22,100	10	55,680	5	685	253	420	12"	18,530	22 1/4"	8' 3 5/8"	5' 2 1/4"	13' 5 7/8"
eco-ATWB 10-3J12	14,720	12,170	22,230	15	63,740	5	685	253	420	12"	18,660	22 1/4"	8' 3 5/8"	5' 2 1/4"	13' 5 7/8"
eco-ATWB 10-3K12	14,780	12,230	22,290	20	69,520	5	685	253	420	12"	18,720	22 1/4"	8' 3 5/8"	5' 2 1/4"	13' 5 7/8"
eco-ATWB 10-3L12	14,810	12,260	22,320	25	74,000	5	685	253	420	12"	18,750	22 1/4"	8' 3 5/8"	5' 2 1/4"	13' 5 7/8"
eco-ATWB 10-3M12	14,860	12,310	22,370	30	77,870	5	685	253	420	12"	18,800	22 1/4"	8' 3 5/8"	5' 2 1/4"	13' 5 7/8"
eco-ATWB 10-4I12	17,180	14,630	25,350	10	54,060	5	685	332	420	12"	21,780	30 3/4"	9' 1/8"	5' 2 1/4"	14' 2 3/8"
eco-ATWB 10-4J12	17,310	14,760	25,480	15	61,880	5	685	332	420	12"	21,910	30 3/4"	9' 1/8"	5' 2 1/4"	14' 2 3/8"
eco-ATWB 10-4K12	17,370	14,820	25,540	20	67,490	5	685	332	420	12"	21,970	30 3/4"	9' 1/8"	5' 2 1/4"	14' 2 3/8"
eco-ATWB 10-4L12	17,400	14,850	25,570	25	71,840	5	685	332	420	12"	22,000	30 3/4"	9' 1/8"	5' 2 1/4"	14' 2 3/8"
eco-ATWB 10-4M12	17,450	14,900	25,620	30	75,610	5	685	332	420	12"	22,050	30 3/4"	9' 1/8"	5' 2 1/4"	14' 2 3/8"
eco-ATWB 10-5I12	19,660	17,110	28,490	10	52,440	5	685	411	420	12"	24,920	39 1/4"	9' 8 5/8"	5' 2 1/4"	14' 10 7/8"
eco-ATWB 10-5J12	19,790	17,240	28,620	15	60,020	5	685	411	420	12"	25,050	39 1/4"	9' 8 5/8"	5' 2 1/4"	14' 10 7/8"
eco-ATWB 10-5K12	19,850	17,300	28,680	20	65,470	5	685	411	420	12"	25,110	39 1/4"	9' 8 5/8"	5' 2 1/4"	14' 10 7/8"
eco-ATWB 10-5L12	19,880	17,330	28,710	25	69,690	5	685	411	420	12"	25,140	39 1/4"	9' 8 5/8"	5' 2 1/4"	14' 10 7/8"
eco-ATWB 10-5M12	19,930	17,380	28,760	30	73,340	5	685	411	420	12"	25,190	39 1/4"	9' 8 5/8"	5' 2 1/4"	14' 10 7/8"
eco-ATWB 10-6I12	22,290	19,740	31,770	10	50,820	5	685	490	420	12"	28,200	47 3/4"	10' 5 1/8"	5' 2 1/4"	15' 7 3/8"
eco-ATWB 10-6J12	22,420	19,870	31,900	15	58,170	5	685	490	420	12"	28,330	47 3/4"	10' 5 1/8"	5' 2 1/4"	15' 7 3/8"
eco-ATWB 10-6K12	22,480	19,930	31,960	20	63,440	5	685	490	420	12"	28,390	47 3/4"	10' 5 1/8"	5' 2 1/4"	15' 7 3/8"
eco-ATWB 10-6L12	22,510	19,960	31,990	25	67,530	5	685	490	420	12"	28,420	47 3/4"	10' 5 1/8"	5' 2 1/4"	15' 7 3/8"
eco-ATWB 10-6M12	22,560	20,010	32,040	30	71,070	5	685	490	420	12"	28,470	47 3/4"	10' 5 1/8"	5' 2 1/4"	15' 7 3/8"

† Model Numbers end in "-Z" for units with Series Flow piping configuration. Series Flow units may require additional coil connections and will require crossover piping. Model numbers will include "R" for units with Low Sound Fan(s) and "S" for units with an option that negates CTI certification.

†† Heaviest section is the coil/fan section.

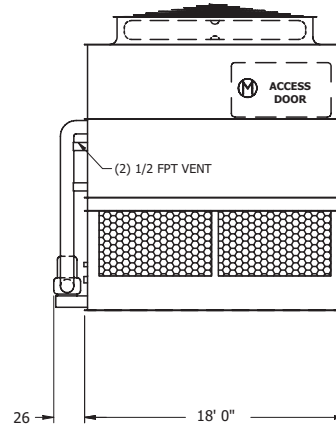
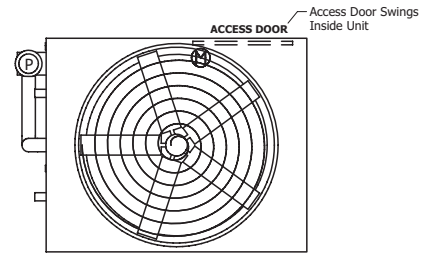
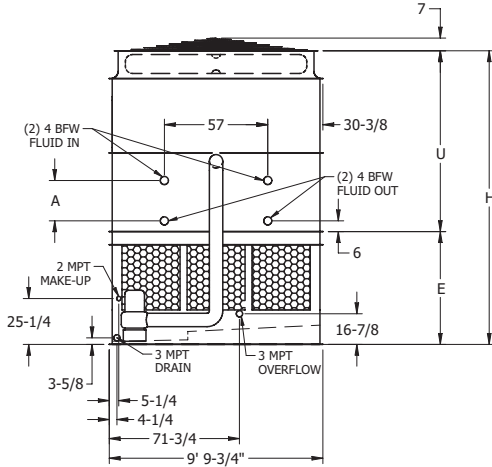
* Gallons shown is water in suspension in unit and piping. Allow for additional water in bottom of remote sump to cover pump suction and strainer during operation (12" would normally be sufficient).

△ When a remote sump arrangement is selected, the spray pump, suction strainer and associated piping are omitted; the unit is provided with an oversized outlet to facilitate drainage to the remote sump.

■ Unit dimensions and coil connections may vary slightly from catalog. See factory certified prints for dimensions, quantity of coil connections, and piping configuration. Coil connections are 4" bevel for weld (BFW). Other connection types such as grooved for mechanical coupling or flanged are also available as options.

eco-ATWB 10-3I18 to 10-6N18

Selections for eco-ATWB Closed Circuit Coolers are available from EVAPCO's **SPECTRUM™** Program. Please contact your local sales representative for more information on the **SPECTRUM™** program.



Note: The number of coil connections doubles when the flow rate exceeds 900 GPM on eco-ATW 10x18 models. This required option is referred to as the High Flow coil configuration.

eco-ATWB Model Number†	Weights (lbs)			Fans		Spray Pump		Coil Volume (Gallons)	Remote Sump [△]			Dimensions [■]			
	Shipping	Heaviest Section††	Operating	HP	CFM	HP	GPM		Gallons* Required	Conn. Size	Operating Weight (lbs)	Coil A	Upper U	Lower E	Height H
eco-ATWB 10-3I18	20,920	17,270	32,200	10	73,130	7-1/2	1030	374	630	12"	26,950	22 1/4"	8' 3-5/8"	5' 2-1/4"	13' 5-7/8"
eco-ATWB 10-3J18	21,050	17,400	32,330	15	83,710	7-1/2	1030	374	630	12"	27,080	22 1/4"	8' 3-5/8"	5' 2-1/4"	13' 5-7/8"
eco-ATWB 10-3K18	21,110	17,460	32,390	20	92,130	7-1/2	1030	374	630	12"	27,140	22 1/4"	8' 3-5/8"	5' 2-1/4"	13' 5-7/8"
eco-ATWB 10-3L18	21,140	17,490	32,420	25	99,250	7-1/2	1030	374	630	12"	27,170	22 1/4"	8' 3-5/8"	5' 2-1/4"	13' 5-7/8"
eco-ATWB 10-3M18	21,190	17,540	32,470	30	104,530	7-1/2	1030	374	630	12"	27,220	22 1/4"	8' 3-5/8"	5' 2-1/4"	13' 5-7/8"
eco-ATWB 10-3N18	21,350	17,700	32,630	40	113,300	7-1/2	1030	374	630	12"	27,380	22 1/4"	8' 3-5/8"	5' 2-1/4"	13' 5-7/8"
eco-ATWB 10-4I18	24,790	21,140	37,060	10	71,000	7-1/2	1030	494	630	12"	31,810	30 3/4"	9' 1/8"	5' 2-1/4"	14' 2-3/8"
eco-ATWB 10-4J18	24,920	21,270	37,190	15	81,270	7-1/2	1030	494	630	12"	31,940	30 3/4"	9' 1/8"	5' 2-1/4"	14' 2-3/8"
eco-ATWB 10-4K18	24,980	21,330	37,250	20	89,450	7-1/2	1030	494	630	12"	32,000	30 3/4"	9' 1/8"	5' 2-1/4"	14' 2-3/8"
eco-ATWB 10-4L18	25,010	21,360	37,280	25	96,360	7-1/2	1030	494	630	12"	32,030	30 3/4"	9' 1/8"	5' 2-1/4"	14' 2-3/8"
eco-ATWB 10-4M18	25,060	21,410	37,330	30	101,480	7-1/2	1030	494	630	12"	32,080	30 3/4"	9' 1/8"	5' 2-1/4"	14' 2-3/8"
eco-ATWB 10-4N18	25,220	21,570	37,490	40	110,000	7-1/2	1030	494	630	12"	32,240	30 3/4"	9' 1/8"	5' 2-1/4"	14' 2-3/8"
eco-ATWB 10-5I18	28,560	24,910	41,830	10	68,870	7-1/2	1030	613	630	12"	36,580	39 1/4"	9' 8-5/8"	5' 2-1/4"	14' 10-7/8"
eco-ATWB 10-5J18	28,690	25,040	41,960	15	78,830	7-1/2	1030	613	630	12"	36,710	39 1/4"	9' 8-5/8"	5' 2-1/4"	14' 10-7/8"
eco-ATWB 10-5K18	28,750	25,100	42,020	20	86,770	7-1/2	1030	613	630	12"	36,770	39 1/4"	9' 8-5/8"	5' 2-1/4"	14' 10-7/8"
eco-ATWB 10-5L18	28,780	25,130	42,050	25	93,470	7-1/2	1030	613	630	12"	36,800	39 1/4"	9' 8-5/8"	5' 2-1/4"	14' 10-7/8"
eco-ATWB 10-5M18	28,830	25,180	42,100	30	98,440	7-1/2	1030	613	630	12"	36,850	39 1/4"	9' 8-5/8"	5' 2-1/4"	14' 10-7/8"
eco-ATWB 10-5N18	28,990	25,340	42,260	40	106,700	7-1/2	1030	613	630	12"	37,010	39 1/4"	9' 8-5/8"	5' 2-1/4"	14' 10-7/8"
eco-ATWB 10-6I18	32,490	28,840	46,750	10	66,740	7-1/2	1030	732	630	12"	41,500	47 3/4"	10' 5-1/8"	5' 2-1/4"	15' 7-3/8"
eco-ATWB 10-6J18	32,620	28,970	46,880	15	76,400	7-1/2	1030	732	630	12"	41,630	47 3/4"	10' 5-1/8"	5' 2-1/4"	15' 7-3/8"
eco-ATWB 10-6K18	32,680	29,030	46,940	20	84,080	7-1/2	1030	732	630	12"	41,690	47 3/4"	10' 5-1/8"	5' 2-1/4"	15' 7-3/8"
eco-ATWB 10-6L18	32,710	29,060	46,970	25	90,580	7-1/2	1030	732	630	12"	41,720	47 3/4"	10' 5-1/8"	5' 2-1/4"	15' 7-3/8"
eco-ATWB 10-6M18	32,760	29,110	47,020	30	95,400	7-1/2	1030	732	630	12"	41,770	47 3/4"	10' 5-1/8"	5' 2-1/4"	15' 7-3/8"
eco-ATWB 10-6N18	32,920	29,270	47,180	40	103,400	7-1/2	1030	732	630	12"	41,930	47 3/4"	10' 5-1/8"	5' 2-1/4"	15' 7-3/8"

† Model Numbers end in "-Z" for units with Series Flow piping configuration. Series Flow units may require additional coil connections and will require crossover piping. Model numbers will include "R" for units with Low Sound Fan(s) and "S" for units with an option that negates CTI certification.

†† Heaviest section is the coil/fan section.

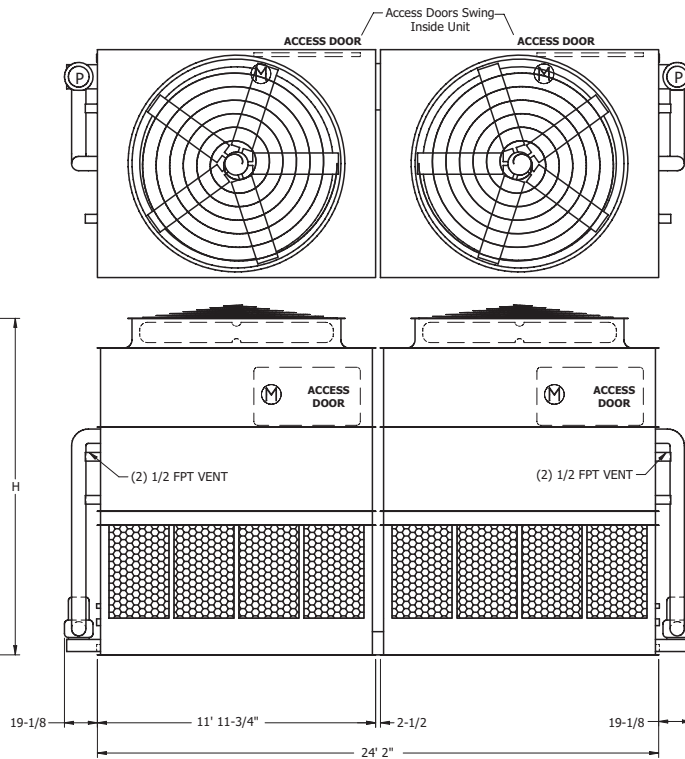
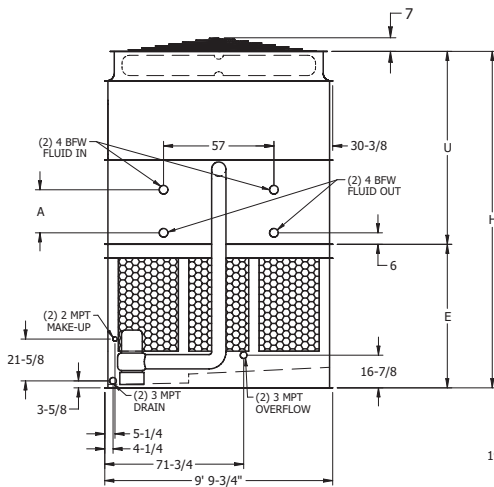
* Gallons shown is water in suspension in unit and piping. Allow for additional water in bottom of remote sump to cover pump suction and strainer during operation (12" would normally be sufficient).

△ When a remote sump arrangement is selected, the spray pump, suction strainer and associated piping are omitted; the unit is provided with an oversized outlet to facilitate drainage to the remote sump.

■ Unit dimensions and coil connections may vary slightly from catalog. See factory certified prints for dimensions, quantity of coil connections, and piping configuration. Coil connections are 4" bevel for weld (BFW). Other connection types such as grooved for mechanical coupling or flanged are also available as options.

eco-ATWB 10-3I24 to 10-6M24

Selections for eco-ATWB Closed Circuit Coolers are available from EVAPCO's **SPECTRUM™** Program. Please contact your local sales representative for more information on the **SPECTRUM™** program.



Note: The number of coil connections doubles when the flow rate exceeds 1,800 GPM on eco-ATW 10x24 models. This required option is referred to as the High Flow coil configuration.

eco-ATWB Model Number†	Weights (lbs)			Fans		Spray Pump		Coil Volume (Gallons)	Remote Sump △			Dimensions ■			
	Shipping	Heaviest Section††	Operating	HP	CFM	HP	GPM		Gallons* Required	Conn. Size	Operating Weight (lbs)	Coil A	Upper U	Lower E	Height H
eco-ATWB 10-3I24	29,440	12,040	44,460	(2) 10	111,360	(2) 5	1370	507	840	(2) 12"	37,320	22 1/4"	8' 3 5/8"	6' 2 1/4"	14' 5 7/8"
eco-ATWB 10-3J24	29,700	12,170	44,720	(2) 15	127,480	(2) 5	1370	507	840	(2) 12"	37,580	22 1/4"	8' 3 5/8"	6' 2 1/4"	14' 5 7/8"
eco-ATWB 10-3K24	29,820	12,230	44,840	(2) 20	139,030	(2) 5	1370	507	840	(2) 12"	37,700	22 1/4"	8' 3 5/8"	6' 2 1/4"	14' 5 7/8"
eco-ATWB 10-3L24	29,880	12,260	44,900	(2) 25	148,000	(2) 5	1370	507	840	(2) 12"	37,760	22 1/4"	8' 3 5/8"	6' 2 1/4"	14' 5 7/8"
eco-ATWB 10-3M24	29,980	12,310	45,000	(2) 30	155,750	(2) 5	1370	507	840	(2) 12"	37,860	22 1/4"	8' 3 5/8"	6' 2 1/4"	14' 5 7/8"
eco-ATWB 10-4I24	34,620	14,630	50,960	(2) 10	108,120	(2) 5	1370	664	840	(2) 12"	43,820	30 3/4"	9' 1/8"	6' 2 1/4"	15' 2 3/8"
eco-ATWB 10-4J24	34,880	14,760	51,220	(2) 15	123,760	(2) 5	1370	664	840	(2) 12"	44,080	30 3/4"	9' 1/8"	6' 2 1/4"	15' 2 3/8"
eco-ATWB 10-4K24	35,000	14,820	51,340	(2) 20	134,980	(2) 5	1370	664	840	(2) 12"	44,200	30 3/4"	9' 1/8"	6' 2 1/4"	15' 2 3/8"
eco-ATWB 10-4L24	35,060	14,850	51,400	(2) 25	143,690	(2) 5	1370	664	840	(2) 12"	44,260	30 3/4"	9' 1/8"	6' 2 1/4"	15' 2 3/8"
eco-ATWB 10-4M24	35,160	14,900	51,500	(2) 30	151,210	(2) 5	1370	664	840	(2) 12"	44,360	30 3/4"	9' 1/8"	6' 2 1/4"	15' 2 3/8"
eco-ATWB 10-5I24	39,580	17,110	57,240	(2) 10	104,870	(2) 5	1370	822	840	(2) 12"	50,100	39 1/4"	9' 8 5/8"	6' 2 1/4"	15' 10 7/8"
eco-ATWB 10-5J24	39,840	17,240	57,500	(2) 15	120,050	(2) 5	1370	822	840	(2) 12"	50,360	39 1/4"	9' 8 5/8"	6' 2 1/4"	15' 10 7/8"
eco-ATWB 10-5K24	39,960	17,300	57,620	(2) 20	130,930	(2) 5	1370	822	840	(2) 12"	50,480	39 1/4"	9' 8 5/8"	6' 2 1/4"	15' 10 7/8"
eco-ATWB 10-5L24	40,020	17,330	57,680	(2) 25	139,380	(2) 5	1370	822	840	(2) 12"	50,540	39 1/4"	9' 8 5/8"	6' 2 1/4"	15' 10 7/8"
eco-ATWB 10-5M24	40,120	17,380	57,780	(2) 30	146,680	(2) 5	1370	822	840	(2) 12"	50,640	39 1/4"	9' 8 5/8"	6' 2 1/4"	15' 10 7/8"
eco-ATWB 10-6I24	44,840	19,740	63,800	(2) 10	101,630	(2) 5	1370	980	840	(2) 12"	56,660	47 3/4"	10' 5 1/8"	6' 2 1/4"	16' 7 3/8"
eco-ATWB 10-6J24	45,100	19,870	64,060	(2) 15	116,340	(2) 5	1370	980	840	(2) 12"	56,920	47 3/4"	10' 5 1/8"	6' 2 1/4"	16' 7 3/8"
eco-ATWB 10-6K24	45,220	19,930	64,180	(2) 20	126,880	(2) 5	1370	980	840	(2) 12"	57,040	47 3/4"	10' 5 1/8"	6' 2 1/4"	16' 7 3/8"
eco-ATWB 10-6L24	45,280	19,960	64,240	(2) 25	135,060	(2) 5	1370	980	840	(2) 12"	57,100	47 3/4"	10' 5 1/8"	6' 2 1/4"	16' 7 3/8"
eco-ATWB 10-6M24	45,380	20,010	64,340	(2) 30	142,140	(2) 5	1370	980	840	(2) 12"	57,200	47 3/4"	10' 5 1/8"	6' 2 1/4"	16' 7 3/8"

† Model Numbers end in "-Z" for units with Series Flow piping configuration. Series Flow units may require additional coil connections and will require crossover piping. Model numbers will include "R" for units with Low Sound Fan(s) and "S" for units with an option that negates CTI certification.

†† Heaviest section is the coil/fan section.

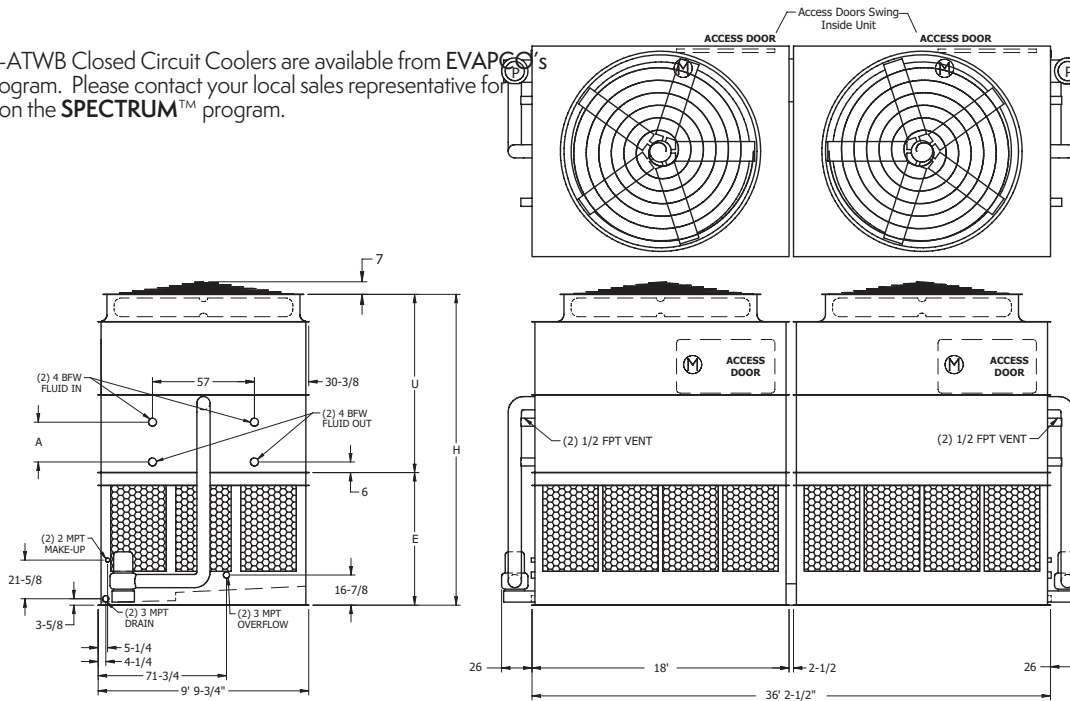
* Gallons shown is water in suspension in unit and piping. Allow for additional water in bottom of remote sump to cover pump suction and strainer during operation (12" would normally be sufficient).

△ When a remote sump arrangement is selected, the spray pump, suction strainer and associated piping are omitted; the unit is provided with an oversized outlet to facilitate drainage to the remote sump.

■ Unit dimensions and coil connections may vary slightly from catalog. See factory certified prints for dimensions, quantity of coil connections, and piping configuration. Coil connections are 4" bevel for weld (BFW). Other connection types such as grooved for mechanical coupling or flanged are also available as options.

eco-ATWB 10-3I36 to 10-6N36

Selections for eco-ATWB Closed Circuit Coolers are available from EVAPCO's **SPECTRUM™** Program. Please contact your local sales representative for more information on the **SPECTRUM™** program.



Note: The number of coil connections doubles when the flow rate exceeds 1,800 GPM on eco-ATW 10x36 models. This required option is referred to as the High Flow coil configuration.

eco-ATWB Model Number†	Weights (lbs)			Fans		Spray Pump		Coil Volume (Gallons)	Remote Sump [△]			Dimensions [■]			
	Shipping	Heaviest Section††	Operating	HP	CFM	HP	GPM		Gallons* Required	Conn. Size	Operating Weight (lbs)	Coil A	Upper U	Lower E	Height H
eco-ATWB 10-3I36	41,840	17,270	64,400	(2)10	146,260	(2)7.5	2060	748	1260	(2)12"	53,900	221/4"	8' 3-5/8"	6' 2-1/4"	14' 5-7/8"
eco-ATWB 10-3J36	42,100	17,400	64,660	(2)15	167,420	(2)7.5	2060	748	1260	(2)12"	54,160	221/4"	8' 3-5/8"	6' 2-1/4"	14' 5-7/8"
eco-ATWB 10-3K36	42,220	17,460	64,780	(2)20	184,270	(2)7.5	2060	748	1260	(2)12"	54,280	221/4"	8' 3-5/8"	6' 2-1/4"	14' 5-7/8"
eco-ATWB 10-3L36	42,280	17,490	64,840	(2)25	198,490	(2)7.5	2060	748	1260	(2)12"	54,340	221/4"	8' 3-5/8"	6' 2-1/4"	14' 5-7/8"
eco-ATWB 10-3M36	42,380	17,540	64,940	(2)30	209,060	(2)7.5	2060	748	1260	(2)12"	54,440	221/4"	8' 3-5/8"	6' 2-1/4"	14' 5-7/8"
eco-ATWB 10-3N36	42,700	17,700	65,260	(2)40	226,590	(2)7.5	2060	748	1260	(2)12"	54,760	221/4"	8' 3-5/8"	6' 2-1/4"	14' 5-7/8"
eco-ATWB 10-4I36	49,580	21,140	74,120	(2)10	142,000	(2)7.5	2060	987	1260	(2)12"	63,620	30 3/4"	9' 1/8"	6' 2-1/4"	15' 2-3/8"
eco-ATWB 10-4J36	49,840	21,270	74,380	(2)15	162,540	(2)7.5	2060	987	1260	(2)12"	63,880	30 3/4"	9' 1/8"	6' 2-1/4"	15' 2-3/8"
eco-ATWB 10-4K36	49,960	21,330	74,500	(2)20	178,900	(2)7.5	2060	987	1260	(2)12"	64,000	30 3/4"	9' 1/8"	6' 2-1/4"	15' 2-3/8"
eco-ATWB 10-4L36	50,020	21,360	74,560	(2)25	192,710	(2)7.5	2060	987	1260	(2)12"	64,060	30 3/4"	9' 1/8"	6' 2-1/4"	15' 2-3/8"
eco-ATWB 10-4M36	50,120	21,410	74,660	(2)30	202,970	(2)7.5	2060	987	1260	(2)12"	64,160	30 3/4"	9' 1/8"	6' 2-1/4"	15' 2-3/8"
eco-ATWB 10-4N36	50,440	21,570	74,980	(2)40	219,990	(2)7.5	2060	987	1260	(2)12"	64,480	30 3/4"	9' 1/8"	6' 2-1/4"	15' 2-3/8"
eco-ATWB 10-5I36	57,120	24,910	83,660	(2)10	137,740	(2)7.5	2060	1226	1260	(2)12"	73,160	39 1/4"	9' 8-5/8"	6' 2-1/4"	15' 10-7/8"
eco-ATWB 10-5J36	57,380	25,040	83,920	(2)15	157,670	(2)7.5	2060	1226	1260	(2)12"	73,420	39 1/4"	9' 8-5/8"	6' 2-1/4"	15' 10-7/8"
eco-ATWB 10-5K36	57,500	25,100	84,040	(2)20	173,530	(2)7.5	2060	1226	1260	(2)12"	73,540	39 1/4"	9' 8-5/8"	6' 2-1/4"	15' 10-7/8"
eco-ATWB 10-5L36	57,560	25,130	84,100	(2)25	186,930	(2)7.5	2060	1226	1260	(2)12"	73,600	39 1/4"	9' 8-5/8"	6' 2-1/4"	15' 10-7/8"
eco-ATWB 10-5M36	57,660	25,180	84,200	(2)30	196,880	(2)7.5	2060	1226	1260	(2)12"	73,700	39 1/4"	9' 8-5/8"	6' 2-1/4"	15' 10-7/8"
eco-ATWB 10-5N36	57,980	25,340	84,520	(2)40	213,390	(2)7.5	2060	1226	1260	(2)12"	74,020	39 1/4"	9' 8-5/8"	6' 2-1/4"	15' 10-7/8"
eco-ATWB 10-6I36	64,980	28,840	93,500	(2)10	133,480	(2)7.5	2060	1464	1260	(2)12"	83,000	47 3/4"	10' 5-1/8"	6' 2-1/4"	16' 7-3/8"
eco-ATWB 10-6J36	65,240	28,970	93,760	(2)15	152,790	(2)7.5	2060	1464	1260	(2)12"	83,260	47 3/4"	10' 5-1/8"	6' 2-1/4"	16' 7-3/8"
eco-ATWB 10-6K36	65,360	29,030	93,880	(2)20	168,170	(2)7.5	2060	1464	1260	(2)12"	83,380	47 3/4"	10' 5-1/8"	6' 2-1/4"	16' 7-3/8"
eco-ATWB 10-6L36	65,420	29,060	93,940	(2)25	181,150	(2)7.5	2060	1464	1260	(2)12"	83,440	47 3/4"	10' 5-1/8"	6' 2-1/4"	16' 7-3/8"
eco-ATWB 10-6M36	65,520	29,110	94,040	(2)30	190,790	(2)7.5	2060	1464	1260	(2)12"	83,540	47 3/4"	10' 5-1/8"	6' 2-1/4"	16' 7-3/8"
eco-ATWB 10-6N36	65,840	29,270	94,360	(2)40	206,790	(2)7.5	2060	1464	1260	(2)12"	83,860	47 3/4"	10' 5-1/8"	6' 2-1/4"	16' 7-3/8"

† Model Numbers end in "-Z" for units with Series Flow piping configuration. Series Flow units may require additional coil connections and will require crossover piping. Model numbers will include "R" for units with Low Sound Fan(s) and "S" for units with an option that negates CTI certification.

†† Heaviest section is the coil/fan section.

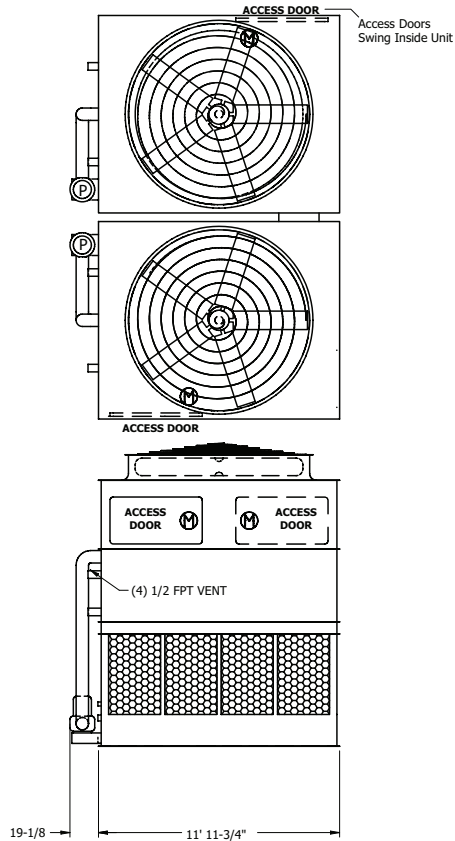
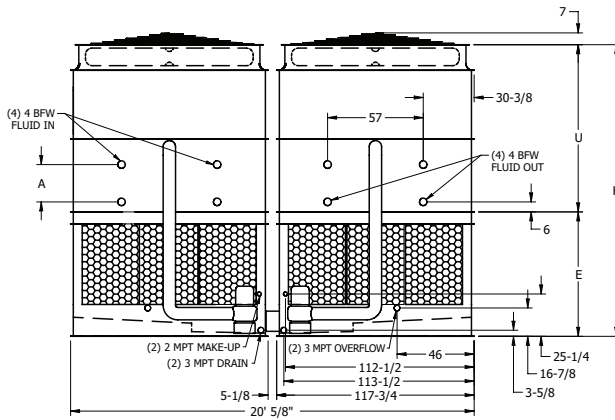
* Gallons shown is water in suspension in unit and piping. Allow for additional water in bottom of remote sump to cover pump suction and strainer during operation (12" would normally be sufficient).

△ When a remote sump arrangement is selected, the spray pump, suction strainer and associated piping are omitted; the unit is provided with an oversized outlet to facilitate drainage to the remote sump.

■ Unit dimensions and coil connections may vary slightly from catalog. See factory certified prints for dimensions, quantity of coil connections, and piping configuration. Coil connections are 4" bevel for weld (BFW). Other connection types such as grooved for mechanical coupling or flanged are also available as options.

eco-ATWB 20-3I12 to 20-6M12

Selections for eco-ATWB Closed Circuit Coolers are available from EVAPCO's **SPECTRUM™** Program. Please contact your local sales representative for more information on the **SPECTRUM™** program.



Note: The number of coil connections doubles when the flow rate exceeds 1,800 GPM on eco-ATW 20x12 models. This required option is referred to as the High Flow coil configuration.

eco-ATWB Model Number†	Weights (lbs)			Fans		Spray Pump		Coil Volume (Gallons)	Remote Sump △			Dimensions ■			
	Shipping	Heaviest Section††	Operating	HP	CFM	HP	GPM		Gallons* Required	Conn. Size	Operating Weight (lbs)	Coil A	Upper U	Lower E	Height H
eco-ATWB 20-3I12	29,200	12,040	44,220	(2) 10	111,360	5	1370	507	840	(2) 12"	37,080	22-1/4"	8' 3-5/8"	6' 2-1/4"	14' 5-7/8"
eco-ATWB 20-3J12	29,460	12,170	44,480	(2) 15	127,480	5	1370	507	840	(2) 12"	37,340	22-1/4"	8' 3-5/8"	6' 2-1/4"	14' 5-7/8"
eco-ATWB 20-3K12	29,580	12,230	44,600	(2) 20	139,030	5	1370	507	840	(2) 12"	37,460	22-1/4"	8' 3-5/8"	6' 2-1/4"	14' 5-7/8"
eco-ATWB 20-3L12	29,640	12,260	44,660	(2) 25	148,000	5	1370	507	840	(2) 12"	37,520	22-1/4"	8' 3-5/8"	6' 2-1/4"	14' 5-7/8"
eco-ATWB 20-3M12	29,740	12,310	44,760	(2) 30	155,750	5	1370	507	840	(2) 12"	37,620	22-1/4"	8' 3-5/8"	6' 2-1/4"	14' 5-7/8"
eco-ATWB 20-4I12	34,380	14,630	50,720	(2) 10	108,120	5	1370	664	840	(2) 12"	43,580	30-3/4"	9' 1/8"	6' 2-1/4"	15' 2-3/8"
eco-ATWB 20-4J12	34,640	14,760	50,980	(2) 15	123,760	5	1370	664	840	(2) 12"	43,840	30-3/4"	9' 1/8"	6' 2-1/4"	15' 2-3/8"
eco-ATWB 20-4K12	34,760	14,820	51,100	(2) 20	134,980	5	1370	664	840	(2) 12"	43,960	30-3/4"	9' 1/8"	6' 2-1/4"	15' 2-3/8"
eco-ATWB 20-4L12	34,820	14,850	51,160	(2) 25	143,690	5	1370	664	840	(2) 12"	44,020	30-3/4"	9' 1/8"	6' 2-1/4"	15' 2-3/8"
eco-ATWB 20-4M12	34,920	14,900	51,260	(2) 30	151,210	5	1370	664	840	(2) 12"	44,120	30-3/4"	9' 1/8"	6' 2-1/4"	15' 2-3/8"
eco-ATWB 20-5I12	39,340	17,110	57,000	(2) 10	104,870	5	1370	822	840	(2) 12"	49,860	39-1/4"	9' 8-5/8"	6' 2-1/4"	15' 10-7/8"
eco-ATWB 20-5J12	39,600	17,240	57,260	(2) 15	120,050	5	1370	822	840	(2) 12"	50,120	39-1/4"	9' 8-5/8"	6' 2-1/4"	15' 10-7/8"
eco-ATWB 20-5K12	39,720	17,300	57,380	(2) 20	130,930	5	1370	822	840	(2) 12"	50,240	39-1/4"	9' 8-5/8"	6' 2-1/4"	15' 10-7/8"
eco-ATWB 20-5L12	39,780	17,330	57,440	(2) 25	139,380	5	1370	822	840	(2) 12"	50,300	39-1/4"	9' 8-5/8"	6' 2-1/4"	15' 10-7/8"
eco-ATWB 20-5M12	39,880	17,380	57,540	(2) 30	146,680	5	1370	822	840	(2) 12"	50,400	39-1/4"	9' 8-5/8"	6' 2-1/4"	15' 10-7/8"
eco-ATWB 20-6I12	44,600	19,740	63,560	(2) 10	101,630	5	1370	980	840	(2) 12"	56,420	47-3/4"	10' 5-1/8"	6' 2-1/4"	16' 7-3/8"
eco-ATWB 20-6J12	44,860	19,870	63,820	(2) 15	116,340	5	1370	980	840	(2) 12"	56,680	47-3/4"	10' 5-1/8"	6' 2-1/4"	16' 7-3/8"
eco-ATWB 20-6K12	44,980	19,930	63,940	(2) 20	126,880	5	1370	980	840	(2) 12"	56,800	47-3/4"	10' 5-1/8"	6' 2-1/4"	16' 7-3/8"
eco-ATWB 20-6L12	45,040	19,960	64,000	(2) 25	135,060	5	1370	980	840	(2) 12"	56,860	47-3/4"	10' 5-1/8"	6' 2-1/4"	16' 7-3/8"
eco-ATWB 20-6M12	45,140	20,010	64,100	(2) 30	142,140	5	1370	980	840	(2) 12"	56,960	47-3/4"	10' 5-1/8"	6' 2-1/4"	16' 7-3/8"

† Model Numbers end in "Z" for units with Series Flow piping configuration. Series Flow units may require additional coil connections and will require crossover piping. Model numbers will include "R" for units with Low Sound Fan(s) and "S" for units with an option that negates CTI certification.

†† Heaviest section is the coil/fan section.

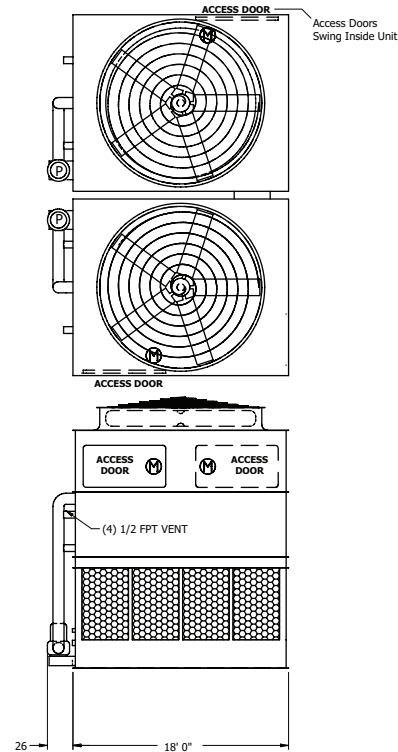
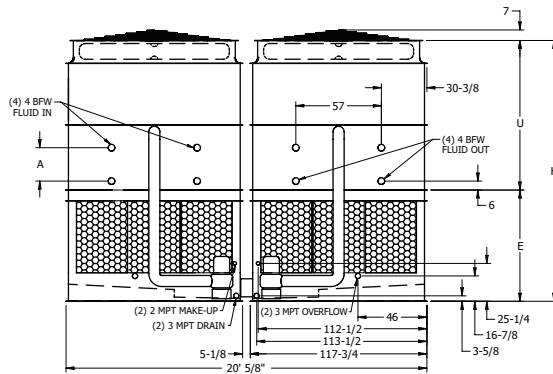
* Gallons shown is water in suspension in unit and piping. Allow for additional water in bottom of remote sump to cover pump suction and strainer during operation (12" would normally be sufficient).

△ When a remote sump arrangement is selected, the spray pump, suction strainer and associated piping are omitted; the unit is provided with an oversized outlet to facilitate drainage to the remote sump.

■ Unit dimensions and coil connections may vary slightly from catalog. See factory certified prints for dimensions, quantity of coil connections, and piping configuration. Coil connections are 4" bevel for weld (BFW). Other connection types such as grooved for mechanical coupling or flanged are also available as options.

eco-ATWB 20-3I18 to 20-6N18

Selections for eco-ATWB Closed Circuit Coolers are available from EVAPCO's **SPECTRUM™** Program. Please contact your local sales representative for more information on the **SPECTRUM™** program.



Note: The number of coil connections doubles when the flow rate exceeds 1,800 GPM on eco-ATW 20x18 models. This required option is referred to as the High Flow coil configuration.

eco-ATWB Model Number†	Weights (lbs)			Fans		Spray Pump		Coil Volume (Gallons)	Remote Sump Δ			Dimensions ■			
	Shipping	Heaviest Section††	Operating	HP	CFM	HP	GPM		Gallons* Required	Conn. Size	Operating Weight (lbs)	Coil A	Upper U	Lower E	Height H
eco-ATWB 20-3I18	41,880	17,270	64,440	(2) 10	146,260	(2) 7.5	2060	748	1260	(2) 12"	53,940	22-1/4"	8' 3-5/8"	7' 2-1/4"	15' 5-7/8"
eco-ATWB 20-3J18	42,140	17,400	64,700	(2) 15	167,420	(2) 7.5	2060	748	1260	(2) 12"	54,200	22-1/4"	8' 3-5/8"	7' 2-1/4"	15' 5-7/8"
eco-ATWB 20-3K18	42,260	17,460	64,820	(2) 20	184,270	(2) 7.5	2060	748	1260	(2) 12"	54,320	22-1/4"	8' 3-5/8"	7' 2-1/4"	15' 5-7/8"
eco-ATWB 20-3L18	42,320	17,490	64,880	(2) 25	198,490	(2) 7.5	2060	748	1260	(2) 12"	54,380	22-1/4"	8' 3-5/8"	7' 2-1/4"	15' 5-7/8"
eco-ATWB 20-3M18	42,420	17,540	64,980	(2) 30	209,060	(2) 7.5	2060	748	1260	(2) 12"	54,480	22-1/4"	8' 3-5/8"	7' 2-1/4"	15' 5-7/8"
eco-ATWB 20-3N18	42,740	17,700	65,300	(2) 40	226,590	(2) 7.5	2060	748	1260	(2) 12"	54,800	22-1/4"	8' 3-5/8"	7' 2-1/4"	15' 5-7/8"
eco-ATWB 20-4I18	49,620	21,140	74,160	(2) 10	142,000	(2) 7.5	2060	987	1260	(2) 12"	63,660	30-3/4"	9' 1/8"	7' 2-1/4"	16' 2-3/8"
eco-ATWB 20-4J18	49,880	21,270	74,420	(2) 15	162,540	(2) 7.5	2060	987	1260	(2) 12"	63,920	30-3/4"	9' 1/8"	7' 2-1/4"	16' 2-3/8"
eco-ATWB 20-4K18	50,000	21,330	74,540	(2) 20	178,900	(2) 7.5	2060	987	1260	(2) 12"	64,040	30-3/4"	9' 1/8"	7' 2-1/4"	16' 2-3/8"
eco-ATWB 20-4L18	50,060	21,360	74,600	(2) 25	192,710	(2) 7.5	2060	987	1260	(2) 12"	64,100	30-3/4"	9' 1/8"	7' 2-1/4"	16' 2-3/8"
eco-ATWB 20-4M18	50,160	21,410	74,700	(2) 30	202,970	(2) 7.5	2060	987	1260	(2) 12"	64,200	30-3/4"	9' 1/8"	7' 2-1/4"	16' 2-3/8"
eco-ATWB 20-4N18	50,480	21,570	75,020	(2) 40	219,990	(2) 7.5	2060	987	1260	(2) 12"	64,520	30-3/4"	9' 1/8"	7' 2-1/4"	16' 2-3/8"
eco-ATWB 20-5I18	57,160	24,910	83,700	(2) 10	137,740	(2) 7.5	2060	1226	1260	(2) 12"	73,200	39-1/4"	9' 8-5/8"	7' 2-1/4"	16' 10-7/8"
eco-ATWB 20-5J18	57,420	25,040	83,960	(2) 15	157,670	(2) 7.5	2060	1226	1260	(2) 12"	73,460	39-1/4"	9' 8-5/8"	7' 2-1/4"	16' 10-7/8"
eco-ATWB 20-5K18	57,540	25,100	84,080	(2) 20	173,530	(2) 7.5	2060	1226	1260	(2) 12"	73,580	39-1/4"	9' 8-5/8"	7' 2-1/4"	16' 10-7/8"
eco-ATWB 20-5L18	57,600	25,130	84,140	(2) 25	186,930	(2) 7.5	2060	1226	1260	(2) 12"	73,640	39-1/4"	9' 8-5/8"	7' 2-1/4"	16' 10-7/8"
eco-ATWB 20-5M18	57,700	25,180	84,240	(2) 30	196,880	(2) 7.5	2060	1226	1260	(2) 12"	73,740	39-1/4"	9' 8-5/8"	7' 2-1/4"	16' 10-7/8"
eco-ATWB 20-5N18	58,020	25,340	84,560	(2) 40	213,390	(2) 7.5	2060	1226	1260	(2) 12"	74,060	39-1/4"	9' 8-5/8"	7' 2-1/4"	16' 10-7/8"
eco-ATWB 20-6I18	65,020	28,840	93,540	(2) 10	133,480	(2) 7.5	2060	1464	1260	(2) 12"	83,040	47-3/4"	10' 5-1/8"	7' 2-1/4"	17' 7-3/8"
eco-ATWB 20-6J18	65,280	28,970	93,800	(2) 15	152,790	(2) 7.5	2060	1464	1260	(2) 12"	83,300	47-3/4"	10' 5-1/8"	7' 2-1/4"	17' 7-3/8"
eco-ATWB 20-6K18	65,400	29,030	93,920	(2) 20	168,170	(2) 7.5	2060	1464	1260	(2) 12"	83,420	47-3/4"	10' 5-1/8"	7' 2-1/4"	17' 7-3/8"
eco-ATWB 20-6L18	65,460	29,060	93,980	(2) 25	181,150	(2) 7.5	2060	1464	1260	(2) 12"	83,480	47-3/4"	10' 5-1/8"	7' 2-1/4"	17' 7-3/8"
eco-ATWB 20-6M18	65,560	29,110	94,080	(2) 30	190,790	(2) 7.5	2060	1464	1260	(2) 12"	83,580	47-3/4"	10' 5-1/8"	7' 2-1/4"	17' 7-3/8"
eco-ATWB 20-6N18	65,880	29,270	94,400	(2) 40	206,790	(2) 7.5	2060	1464	1260	(2) 12"	83,900	47-3/4"	10' 5-1/8"	7' 2-1/4"	17' 7-3/8"

† Model Numbers end in "-Z" for units with Series Flow piping configuration. Series Flow units may require additional coil connections and will require crossover piping. Model numbers will include "R" for units with Low Sound Fan(s) and "S" for units with an option that negates CTI certification.

†† Heaviest section is the coil/fan section.

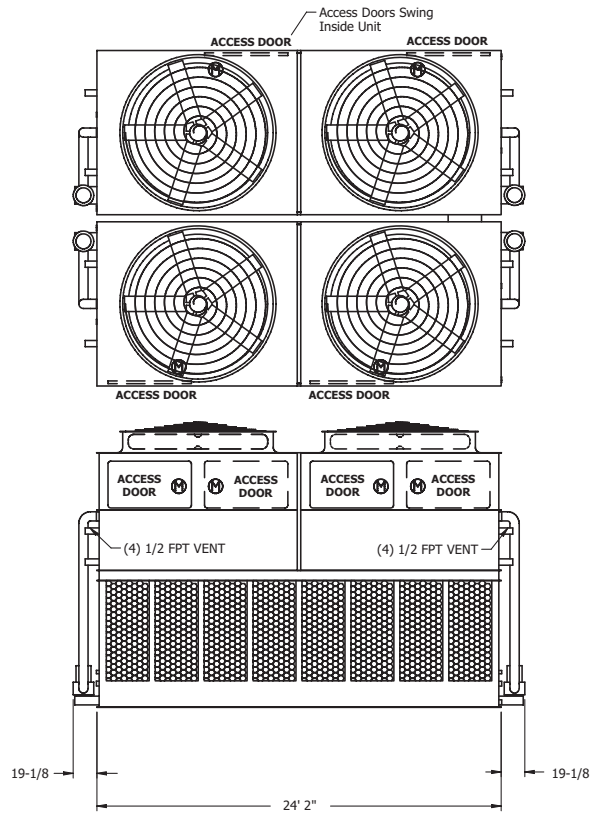
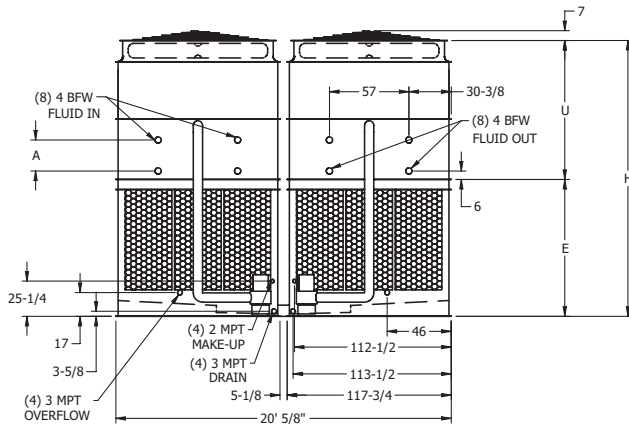
* Gallons shown is water in suspension in unit and piping. Allow for additional water in bottom of remote sump to cover pump suction and strainer during operation (12" would normally be sufficient).

Δ When a remote sump arrangement is selected, the spray pump, suction strainer and associated piping are omitted; the unit is provided with an oversized outlet to facilitate drainage to the remote sump.

■ Unit dimensions and coil connections may vary slightly from catalog. See factory certified prints for dimensions, quantity of coil connections, and piping configuration. Coil connections are 4" bevel for weld (BFW). Other connection types such as grooved for mechanical coupling or flanged are also available as options.

eco-ATWB 20-3I24 to 20-6M24

Selections for eco-ATWB Closed Circuit Coolers are available from EVAPCO's **SPECTRUM™** Program. Please contact your local sales representative for more information on the **SPECTRUM™** program.



Note: The number of coil connections doubles when the flow rate exceeds 3,600 GPM on eco-ATWB 20x24 models. This required option is referred to as the High Flow coil configuration.

eco-ATWB Model Number†	Weights (lbs)			Fans		Spray Pump		Coil Volume (Gallons)	Remote Sump [△]			Dimensions [■]			
	Shipping	Heaviest Section††	Operating	HP	CFM	HP	GPM		Gallons* Required	Conn. Size	Operating Weight (lbs)	Coil A	Upper U	Lower E	Height H
eco-ATWB 20-3I24	58,980	12,040	89,000	(4) 10	222,720	(4) 5	2740	1013	1680	(4) 12"	74,720	22-1/4"	8' 3-5/8"	8' 2-1/4"	16' 5-7/8"
eco-ATWB 20-3J24	59,500	12,170	89,520	(4) 15	254,950	(4) 5	2740	1013	1680	(4) 12"	75,240	22-1/4"	8' 3-5/8"	8' 2-1/4"	16' 5-7/8"
eco-ATWB 20-3K24	59,740	12,230	89,760	(4) 20	278,070	(4) 5	2740	1013	1680	(4) 12"	75,480	22-1/4"	8' 3-5/8"	8' 2-1/4"	16' 5-7/8"
eco-ATWB 20-3L24	59,860	12,260	89,880	(4) 25	295,990	(4) 5	2740	1013	1680	(4) 12"	75,600	22-1/4"	8' 3-5/8"	8' 2-1/4"	16' 5-7/8"
eco-ATWB 20-3M24	60,060	12,310	90,080	(4) 30	311,500	(4) 5	2740	1013	1680	(4) 12"	75,800	22-1/4"	8' 3-5/8"	8' 2-1/4"	16' 5-7/8"
eco-ATWB 20-4I24	69,340	14,630	102,000	(4) 10	216,240	(4) 5	2740	1329	1680	(4) 12"	87,720	30-3/4"	9' 1/8"	8' 2-1/4"	17' 2-3/8"
eco-ATWB 20-4J24	69,860	14,760	102,520	(4) 15	247,530	(4) 5	2740	1329	1680	(4) 12"	88,240	30-3/4"	9' 1/8"	8' 2-1/4"	17' 2-3/8"
eco-ATWB 20-4K24	70,100	14,820	102,760	(4) 20	269,970	(4) 5	2740	1329	1680	(4) 12"	88,480	30-3/4"	9' 1/8"	8' 2-1/4"	17' 2-3/8"
eco-ATWB 20-4L24	70,220	14,850	102,880	(4) 25	287,370	(4) 5	2740	1329	1680	(4) 12"	88,600	30-3/4"	9' 1/8"	8' 2-1/4"	17' 2-3/8"
eco-ATWB 20-4M24	70,420	14,900	103,080	(4) 30	302,420	(4) 5	2740	1329	1680	(4) 12"	88,800	30-3/4"	9' 1/8"	8' 2-1/4"	17' 2-3/8"
eco-ATWB 20-5I24	79,260	17,110	114,560	(4) 10	209,750	(4) 5	2740	1645	1680	(4) 12"	100,280	39-1/4"	9' 8-5/8"	8' 2-1/4"	17' 10-7/8"
eco-ATWB 20-5J24	79,780	17,240	115,080	(4) 15	240,100	(4) 5	2740	1645	1680	(4) 12"	100,800	39-1/4"	9' 8-5/8"	8' 2-1/4"	17' 10-7/8"
eco-ATWB 20-5K24	80,020	17,300	115,320	(4) 20	261,870	(4) 5	2740	1645	1680	(4) 12"	101,040	39-1/4"	9' 8-5/8"	8' 2-1/4"	17' 10-7/8"
eco-ATWB 20-5L24	80,140	17,330	115,440	(4) 25	278,750	(4) 5	2740	1645	1680	(4) 12"	101,160	39-1/4"	9' 8-5/8"	8' 2-1/4"	17' 10-7/8"
eco-ATWB 20-5M24	80,340	17,380	115,640	(4) 30	293,350	(4) 5	2740	1645	1680	(4) 12"	101,360	39-1/4"	9' 8-5/8"	8' 2-1/4"	17' 10-7/8"
eco-ATWB 20-6I24	89,780	19,740	127,680	(4) 10	203,260	(4) 5	2740	1961	1680	(4) 12"	113,400	47-3/4"	10' 5-1/8"	8' 2-1/4"	18' 7-3/8"
eco-ATWB 20-6J24	90,300	19,870	128,200	(4) 15	232,670	(4) 5	2740	1961	1680	(4) 12"	113,920	47-3/4"	10' 5-1/8"	8' 2-1/4"	18' 7-3/8"
eco-ATWB 20-6K24	90,540	19,930	128,440	(4) 20	253,770	(4) 5	2740	1961	1680	(4) 12"	114,160	47-3/4"	10' 5-1/8"	8' 2-1/4"	18' 7-3/8"
eco-ATWB 20-6L24	90,660	19,960	128,560	(4) 25	270,130	(4) 5	2740	1961	1680	(4) 12"	114,280	47-3/4"	10' 5-1/8"	8' 2-1/4"	18' 7-3/8"
eco-ATWB 20-6M24	90,860	20,010	128,760	(4) 30	284,280	(4) 5	2740	1961	1680	(4) 12"	114,480	47-3/4"	10' 5-1/8"	8' 2-1/4"	18' 7-3/8"

† Model Numbers end in "-Z" for units with Series Flow piping configuration. Series Flow units may require additional coil connections and will require crossover piping. Model numbers will include "R" for units with Low Sound Fan(s) and "S" for units with an option that negates CTI certification.

†† Heaviest section is the coil/fan section.

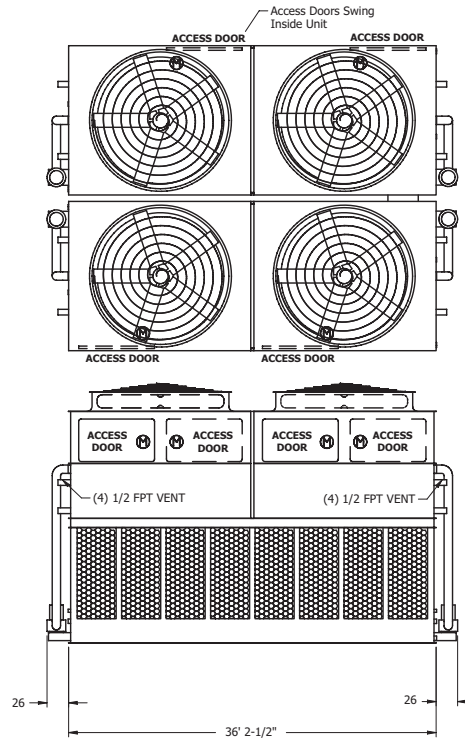
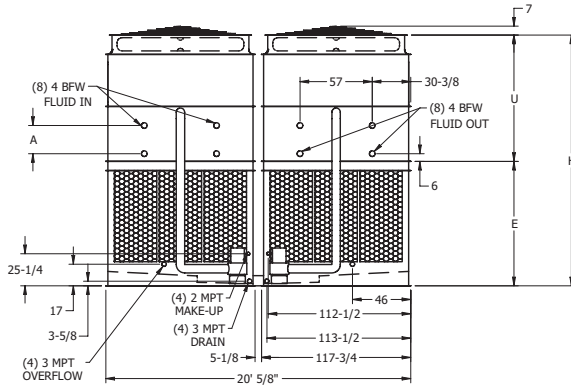
* Gallons shown is water in suspension in unit and piping. Allow for additional water in bottom of remote sump to cover pump suction and strainer during operation (12" would normally be sufficient).

△ When a remote sump arrangement is selected, the spray pump, suction strainer and associated piping are omitted; the unit is provided with an oversized outlet to facilitate drainage to the remote sump.

■ Unit dimensions and coil connections may vary slightly from catalog. See factory certified prints for dimensions, quantity of coil connections, and piping configuration. Coil connections are 4" bevel for weld (BFW). Other connection types such as grooved for mechanical coupling or flanged are also available as options.

eco-ATWB 20-3I36 to 20-6N36

Selections for eco-ATWB Closed Circuit Coolers are available from EVAPCO's **SPECTRUM™** Program. Please contact your local sales representative for more information on the **SPECTRUM™** program.



Note: The number of coil connections doubles when the flow rate exceeds 3,600 GPM on eco-ATW 20x36 models. This required option is referred to as the High Flow coil configuration.

eco-ATWB Model Number†	Weights (lbs)			Fans		Spray Pump		Coil Volume (Gallons)	Remote Sump [△]			Dimensions [■]			
	Shipping	Heaviest Section††	Operating	HP	CFM	HP	GPM		Gallons* Required	Conn. Size	Operating Weight (lbs)	Coil A	Upper U	Lower E	Height H
eco-ATWB 20-3I36	84,360	17,270	129,800	(4) 10	292,510	(4) 7.5	4120	1497	2520	(4) 12"	108,820	22-1/4"	8' 3-5/8"	8' 2-1/4"	16' 5-7/8"
eco-ATWB 20-3J36	84,880	17,400	130,320	(4) 15	334,840	(4) 7.5	4120	1497	2520	(4) 12"	109,340	22-1/4"	8' 3-5/8"	8' 2-1/4"	16' 5-7/8"
eco-ATWB 20-3K36	85,120	17,460	130,560	(4) 20	368,530	(4) 7.5	4120	1497	2520	(4) 12"	109,580	22-1/4"	8' 3-5/8"	8' 2-1/4"	16' 5-7/8"
eco-ATWB 20-3L36	85,240	17,490	130,680	(4) 25	396,990	(4) 7.5	4120	1497	2520	(4) 12"	109,700	22-1/4"	8' 3-5/8"	8' 2-1/4"	16' 5-7/8"
eco-ATWB 20-3M36	85,440	17,540	130,880	(4) 30	418,120	(4) 7.5	4120	1497	2520	(4) 12"	109,900	22-1/4"	8' 3-5/8"	8' 2-1/4"	16' 5-7/8"
eco-ATWB 20-3N36	86,080	17,700	131,520	(4) 40	453,190	(4) 7.5	4120	1497	2520	(4) 12"	110,540	22-1/4"	8' 3-5/8"	8' 2-1/4"	16' 5-7/8"
eco-ATWB 20-4I36	99,840	21,140	149,240	(4) 10	283,990	(4) 7.5	4120	1974	2520	(4) 12"	128,260	30-3/4"	9' 1/8"	8' 2-1/4"	17' 2-3/8"
eco-ATWB 20-4J36	100,360	21,270	149,760	(4) 15	325,090	(4) 7.5	4120	1974	2520	(4) 12"	128,780	30-3/4"	9' 1/8"	8' 2-1/4"	17' 2-3/8"
eco-ATWB 20-4K36	100,600	21,330	150,000	(4) 20	357,800	(4) 7.5	4120	1974	2520	(4) 12"	129,020	30-3/4"	9' 1/8"	8' 2-1/4"	17' 2-3/8"
eco-ATWB 20-4L36	100,720	21,360	150,120	(4) 25	385,430	(4) 7.5	4120	1974	2520	(4) 12"	129,140	30-3/4"	9' 1/8"	8' 2-1/4"	17' 2-3/8"
eco-ATWB 20-4M36	100,920	21,410	150,320	(4) 30	405,940	(4) 7.5	4120	1974	2520	(4) 12"	129,340	30-3/4"	9' 1/8"	8' 2-1/4"	17' 2-3/8"
eco-ATWB 20-4N36	101,560	21,570	150,960	(4) 40	439,990	(4) 7.5	4120	1974	2520	(4) 12"	129,980	30-3/4"	9' 1/8"	8' 2-1/4"	17' 2-3/8"
eco-ATWB 20-5I36	114,920	24,910	168,320	(4) 10	275,470	(4) 7.5	4120	2451	2520	(4) 12"	147,340	39-1/4"	9' 8-5/8"	8' 2-1/4"	17' 10-7/8"
eco-ATWB 20-5J36	115,440	25,040	168,840	(4) 15	315,330	(4) 7.5	4120	2451	2520	(4) 12"	147,860	39-1/4"	9' 8-5/8"	8' 2-1/4"	17' 10-7/8"
eco-ATWB 20-5K36	115,680	25,100	169,080	(4) 20	347,070	(4) 7.5	4120	2451	2520	(4) 12"	148,100	39-1/4"	9' 8-5/8"	8' 2-1/4"	17' 10-7/8"
eco-ATWB 20-5L36	115,800	25,130	169,200	(4) 25	373,860	(4) 7.5	4120	2451	2520	(4) 12"	148,220	39-1/4"	9' 8-5/8"	8' 2-1/4"	17' 10-7/8"
eco-ATWB 20-5M36	116,000	25,180	169,400	(4) 30	393,760	(4) 7.5	4120	2451	2520	(4) 12"	148,420	39-1/4"	9' 8-5/8"	8' 2-1/4"	17' 10-7/8"
eco-ATWB 20-5N36	116,640	25,340	170,040	(4) 40	426,790	(4) 7.5	4120	2451	2520	(4) 12"	149,060	39-1/4"	9' 8-5/8"	8' 2-1/4"	17' 10-7/8"
eco-ATWB 20-6I36	130,640	28,840	188,000	(4) 10	266,950	(4) 7.5	4120	2928	2520	(4) 12"	167,020	47-3/4"	10' 5-1/8"	8' 2-1/4"	18' 7-3/8"
eco-ATWB 20-6J36	131,160	28,970	188,520	(4) 15	305,580	(4) 7.5	4120	2928	2520	(4) 12"	167,540	47-3/4"	10' 5-1/8"	8' 2-1/4"	18' 7-3/8"
eco-ATWB 20-6K36	131,400	29,030	188,760	(4) 20	336,330	(4) 7.5	4120	2928	2520	(4) 12"	167,780	47-3/4"	10' 5-1/8"	8' 2-1/4"	18' 7-3/8"
eco-ATWB 20-6L36	131,520	29,060	188,880	(4) 25	362,300	(4) 7.5	4120	2928	2520	(4) 12"	167,900	47-3/4"	10' 5-1/8"	8' 2-1/4"	18' 7-3/8"
eco-ATWB 20-6M36	131,720	29,110	189,080	(4) 30	381,580	(4) 7.5	4120	2928	2520	(4) 12"	168,100	47-3/4"	10' 5-1/8"	8' 2-1/4"	18' 7-3/8"
eco-ATWB 20-6N36	132,360	29,270	189,720	(4) 40	413,590	(4) 7.5	4120	2928	2520	(4) 12"	168,740	47-3/4"	10' 5-1/8"	8' 2-1/4"	18' 7-3/8"

† Model Numbers end in "-Z" for units with Series Flow piping configuration. Series Flow units may require additional coil connections and will require crossover piping. Model numbers will include "R" for units with Low Sound Fan(s) and "S" for units with an option that negates CTI certification.

†† Heaviest section is the coil/fan section.

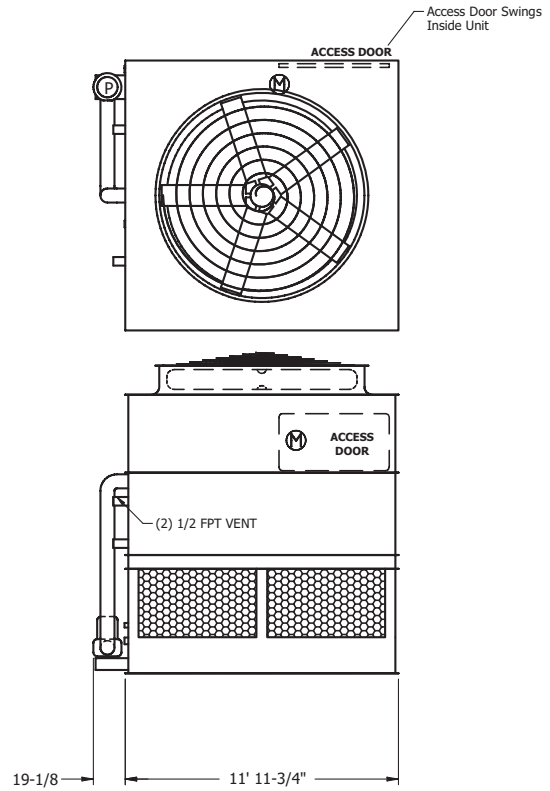
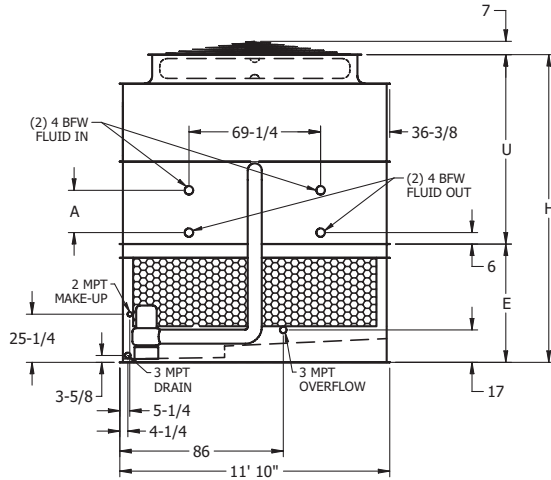
* Gallons shown is water in suspension in unit and piping. Allow for additional water in bottom of remote sump to cover pump suction and strainer during operation (12" would normally be sufficient).

△ When a remote sump arrangement is selected, the spray pump, suction strainer and associated piping are omitted; the unit is provided with an oversized outlet to facilitate drainage to the remote sump.

■ Unit dimensions and coil connections may vary slightly from catalog. See factory certified prints for dimensions, quantity of coil connections, and piping configuration. Coil connections are 4" bevel for weld (BFW). Other connection types such as grooved for mechanical coupling or flanged are also available as options.

eco-ATWB 12-3J12 to 12-6N12

Selections for eco-ATWB Closed Circuit Coolers are available from EVAPCO's **SPECTRUM™** Program. Please contact your local sales representative for more information on the **SPECTRUM™** program.



Note: The number of coil connections doubles when the flow rate exceeds 900 GPM on eco-ATW 12x12 models. This required option is referred to as the High Flow coil configuration.

eco-ATWB Model Number†	Weights (lbs)			Fans		Spray Pump		Coil Volume (Gallons)	Remote Sump [△]			Dimensions [■]			
	Shipping	Heaviest Section††	Operating	HP	CFM	HP	GPM		Gallons* [*] Required	Conn. Size	Operating Weight (lbs)	Coil A	Upper U	Lower E	Height H
eco-ATWB 12-3J12	16,950	14,240	25,570	15	72,500	5	800	312	490	12"	21,620	22-1/4"	8' 3-5/8"	5' 2-1/4"	13' 5-7/8"
eco-ATWB 12-3K12	17,010	14,300	25,630	20	79,790	5	800	312	490	12"	21,680	22-1/4"	8' 3-5/8"	5' 2-1/4"	13' 5-7/8"
eco-ATWB 12-3L12	17,040	14,330	25,660	25	85,040	5	800	312	490	12"	21,710	22-1/4"	8' 3-5/8"	5' 2-1/4"	13' 5-7/8"
eco-ATWB 12-3M12	17,090	14,380	25,710	30	89,490	5	800	312	490	12"	21,760	22-1/4"	8' 3-5/8"	5' 2-1/4"	13' 5-7/8"
eco-ATWB 12-4J12	20,140	17,430	29,580	15	70,390	5	800	409	490	12"	25,630	30-3/4"	9' 1/8"	5' 2-1/4"	14' 2-3/8"
eco-ATWB 12-4K12	20,200	17,490	29,640	20	77,470	5	800	409	490	12"	25,690	30-3/4"	9' 1/8"	5' 2-1/4"	14' 2-3/8"
eco-ATWB 12-4L12	20,230	17,520	29,670	25	82,560	5	800	409	490	12"	25,720	30-3/4"	9' 1/8"	5' 2-1/4"	14' 2-3/8"
eco-ATWB 12-4M12	20,280	17,570	29,720	30	86,890	5	800	409	490	12"	25,770	30-3/4"	9' 1/8"	5' 2-1/4"	14' 2-3/8"
eco-ATWB 12-4N12	20,440	17,730	29,880	40	94,180	5	800	409	490	12"	25,930	30-3/4"	9' 1/8"	5' 2-1/4"	14' 2-3/8"
eco-ATWB 12-5K12	23,230	20,520	33,480	20	75,150	5	800	506	490	12"	29,530	39-1/4"	9' 8-5/8"	5' 2-1/4"	14' 10-7/8"
eco-ATWB 12-5L12	23,260	20,550	33,510	25	80,090	5	800	506	490	12"	29,560	39-1/4"	9' 8-5/8"	5' 2-1/4"	14' 10-7/8"
eco-ATWB 12-5M12	23,310	20,600	33,560	30	84,280	5	800	506	490	12"	29,610	39-1/4"	9' 8-5/8"	5' 2-1/4"	14' 10-7/8"
eco-ATWB 12-5N12	23,470	20,760	33,720	40	91,350	5	800	506	490	12"	29,770	39-1/4"	9' 8-5/8"	5' 2-1/4"	14' 10-7/8"
eco-ATWB 12-6L12	26,470	23,760	37,530	25	77,610	5	800	604	490	12"	33,580	47-3/4"	10' 5-1/8"	5' 2-1/4"	15' 7-3/8"
eco-ATWB 12-6M12	26,520	23,810	37,580	30	81,670	5	800	604	490	12"	33,630	47-3/4"	10' 5-1/8"	5' 2-1/4"	15' 7-3/8"
eco-ATWB 12-6N12	26,680	23,970	37,740	40	88,530	5	800	604	490	12"	33,790	47-3/4"	10' 5-1/8"	5' 2-1/4"	15' 7-3/8"

† Model Numbers end in "-Z" for units with Series Flow piping configuration. Series Flow units may require additional coil connections and will require crossover piping. Model numbers will include "R" for units with Low Sound Fan(s) and "S" for units with an option that negates CTI certification.

†† Heaviest section is the coil/fan section.

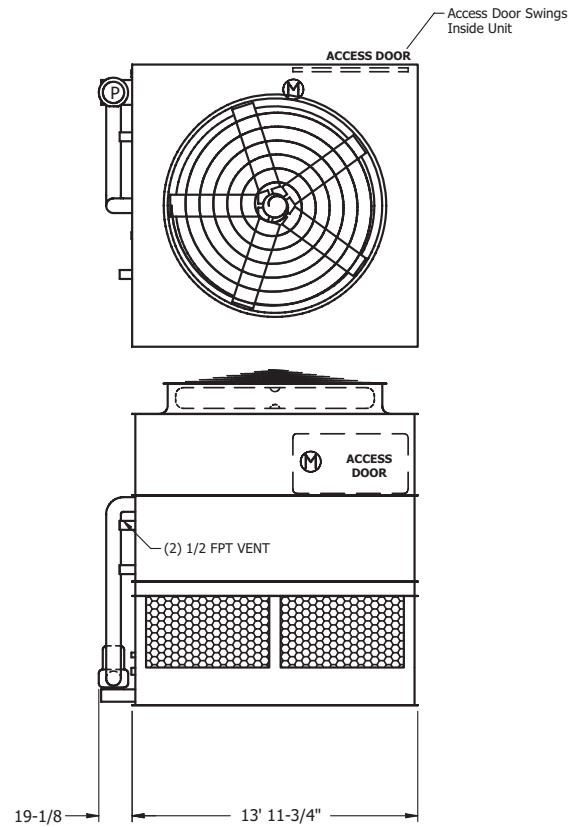
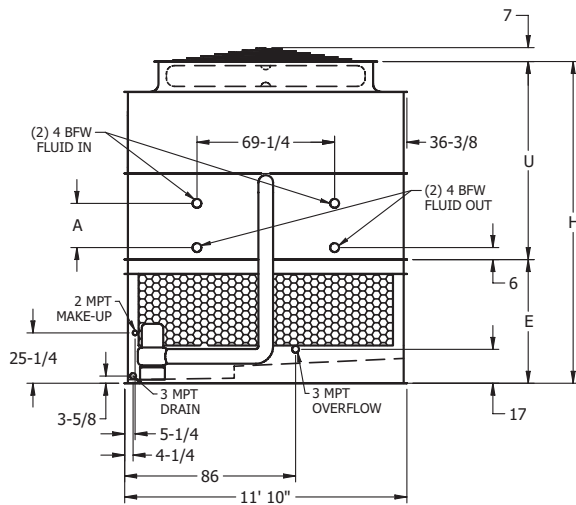
* Gallons shown is water in suspension in unit and piping. Allow for additional water in bottom of remote sump to cover pump suction and strainer during operation (12" would normally be sufficient).

△ When a remote sump arrangement is selected, the spray pump, suction strainer and associated piping are omitted; the unit is provided with an oversized outlet to facilitate drainage to the remote sump.

■ Unit dimensions and coil connections may vary slightly from catalog. See factory certified prints for dimensions, quantity of coil connections, and piping configuration. Coil connections are 4" bevel for weld (BFW). Other connection types such as grooved for mechanical coupling or flanged are also available as options.

eco-ATWB 12-3K14 to 12-6N14

Selections for eco-ATWB Closed Circuit Coolers are available from EVAPCO's **SPECTRUM™** Program. Please contact your local sales representative for more information on the **SPECTRUM™** program.



Note: The number of coil connections doubles when the flow rate exceeds 900 GPM on eco-ATW 12x14 models. This required option is referred to as the High Flow coil configuration.

eco-ATWB Model Number†	Weights (lbs)			Fans		Spray Pump	Coil Volume (Gallons)	Remote Sump △			Dimensions ■				
	Shipping	Heaviest Section††	Operating	HP	CFM	HP		GPM	Gallons* Required	Conn. Size	Operating Weight (lbs)	Coil A	Upper U	Lower E	Height H
eco-ATWB 12-3K14	19,320	16,260	29,440	20	88,450	5	900	361	570	12"	24,870	22-1/4"	8' 3-5/8"	5' 8-1/4"	13' 11-7/8"
eco-ATWB 12-3L14	19,350	16,290	29,470	25	95,050	5	900	361	570	12"	24,900	22-1/4"	8' 3-5/8"	5' 8-1/4"	13' 11-7/8"
eco-ATWB 12-3M14	19,400	16,340	29,520	30	100,020	5	900	361	570	12"	24,950	22-1/4"	8' 3-5/8"	5' 8-1/4"	13' 11-7/8"
eco-ATWB 12-3N14	19,560	16,500	29,680	40	108,410	5	900	361	570	12"	25,110	22-1/4"	8' 3-5/8"	5' 8-1/4"	13' 11-7/8"
eco-ATWB 12-4K14	23,040	19,980	34,110	20	85,870	5	900	475	570	12"	29,540	30-3/4"	9' 1/8"	5' 8-1/4"	14' 8-3/8"
eco-ATWB 12-4L14	23,070	20,010	34,140	25	92,280	5	900	475	570	12"	29,570	30-3/4"	9' 1/8"	5' 8-1/4"	14' 8-3/8"
eco-ATWB 12-4M14	23,120	20,060	34,190	30	97,110	5	900	475	570	12"	29,620	30-3/4"	9' 1/8"	5' 8-1/4"	14' 8-3/8"
eco-ATWB 12-4N14	23,280	20,220	34,350	40	105,260	5	900	475	570	12"	29,780	30-3/4"	9' 1/8"	5' 8-1/4"	14' 8-3/8"
eco-ATWB 12-5L14	26,560	23,500	38,580	25	89,510	5	900	589	570	12"	34,010	39-1/4"	9' 8-5/8"	5' 8-1/4"	15' 4-7/8"
eco-ATWB 12-5M14	26,610	23,550	38,630	30	94,200	5	900	589	570	12"	34,060	39-1/4"	9' 8-5/8"	5' 8-1/4"	15' 4-7/8"
eco-ATWB 12-5N14	26,770	23,710	38,790	40	102,100	5	900	589	570	12"	34,220	39-1/4"	9' 8-5/8"	5' 8-1/4"	15' 4-7/8"
eco-ATWB 12-6L14	30,600	27,540	43,570	25	86,740	5	900	703	570	12"	39,000	47-3/4"	10' 5-1/8"	5' 8-1/4"	16' 1-3/8"
eco-ATWB 12-6M14	30,650	27,590	43,620	30	91,280	5	900	703	570	12"	39,050	47-3/4"	10' 5-1/8"	5' 8-1/4"	16' 1-3/8"
eco-ATWB 12-6N14	30,810	27,750	43,780	40	98,940	5	900	703	570	12"	39,210	47-3/4"	10' 5-1/8"	5' 8-1/4"	16' 1-3/8"

† Model Numbers end in "-Z" for units with Series Flow piping configuration. Series Flow units may require additional coil connections and will require crossover piping. Model numbers will include "R" for units with Low Sound Fan(s) and "S" for units with an option that negates CTI certification.

†† Heaviest section is the coil/fan section.

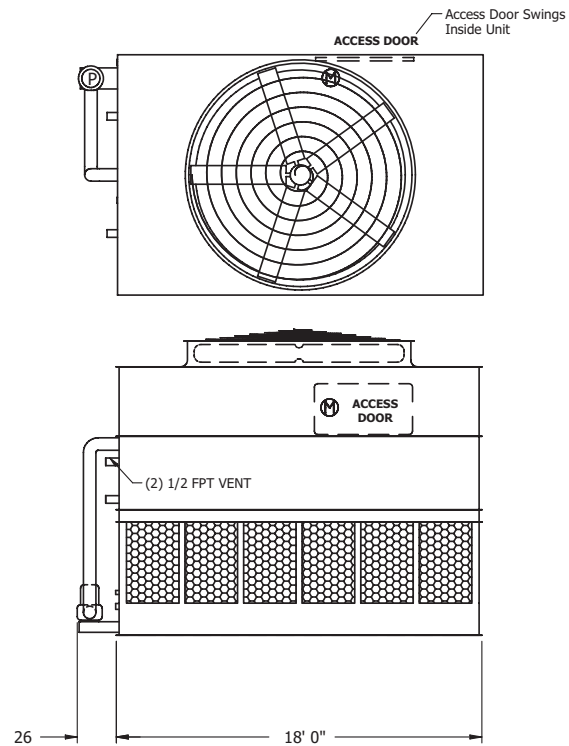
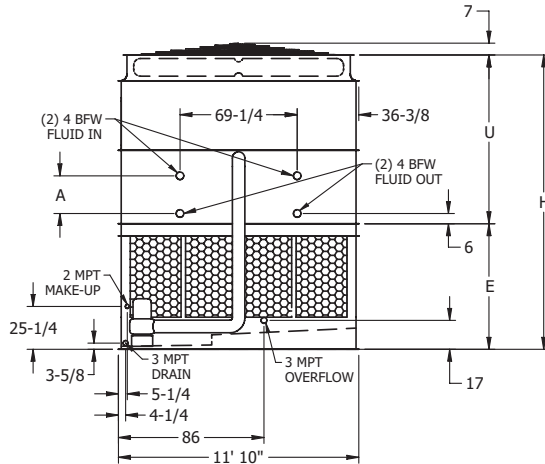
* Gallons shown is water in suspension in unit and piping. Allow for additional water in bottom of remote sump to cover pump suction and strainer during operation (12" would normally be sufficient).

△ When a remote sump arrangement is selected, the spray pump, suction strainer and associated piping are omitted; the unit is provided with an oversized outlet to facilitate drainage to the remote sump.

■ Unit dimensions and coil connections may vary slightly from catalog. See factory certified prints for dimensions, quantity of coil connections, and piping configuration. Coil connections are 4" bevel for weld (BFW). Other connection types such as grooved for mechanical coupling or flanged are also available as options.

eco-ATWB 12-3K18 to 12-6P18

Selections for eco-ATWB Closed Circuit Coolers are available from EVAPCO's **SPECTRUM™** Program. Please contact your local sales representative for more information on the **SPECTRUM™** program.



Note: The number of coil connections doubles when the flow rate exceeds 900 GPM on eco-ATW 12x18 models. This required option is referred to as the High Flow coil configuration.

eco-ATWB Model Number†	Weights (lbs)			Fans		Spray Pump		Coil Volume (Gallons)	Remote Sump △			Dimensions ■			
	Shipping	Heaviest Section††	Operating	HP	CFM	HP	GPM		Gallons* Required	Conn. Size	Operating Weight (lbs)	Coil A	Upper U	Lower E	Height H
eco-ATWB 12-3K18	24,300	20,380	37,240	20	108,040	7-1/2	1200	461	720	12"	31,370	22-1/4"	8' 3-5/8"	6' 2-1/4"	14' 5-7/8"
eco-ATWB 12-3L18	24,330	20,410	37,270	25	116,380	7-1/2	1200	461	720	12"	31,400	22-1/4"	8' 3-5/8"	6' 2-1/4"	14' 5-7/8"
eco-ATWB 12-3M18	24,380	20,460	37,320	30	123,680	7-1/2	1200	461	720	12"	31,450	22-1/4"	8' 3-5/8"	6' 2-1/4"	14' 5-7/8"
eco-ATWB 12-3N18	24,540	20,620	37,480	40	134,230	7-1/2	1200	461	720	12"	31,610	22-1/4"	8' 3-5/8"	6' 2-1/4"	14' 5-7/8"
eco-ATWB 12-4K18	29,060	25,140	43,230	20	104,900	7-1/2	1200	608	720	12"	37,360	30-3/4"	9' 1/8"	6' 2-1/4"	15' 2-3/8"
eco-ATWB 12-4L18	29,090	25,170	43,260	25	112,990	7-1/2	1200	608	720	12"	37,390	30-3/4"	9' 1/8"	6' 2-1/4"	15' 2-3/8"
eco-ATWB 12-4M18	29,140	25,220	43,310	30	120,070	7-1/2	1200	608	720	12"	37,440	30-3/4"	9' 1/8"	6' 2-1/4"	15' 2-3/8"
eco-ATWB 12-4N18	29,300	25,380	43,470	40	130,320	7-1/2	1200	608	720	12"	37,600	30-3/4"	9' 1/8"	6' 2-1/4"	15' 2-3/8"
eco-ATWB 12-4O18	29,310	25,390	43,480	50	138,720	7-1/2	1200	608	720	12"	37,610	30-3/4"	9' 1/8"	6' 2-1/4"	15' 2-3/8"
eco-ATWB 12-5L18	33,690	29,770	49,080	25	109,600	7-1/2	1200	755	720	12"	43,210	39-1/4"	9' 8-5/8"	6' 2-1/4"	15' 10-7/8"
eco-ATWB 12-5M18	33,740	29,820	49,130	30	116,470	7-1/2	1200	755	720	12"	43,260	39-1/4"	9' 8-5/8"	6' 2-1/4"	15' 10-7/8"
eco-ATWB 12-5N18	33,900	29,980	49,290	40	126,410	7-1/2	1200	755	720	12"	43,420	39-1/4"	9' 8-5/8"	6' 2-1/4"	15' 10-7/8"
eco-ATWB 12-5O18	33,910	29,990	49,300	50	134,560	7-1/2	1200	755	720	12"	43,430	39-1/4"	9' 8-5/8"	6' 2-1/4"	15' 10-7/8"
eco-ATWB 12-6M18	38,390	34,470	55,010	30	112,870	7-1/2	1200	902	720	12"	49,140	47-3/4"	10' 5-1/8"	6' 2-1/4"	16' 7-3/8"
eco-ATWB 12-6N18	38,550	34,630	55,170	40	122,500	7-1/2	1200	902	720	12"	49,300	47-3/4"	10' 5-1/8"	6' 2-1/4"	16' 7-3/8"
eco-ATWB 12-6O18	38,560	34,640	55,180	50	130,390	7-1/2	1200	902	720	12"	49,310	47-3/4"	10' 5-1/8"	6' 2-1/4"	16' 7-3/8"
eco-ATWB 12-6P18	38,760	34,840	55,380	60	137,220	7-1/2	1200	902	720	12"	49,510	47-3/4"	10' 5-1/8"	6' 2-1/4"	16' 7-3/8"

† Model Numbers end in "-Z" for units with Series Flow piping configuration. Series Flow units may require additional coil connections and will require crossover piping. Model numbers will include "R" for units with Low Sound Fan(s) and "S" for units with an option that negates CTI certification.

†† Heaviest section is the coil/fan section.

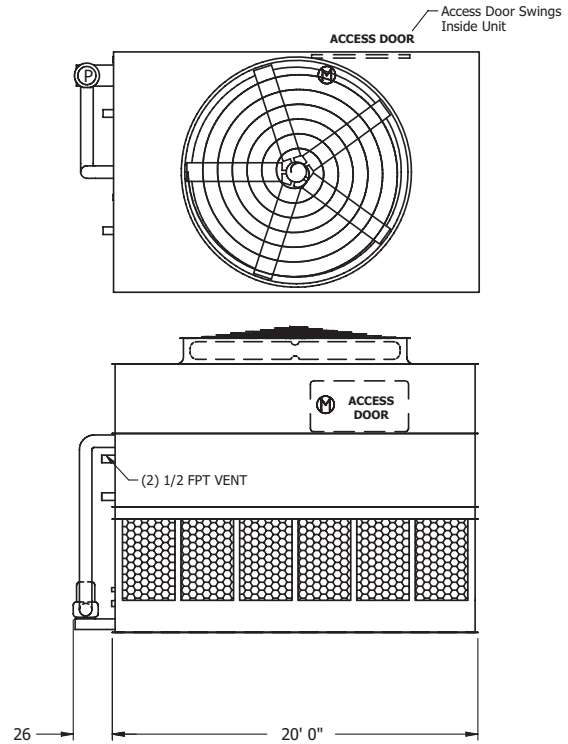
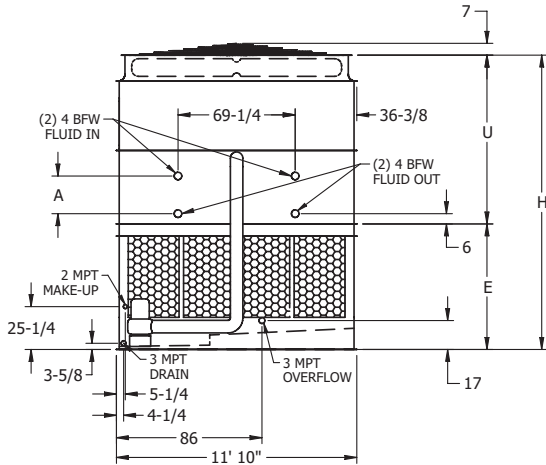
* Gallons shown is water in suspension in unit and piping. Allow for additional water in bottom of remote sump to cover pump suction and strainer during operation (12" would normally be sufficient).

△ When a remote sump arrangement is selected, the spray pump, suction strainer and associated piping are omitted; the unit is provided with an oversized outlet to facilitate drainage to the remote sump.

■ Unit dimensions and coil connections may vary slightly from catalog. See factory certified prints for dimensions, quantity of coil connections, and piping configuration. Coil connections are 4" bevel for weld (BFW). Other connection types such as grooved for mechanical coupling or flanged are also available as options.

eco-ATWB 12-3L20 to 12-6P20

Selections for eco-ATWB Closed Circuit Coolers are available from EVAPCO's **SPECTRUM™** Program. Please contact your local sales representative for more information on the **SPECTRUM™** program.



Note: The number of coil connections doubles when the flow rate exceeds 900 GPM on eco-ATW 12x20 models. This required option is referred to as the High Flow coil configuration.

eco-ATWB Model Number†	Weights (lbs)			Fans		Spray Pump		Coil Volume (Gallons)	Remote Sump △			Dimensions ■			
	Shipping	Heaviest Section††	Operating	HP	CFM	HP	GPM		Gallons* Required	Conn. Size	Operating Weight (lbs)	Coil A	Upper U	Lower E	Height H
eco-ATWB 12-3L20	26,870	22,360	41,340	25	124,860	10	1400	511	800	14"	34,640	22-1/4"	8' 3-5/8"	6' 2-1/4"	14' 5-7/8"
eco-ATWB 12-3M20	26,920	22,410	41,390	30	132,680	10	1400	511	800	14"	34,690	22-1/4"	8' 3-5/8"	6' 2-1/4"	14' 5-7/8"
eco-ATWB 12-3N20	27,080	22,570	41,550	40	144,810	10	1400	511	800	14"	34,850	22-1/4"	8' 3-5/8"	6' 2-1/4"	14' 5-7/8"
eco-ATWB 12-3O20	27,090	22,580	41,560	50	154,150	10	1400	511	800	14"	34,860	22-1/4"	8' 3-5/8"	6' 2-1/4"	14' 5-7/8"
eco-ATWB 12-4L20	32,110	27,600	47,950	25	121,220	10	1400	674	800	14"	41,250	30-3/4"	9' 1/8"	6' 2-1/4"	15' 2-3/8"
eco-ATWB 12-4M20	32,160	27,650	48,000	30	128,820	10	1400	674	800	14"	41,300	30-3/4"	9' 1/8"	6' 2-1/4"	15' 2-3/8"
eco-ATWB 12-4N20	32,320	27,810	48,160	40	140,590	10	1400	674	800	14"	41,460	30-3/4"	9' 1/8"	6' 2-1/4"	15' 2-3/8"
eco-ATWB 12-4O20	32,330	27,820	48,170	50	149,660	10	1400	674	800	14"	41,470	30-3/4"	9' 1/8"	6' 2-1/4"	15' 2-3/8"
eco-ATWB 12-5M20	37,280	32,770	54,490	30	124,950	10	1400	838	800	14"	47,790	39-1/4"	9' 8-5/8"	6' 2-1/4"	15' 10-7/8"
eco-ATWB 12-5N20	37,440	32,930	54,650	40	136,380	10	1400	838	800	14"	47,950	39-1/4"	9' 8-5/8"	6' 2-1/4"	15' 10-7/8"
eco-ATWB 12-5O20	37,450	32,940	54,660	50	145,170	10	1400	838	800	14"	47,960	39-1/4"	9' 8-5/8"	6' 2-1/4"	15' 10-7/8"
eco-ATWB 12-5P20	37,650	33,140	54,860	60	152,770	10	1400	838	800	14"	48,160	39-1/4"	9' 8-5/8"	6' 2-1/4"	15' 10-7/8"
eco-ATWB 12-6N20	43,090	38,580	61,660	40	132,160	10	1400	1002	800	14"	54,960	47-3/4"	10' 5-1/8"	6' 2-1/4"	16' 7-3/8"
eco-ATWB 12-6O20	43,100	38,590	61,670	50	140,680	10	1400	1002	800	14"	54,970	47-3/4"	10' 5-1/8"	6' 2-1/4"	16' 7-3/8"
eco-ATWB 12-6P20	43,300	38,790	61,870	60	148,050	10	1400	1002	800	14"	55,170	47-3/4"	10' 5-1/8"	6' 2-1/4"	16' 7-3/8"

† Model Numbers end in "-Z" for units with Series Flow piping configuration. Series Flow units may require additional coil connections and will require crossover piping. Model numbers will include "R" for units with Low Sound Fan(s) and "S" for units with an option that negates CTI certification.

†† Heaviest section is the coil/fan section.

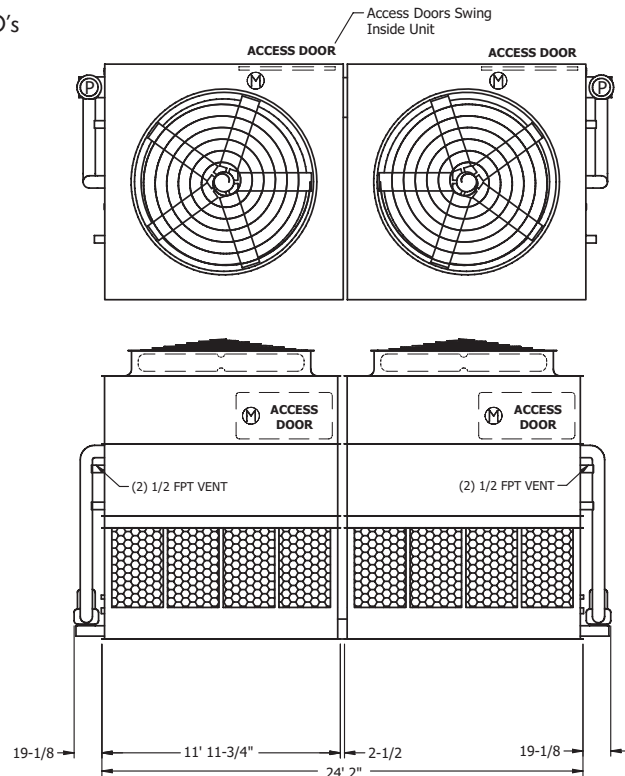
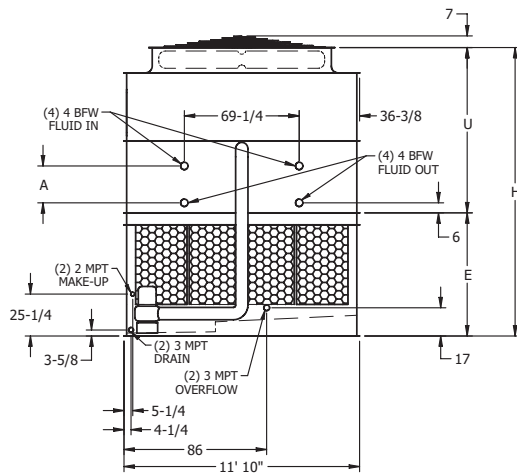
* Gallons shown is water in suspension in unit and piping. Allow for additional water in bottom of remote sump to cover pump suction and strainer during operation (12" would normally be sufficient).

△ When a remote sump arrangement is selected, the spray pump, suction strainer and associated piping are omitted; the unit is provided with an oversized outlet to facilitate drainage to the remote sump.

■ Unit dimensions and coil connections may vary slightly from catalog. See factory certified prints for dimensions, quantity of coil connections, and piping configuration. Coil connections are 4" bevel for weld (BFW). Other connection types such as grooved for mechanical coupling or flanged are also available as options.

eco-ATWB 12-3J24 to 12-6N24

Selections for eco-ATWB Closed Circuit Coolers are available from EVAPCO's **SPECTRUM™** Program. Please contact your local sales representative for more information on the **SPECTRUM™** program.



Note: The number of coil connections doubles when the flow rate exceeds 1,800 GPM on eco-ATW 12x24 models. This required option is referred to as the High Flow coil configuration.

eco-ATWB Model Number†	Weights (lbs)			Fans		Spray Pump		Coil Volume (Gallons)	Remote Sump △			Dimensions ■			
	Shipping	Heaviest Section††	Operating	HP	CFM	HP	GPM		Gallons*‡	Conn. Size	Operating Weight (lbs)	Coil A	Upper U	Lower E	Height H
eco-ATWB 12-3J24	33,900	14,240	51,140	(2) 15	145,000	(2) 5	1600	623	980	(2) 12"	43,240	22-1/4"	8' 3-5/8"	6' 2-1/4"	14' 5-7/8"
eco-ATWB 12-3K24	34,020	14,300	51,260	(2) 20	159,590	(2) 5	1600	623	980	(2) 12"	43,360	22-1/4"	8' 3-5/8"	6' 2-1/4"	14' 5-7/8"
eco-ATWB 12-3L24	34,080	14,330	51,320	(2) 25	170,080	(2) 5	1600	623	980	(2) 12"	43,420	22-1/4"	8' 3-5/8"	6' 2-1/4"	14' 5-7/8"
eco-ATWB 12-3M24	34,180	14,380	51,420	(2) 30	178,990	(2) 5	1600	623	980	(2) 12"	43,520	22-1/4"	8' 3-5/8"	6' 2-1/4"	14' 5-7/8"
eco-ATWB 12-4K24	40,400	17,490	59,280	(2) 20	154,940	(2) 5	1600	818	980	(2) 12"	51,380	30-3/4"	9' 1/8"	6' 2-1/4"	15' 2-3/8"
eco-ATWB 12-4L24	40,460	17,520	59,340	(2) 25	165,130	(2) 5	1600	818	980	(2) 12"	51,440	30-3/4"	9' 1/8"	6' 2-1/4"	15' 2-3/8"
eco-ATWB 12-4M24	40,560	17,570	59,440	(2) 30	173,780	(2) 5	1600	818	980	(2) 12"	51,540	30-3/4"	9' 1/8"	6' 2-1/4"	15' 2-3/8"
eco-ATWB 12-4N24	40,880	17,730	59,760	(2) 40	188,350	(2) 5	1600	818	980	(2) 12"	51,860	30-3/4"	9' 1/8"	6' 2-1/4"	15' 2-3/8"
eco-ATWB 12-5K24	46,460	20,520	66,960	(2) 20	150,290	(2) 5	1600	1013	980	(2) 12"	59,060	39-1/4"	9' 8-5/8"	6' 2-1/4"	15' 10-7/8"
eco-ATWB 12-5L24	46,520	20,550	67,020	(2) 25	160,170	(2) 5	1600	1013	980	(2) 12"	59,120	39-1/4"	9' 8-5/8"	6' 2-1/4"	15' 10-7/8"
eco-ATWB 12-5M24	46,620	20,600	67,120	(2) 30	168,560	(2) 5	1600	1013	980	(2) 12"	59,220	39-1/4"	9' 8-5/8"	6' 2-1/4"	15' 10-7/8"
eco-ATWB 12-5N24	46,940	20,760	67,440	(2) 40	182,700	(2) 5	1600	1013	980	(2) 12"	59,540	39-1/4"	9' 8-5/8"	6' 2-1/4"	15' 10-7/8"
eco-ATWB 12-6L24	52,940	23,760	75,060	(2) 25	155,220	(2) 5	1600	1208	980	(2) 12"	67,160	47-3/4"	10' 5-1/8"	6' 2-1/4"	16' 7-3/8"
eco-ATWB 12-6M24	53,040	23,810	75,160	(2) 30	163,350	(2) 5	1600	1208	980	(2) 12"	67,260	47-3/4"	10' 5-1/8"	6' 2-1/4"	16' 7-3/8"
eco-ATWB 12-6N24	53,360	23,970	75,480	(2) 40	177,050	(2) 5	1600	1208	980	(2) 12"	67,580	47-3/4"	10' 5-1/8"	6' 2-1/4"	16' 7-3/8"

† Model Numbers end in "-Z" for units with Series Flow piping configuration. Series Flow units may require additional coil connections and will require crossover piping. Model numbers will include "R" for units with Low Sound Fan(s) and "S" for units with an option that negates CTI certification.

†† Heaviest section is the coil/fan section.

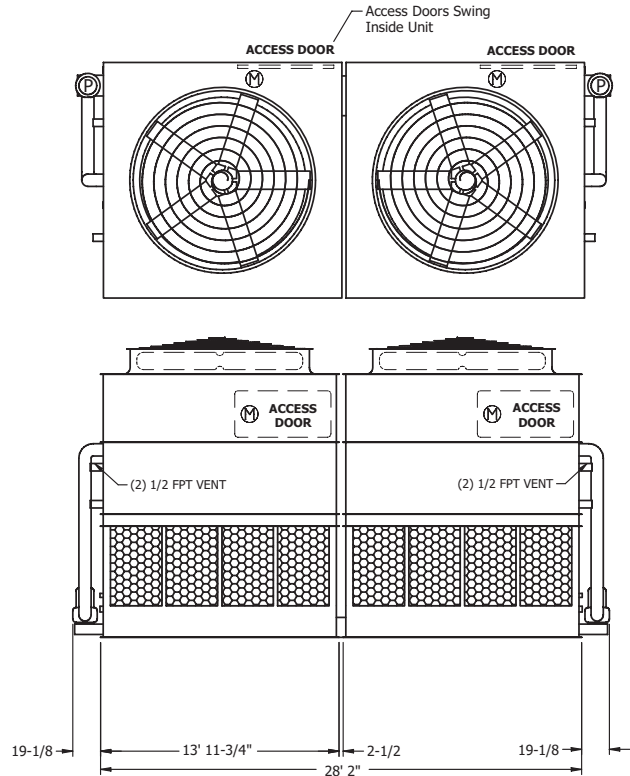
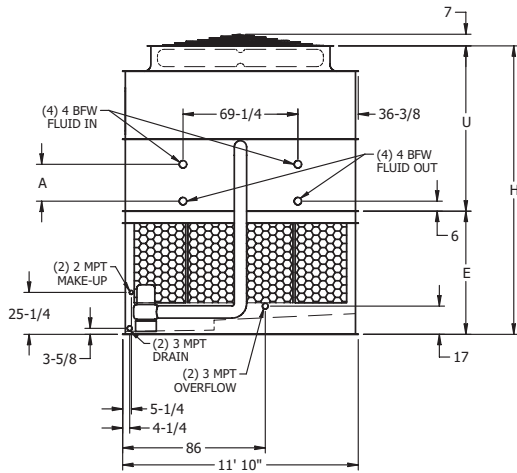
* Gallons shown is water in suspension in unit and piping. Allow for additional water in bottom of remote sump to cover pump suction and strainer during operation (12" would normally be sufficient).

△ When a remote sump arrangement is selected, the spray pump, suction strainer and associated piping are omitted; the unit is provided with an oversized outlet to facilitate drainage to the remote sump.

■ Unit dimensions and coil connections may vary slightly from catalog. See factory certified prints for dimensions, quantity of coil connections, and piping configuration. Coil connections are 4" bevel for weld (BFW). Other connection types such as grooved for mechanical coupling or flanged are also available as options.

eco-ATWB 12-3K28 to 12-6N28

Selections for eco-ATWB Closed Circuit Coolers are available from EVAPCO's **SPECTRUM™** Program. Please contact your local sales representative for more information on the **SPECTRUM™** program.



Note: The number of coil connections doubles when the flow rate exceeds 1,800 GPM on eco-ATW 12x28 models. This required option is referred to as the High Flow coil configuration.

eco-ATWB Model Number†	Weights (lbs)			Fans		Spray Pump		Coil Volume (Gallons)	Remote Sump △			Dimensions ■			
	Shipping	Heaviest Section††	Operating	HP	CFM	HP	GPM		Gallons* Required	Conn. Size	Operating Weight (lbs)	Coil A	Upper U	Lower E	Height H
eco-ATWB 12-3K28	38,640	16,260	58,880	(2) 20	176,900	(2) 5	1800	723	1140	(2) 12"	49,740	22-1/4"	8' 3-5/8"	7' 2-1/4"	15' 5-7/8"
eco-ATWB 12-3L28	38,700	16,290	58,940	(2) 25	190,090	(2) 5	1800	723	1140	(2) 12"	49,800	22-1/4"	8' 3-5/8"	7' 2-1/4"	15' 5-7/8"
eco-ATWB 12-3M28	38,800	16,340	59,040	(2) 30	200,050	(2) 5	1800	723	1140	(2) 12"	49,900	22-1/4"	8' 3-5/8"	7' 2-1/4"	15' 5-7/8"
eco-ATWB 12-3N28	39,120	16,500	59,360	(2) 40	216,830	(2) 5	1800	723	1140	(2) 12"	50,220	22-1/4"	8' 3-5/8"	7' 2-1/4"	15' 5-7/8"
eco-ATWB 12-4K28	46,080	19,980	68,220	(2) 20	171,750	(2) 5	1800	951	1140	(2) 12"	59,080	30-3/4"	9' 1/8"	7' 2-1/4"	16' 2-3/8"
eco-ATWB 12-4L28	46,140	20,010	68,280	(2) 25	184,560	(2) 5	1800	951	1140	(2) 12"	59,140	30-3/4"	9' 1/8"	7' 2-1/4"	16' 2-3/8"
eco-ATWB 12-4M28	46,240	20,060	68,380	(2) 30	194,220	(2) 5	1800	951	1140	(2) 12"	59,240	30-3/4"	9' 1/8"	7' 2-1/4"	16' 2-3/8"
eco-ATWB 12-4N28	46,560	20,220	68,700	(2) 40	210,510	(2) 5	1800	951	1140	(2) 12"	59,560	30-3/4"	9' 1/8"	7' 2-1/4"	16' 2-3/8"
eco-ATWB 12-5L28	53,120	23,500	77,160	(2) 25	179,020	(2) 5	1800	1179	1140	(2) 12"	68,020	39-1/4"	9' 8-5/8"	7' 2-1/4"	16' 10-7/8"
eco-ATWB 12-5M28	53,220	23,550	77,260	(2) 30	188,400	(2) 5	1800	1179	1140	(2) 12"	68,120	39-1/4"	9' 8-5/8"	7' 2-1/4"	16' 10-7/8"
eco-ATWB 12-5N28	53,540	23,710	77,580	(2) 40	204,200	(2) 5	1800	1179	1140	(2) 12"	68,440	39-1/4"	9' 8-5/8"	7' 2-1/4"	16' 10-7/8"
eco-ATWB 12-6L28	61,200	27,540	87,140	(2) 25	173,480	(2) 5	1800	1407	1140	(2) 12"	78,000	47-3/4"	10' 5-1/8"	7' 2-1/4"	17' 7-3/8"
eco-ATWB 12-6M28	61,300	27,590	87,240	(2) 30	182,570	(2) 5	1800	1407	1140	(2) 12"	78,100	47-3/4"	10' 5-1/8"	7' 2-1/4"	17' 7-3/8"
eco-ATWB 12-6N28	61,620	27,750	87,560	(2) 40	197,880	(2) 5	1800	1407	1140	(2) 12"	78,420	47-3/4"	10' 5-1/8"	7' 2-1/4"	17' 7-3/8"

† Model Numbers end in "-Z" for units with Series Flow piping configuration. Series Flow units may require additional coil connections and will require crossover piping. Model numbers will include "R" for units with Low Sound Fan(s) and "S" for units with an option that negates CTI certification.

†† Heaviest section is the coil/fan section.

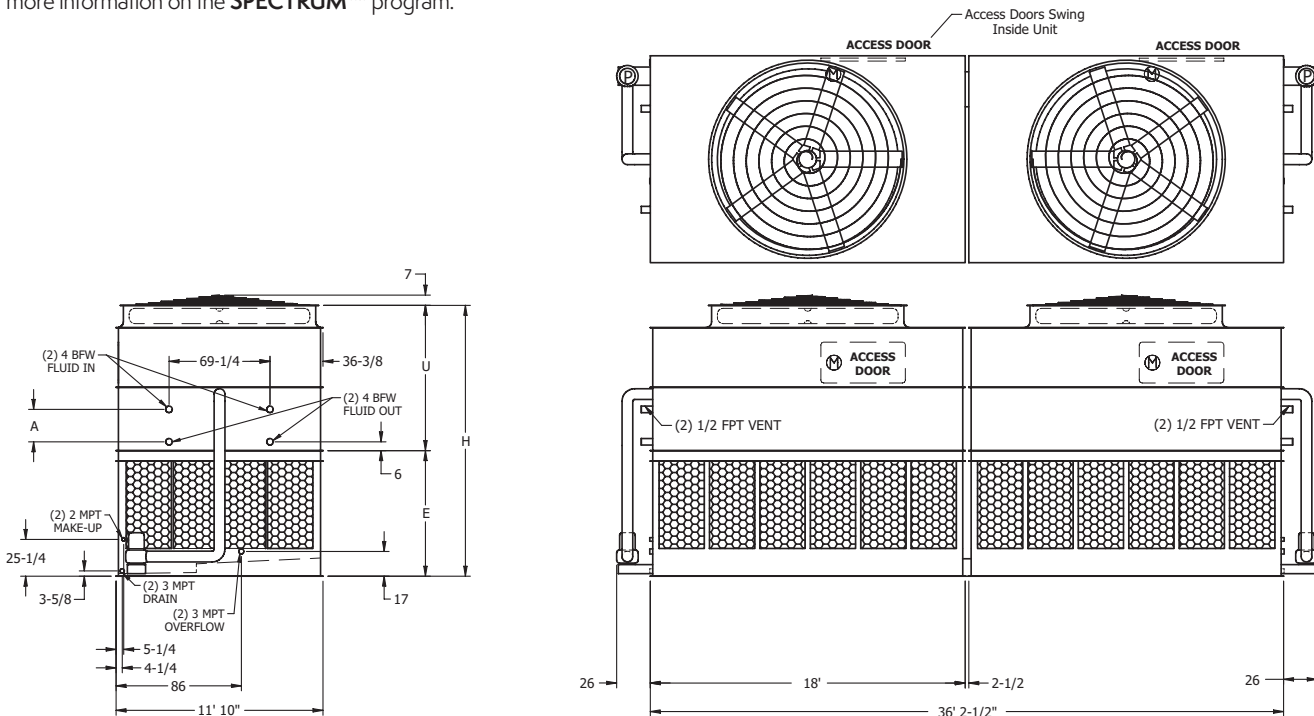
* Gallons shown is water in suspension in unit and piping. Allow for additional water in bottom of remote sump to cover pump suction and strainer during operation (12" would normally be sufficient).

△ When a remote sump arrangement is selected, the spray pump, suction strainer and associated piping are omitted; the unit is provided with an oversized outlet to facilitate drainage to the remote sump.

■ Unit dimensions and coil connections may vary slightly from catalog. See factory certified prints for dimensions, quantity of coil connections, and piping configuration. Coil connections are 4" bevel for weld (BFW). Other connection types such as grooved for mechanical coupling or flanged are also available as options.

eco-ATWB 12-3K36 to 12-6P36

Selections for eco-ATWB Closed Circuit Coolers are available from EVAPCO's **SPECTRUM™** Program. Please contact your local sales representative for more information on the **SPECTRUM™** program.



Note: The number of coil connections doubles when the flow rate exceeds 1,800 GPM on eco-ATW 12x36 models. This required option is referred to as the High Flow coil configuration.

eco-ATWB Model Number†	Weights (lbs)			Fans		Spray Pump		Coil Volume (Gallons)	Remote Sump [△]			Dimensions			
	Shipping	Heaviest Section††	Operating	HP	CFM	HP	GPM		Gallons* Required	Conn. Size	Operating Weight (lbs)	Coil A	Upper U	Lower E	Height H
eco-ATWB 12-3K36	48,600	20,380	74,480	(2) 20	216,080	(2) 7.5	2400	922	1440	(2) 12"	62,740	22-1/4"	8' 3-5/8"	7' 2-1/4"	15' 5-7/8"
eco-ATWB 12-3L36	48,660	20,410	74,540	(2) 25	232,770	(2) 7.5	2400	922	1440	(2) 12"	62,800	22-1/4"	8' 3-5/8"	7' 2-1/4"	15' 5-7/8"
eco-ATWB 12-3M36	48,760	20,460	74,640	(2) 30	247,350	(2) 7.5	2400	922	1440	(2) 12"	62,900	22-1/4"	8' 3-5/8"	7' 2-1/4"	15' 5-7/8"
eco-ATWB 12-3N36	49,080	20,620	74,960	(2) 40	268,450	(2) 7.5	2400	922	1440	(2) 12"	63,220	22-1/4"	8' 3-5/8"	7' 2-1/4"	15' 5-7/8"
eco-ATWB 12-4K36	58,120	25,140	86,460	(2) 20	209,790	(2) 7.5	2400	1216	1440	(2) 12"	74,720	30-3/4"	9' 1/8"	7' 2-1/4"	16' 2-3/8"
eco-ATWB 12-4L36	58,180	25,170	86,520	(2) 25	225,990	(2) 7.5	2400	1216	1440	(2) 12"	74,780	30-3/4"	9' 1/8"	7' 2-1/4"	16' 2-3/8"
eco-ATWB 12-4M36	58,280	25,220	86,620	(2) 30	240,150	(2) 7.5	2400	1216	1440	(2) 12"	74,880	30-3/4"	9' 1/8"	7' 2-1/4"	16' 2-3/8"
eco-ATWB 12-4N36	58,600	25,380	86,940	(2) 40	260,630	(2) 7.5	2400	1216	1440	(2) 12"	75,200	30-3/4"	9' 1/8"	7' 2-1/4"	16' 2-3/8"
eco-ATWB 12-4O36	58,620	25,390	86,960	(2) 50	277,440	(2) 7.5	2400	1216	1440	(2) 12"	75,220	30-3/4"	9' 1/8"	7' 2-1/4"	16' 2-3/8"
eco-ATWB 12-5L36	67,380	29,770	98,160	(2) 25	219,210	(2) 7.5	2400	1510	1440	(2) 12"	86,420	39-1/4"	9' 8-5/8"	7' 2-1/4"	16' 10-7/8"
eco-ATWB 12-5M36	67,480	29,820	98,260	(2) 30	232,940	(2) 7.5	2400	1510	1440	(2) 12"	86,520	39-1/4"	9' 8-5/8"	7' 2-1/4"	16' 10-7/8"
eco-ATWB 12-5N36	67,800	29,980	98,580	(2) 40	252,810	(2) 7.5	2400	1510	1440	(2) 12"	86,840	39-1/4"	9' 8-5/8"	7' 2-1/4"	16' 10-7/8"
eco-ATWB 12-5O36	67,820	29,990	98,600	(2) 50	269,110	(2) 7.5	2400	1510	1440	(2) 12"	86,860	39-1/4"	9' 8-5/8"	7' 2-1/4"	16' 10-7/8"
eco-ATWB 12-6M36	76,780	34,470	110,020	(2) 30	225,740	(2) 7.5	2400	1805	1440	(2) 12"	98,280	47-3/4"	10' 5-1/8"	7' 2-1/4"	17' 7-3/8"
eco-ATWB 12-6N36	77,100	34,630	110,340	(2) 40	244,990	(2) 7.5	2400	1805	1440	(2) 12"	98,600	47-3/4"	10' 5-1/8"	7' 2-1/4"	17' 7-3/8"
eco-ATWB 12-6O36	77,120	34,640	110,360	(2) 50	260,790	(2) 7.5	2400	1805	1440	(2) 12"	98,620	47-3/4"	10' 5-1/8"	7' 2-1/4"	17' 7-3/8"
eco-ATWB 12-6P36	77,520	34,840	110,760	(2) 60	274,450	(2) 7.5	2400	1805	1440	(2) 12"	99,020	47-3/4"	10' 5-1/8"	7' 2-1/4"	17' 7-3/8"

† Model Numbers end in "-Z" for units with Series Flow piping configuration. Series Flow units may require additional coil connections and will require crossover piping. Model numbers will include "R" for units with Low Sound Fan(s) and "S" for units with an option that negates CTI certification.

†† Heaviest section is the coil/fan section.

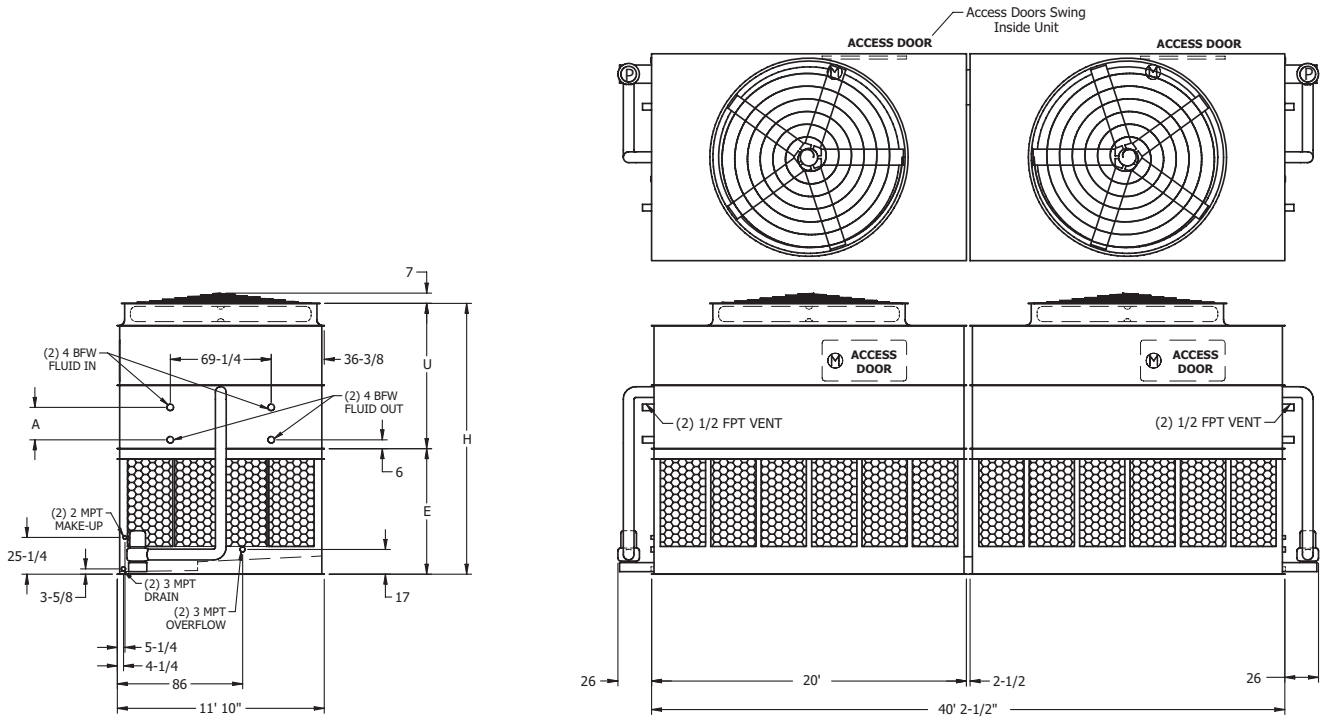
* Gallons shown is water in suspension in unit and piping. Allow for additional water in bottom of remote sump to cover pump suction and strainer during operation (12" would normally be sufficient).

△ When a remote sump arrangement is selected, the spray pump, suction strainer and associated piping are omitted; the unit is provided with an oversized outlet to facilitate drainage to the remote sump.

■ Unit dimensions and coil connections may vary slightly from catalog. See factory certified prints for dimensions, quantity of coil connections, and piping configuration. Coil connections are 4" bevel for weld (BFW). Other connection types such as grooved for mechanical coupling or flanged are also available as options.

eco-ATWB 12-3L40 to 12-6P40

Selections for eco-ATWB Closed Circuit Coolers are available from EVAPCO's **SPECTRUM™** Program. Please contact your local sales representative for more information on the **SPECTRUM™** program.



Note: The number of coil connections doubles when the flow rate exceeds 1,800 GPM on eco-ATW 12x40 models. This required option is referred to as the High Flow coil configuration.

eco-ATWB Model Number†	Weights (lbs)			Fans		Spray Pump	Coil Volume (Gallons)	Remote Sump △			Dimensions ■				
	Shipping	Heaviest Section††	Operating	HP	CFM	HP		GPM	Gallons* Required	Conn. Size	Operating Weight (lbs)	Coil A	Upper U	Lower E	Height H
eco-ATWB 12-3L40	53,740	22,360	82,680	(2) 25	249,720	(2) 10	2800	1021	1600	(2) 1 1/4"	69,280	22-1/4"	8' 3-5/8"	7' 2-1/4"	15' 5-7/8"
eco-ATWB 12-3M40	53,840	22,410	82,780	(2) 30	265,370	(2) 10	2800	1021	1600	(2) 1 1/4"	69,380	22-1/4"	8' 3-5/8"	7' 2-1/4"	15' 5-7/8"
eco-ATWB 12-3N40	54,160	22,570	83,100	(2) 40	289,620	(2) 10	2800	1021	1600	(2) 1 1/4"	69,700	22-1/4"	8' 3-5/8"	7' 2-1/4"	15' 5-7/8"
eco-ATWB 12-3O40	54,180	22,580	83,120	(2) 50	308,300	(2) 10	2800	1021	1600	(2) 1 1/4"	69,720	22-1/4"	8' 3-5/8"	7' 2-1/4"	15' 5-7/8"
eco-ATWB 12-4L40	64,220	27,600	95,900	(2) 25	242,450	(2) 10	2800	1349	1600	(2) 1 1/4"	82,500	30-3/4"	9' 1/8"	7' 2-1/4"	16' 2-3/8"
eco-ATWB 12-4M40	64,320	27,650	96,000	(2) 30	257,640	(2) 10	2800	1349	1600	(2) 1 1/4"	82,600	30-3/4"	9' 1/8"	7' 2-1/4"	16' 2-3/8"
eco-ATWB 12-4N40	64,640	27,810	96,320	(2) 40	281,190	(2) 10	2800	1349	1600	(2) 1 1/4"	82,920	30-3/4"	9' 1/8"	7' 2-1/4"	16' 2-3/8"
eco-ATWB 12-4O40	64,660	27,820	96,340	(2) 50	299,320	(2) 10	2800	1349	1600	(2) 1 1/4"	82,940	30-3/4"	9' 1/8"	7' 2-1/4"	16' 2-3/8"
eco-ATWB 12-5M40	74,560	32,770	108,980	(2) 30	249,910	(2) 10	2800	1676	1600	(2) 1 1/4"	95,580	39-1/4"	9' 8-5/8"	7' 2-1/4"	16' 10-7/8"
eco-ATWB 12-5N40	74,880	32,930	109,300	(2) 40	272,750	(2) 10	2800	1676	1600	(2) 1 1/4"	95,900	39-1/4"	9' 8-5/8"	7' 2-1/4"	16' 10-7/8"
eco-ATWB 12-5O40	74,900	32,940	109,320	(2) 50	290,340	(2) 10	2800	1676	1600	(2) 1 1/4"	95,920	39-1/4"	9' 8-5/8"	7' 2-1/4"	16' 10-7/8"
eco-ATWB 12-5P40	75,300	33,140	109,720	(2) 60	305,540	(2) 10	2800	1676	1600	(2) 1 1/4"	96,320	39-1/4"	9' 8-5/8"	7' 2-1/4"	16' 10-7/8"
eco-ATWB 12-6N40	86,180	38,580	123,320	(2) 40	264,320	(2) 10	2800	2004	1600	(2) 1 1/4"	109,920	47-3/4"	10' 5-1/8"	7' 2-1/4"	17' 7-3/8"
eco-ATWB 12-6O40	86,200	38,590	123,340	(2) 50	281,360	(2) 10	2800	2004	1600	(2) 1 1/4"	109,940	47-3/4"	10' 5-1/8"	7' 2-1/4"	17' 7-3/8"
eco-ATWB 12-6P40	86,600	38,790	123,740	(2) 60	296,090	(2) 10	2800	2004	1600	(2) 1 1/4"	110,340	47-3/4"	10' 5-1/8"	7' 2-1/4"	17' 7-3/8"

† Model Numbers end in "-Z" for units with Series Flow piping configuration. Series Flow units may require additional coil connections and will require crossover piping. Model numbers will include "R" for units with Low Sound Fan(s) and "S" for units with an option that negates CTI certification.

†† Heaviest section is the coil/fan section.

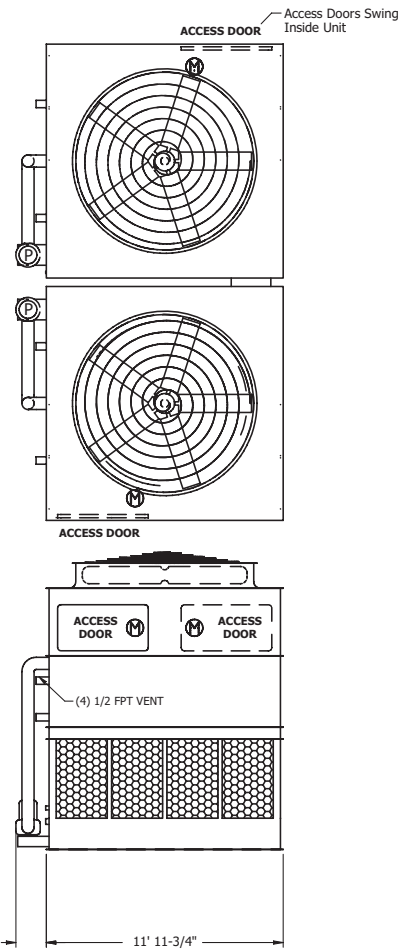
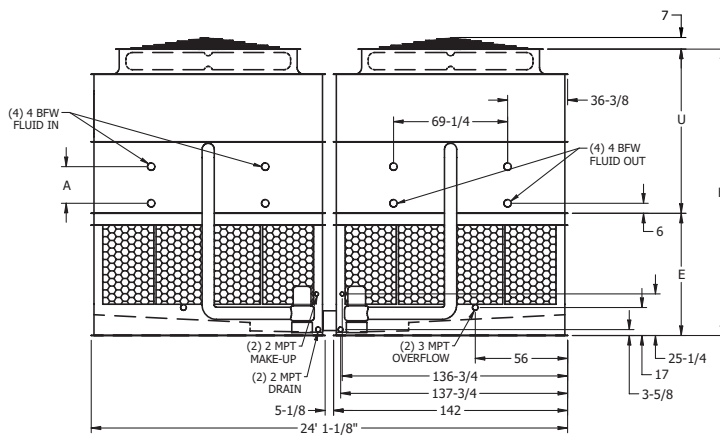
* Gallons shown is water in suspension in unit and piping. Allow for additional water in bottom of remote sump to cover pump suction and strainer during operation (12" would normally be sufficient).

△ When a remote sump arrangement is selected, the spray pump, suction strainer and associated piping are omitted; the unit is provided with an oversized outlet to facilitate drainage to the remote sump.

■ Unit dimensions and coil connections may vary slightly from catalog. See factory certified prints for dimensions, quantity of coil connections, and piping configuration. Coil connections are 4" bevel for weld (BFW). Other connection types such as grooved for mechanical coupling or flanged are also available as options.

eco-ATWB 24-3J12 to 24-6N12

Selections for eco-ATWB Closed Circuit Coolers are available from EVAPCO's **SPECTRUM™** Program. Please contact your local sales representative for more information on the **SPECTRUM™** program.



Note: The number of coil connections doubles when the flow rate exceeds 1,800 GPM on eco-ATW 24x12 models. This required option is referred to as the High Flow coil configuration.

eco-ATWB Model Number†	Weights (lbs)			Fans		Spray Pump		Coil Volume (Gallons)	Remote Sump △			Dimensions ■			
	Shipping	Heaviest Section††	Operating	HP	CFM	HP	GPM		Gallons* Required	Conn. Size	Operating Weight (lbs)	Coil A	Upper U	Lower E	Height H
eco-ATWB 24-3J12	33,900	14,240	51,140	(2) 15	145,000	(2) 5	1600	623	980	(2) 12"	43,240	22-1/4"	8' 3-5/8"	6' 2-1/4"	14' 5-7/8"
eco-ATWB 24-3K12	34,020	14,300	51,260	(2) 20	159,590	(2) 5	1600	623	980	(2) 12"	43,360	22-1/4"	8' 3-5/8"	6' 2-1/4"	14' 5-7/8"
eco-ATWB 24-3L12	34,080	14,330	51,320	(2) 25	170,080	(2) 5	1600	623	980	(2) 12"	43,420	22-1/4"	8' 3-5/8"	6' 2-1/4"	14' 5-7/8"
eco-ATWB 24-3M12	34,180	14,380	51,420	(2) 30	178,990	(2) 5	1600	623	980	(2) 12"	43,520	22-1/4"	8' 3-5/8"	6' 2-1/4"	14' 5-7/8"
eco-ATWB 24-4K12	40,400	17,490	59,280	(2) 20	154,940	(2) 5	1600	818	980	(2) 12"	51,380	30-3/4"	9' 1/8"	6' 2-1/4"	15' 2-3/8"
eco-ATWB 24-4L12	40,460	17,520	59,340	(2) 25	165,130	(2) 5	1600	818	980	(2) 12"	51,440	30-3/4"	9' 1/8"	6' 2-1/4"	15' 2-3/8"
eco-ATWB 24-4M12	40,560	17,570	59,440	(2) 30	173,780	(2) 5	1600	818	980	(2) 12"	51,540	30-3/4"	9' 1/8"	6' 2-1/4"	15' 2-3/8"
eco-ATWB 24-4N12	40,880	17,730	59,760	(2) 40	188,350	(2) 5	1600	818	980	(2) 12"	51,860	30-3/4"	9' 1/8"	6' 2-1/4"	15' 2-3/8"
eco-ATWB 24-5K12	46,460	20,520	66,960	(2) 20	150,290	(2) 5	1600	1013	980	(2) 12"	59,060	39-1/4"	9' 8-5/8"	6' 2-1/4"	15' 10-7/8"
eco-ATWB 24-5L12	46,520	20,550	67,020	(2) 25	160,170	(2) 5	1600	1013	980	(2) 12"	59,120	39-1/4"	9' 8-5/8"	6' 2-1/4"	15' 10-7/8"
eco-ATWB 24-5M12	46,620	20,600	67,120	(2) 30	168,560	(2) 5	1600	1013	980	(2) 12"	59,220	39-1/4"	9' 8-5/8"	6' 2-1/4"	15' 10-7/8"
eco-ATWB 24-5N12	46,940	20,760	67,440	(2) 40	182,700	(2) 5	1600	1013	980	(2) 12"	59,540	39-1/4"	9' 8-5/8"	6' 2-1/4"	15' 10-7/8"
eco-ATWB 24-6L12	52,940	23,760	75,060	(2) 25	155,220	(2) 5	1600	1208	980	(2) 12"	67,160	47-3/4"	10' 5-1/8"	6' 2-1/4"	16' 7-3/8"
eco-ATWB 24-6M12	53,040	23,810	75,160	(2) 30	163,350	(2) 5	1600	1208	980	(2) 12"	67,260	47-3/4"	10' 5-1/8"	6' 2-1/4"	16' 7-3/8"
eco-ATWB 24-6N12	53,360	23,970	75,480	(2) 40	177,050	(2) 5	1600	1208	980	(2) 12"	67,580	47-3/4"	10' 5-1/8"	6' 2-1/4"	16' 7-3/8"

† Model Numbers end in "-Z" for units with Series Flow piping configuration. Series Flow units may require additional coil connections and will require crossover piping. Model numbers will include "R" for units with Low Sound Fan(s) and "S" for units with an option that negates CTI certification.

†† Heaviest section is the coil/fan section.

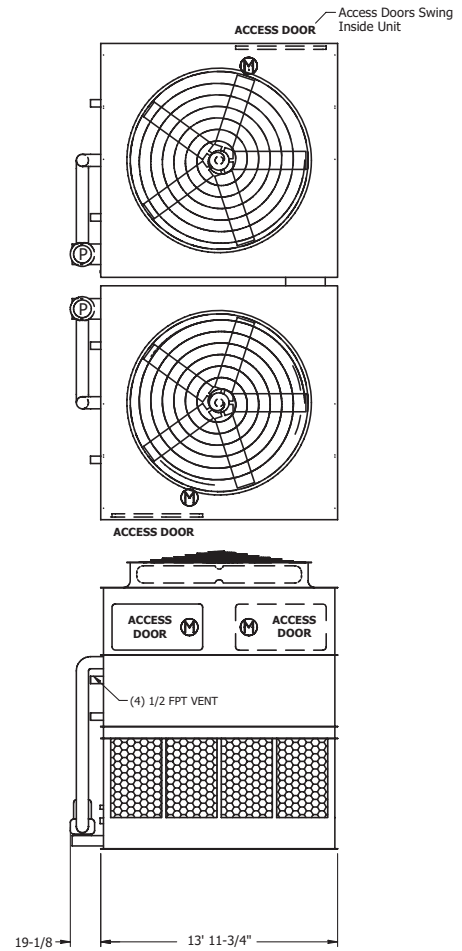
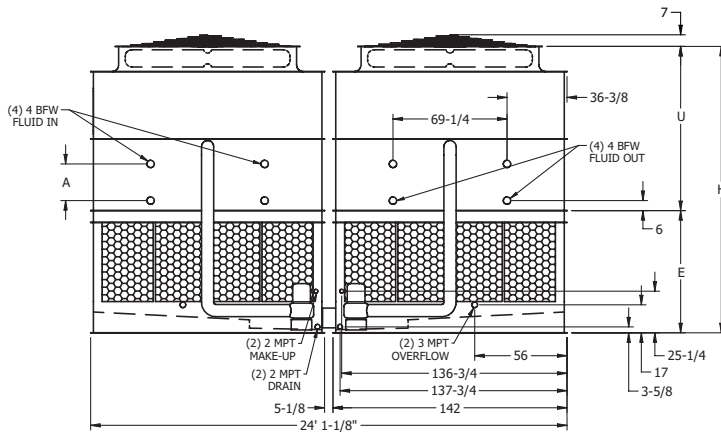
* Gallons shown is water in suspension in unit and piping. Allow for additional water in bottom of remote sump to cover pump suction and strainer during operation (12" would normally be sufficient).

△ When a remote sump arrangement is selected, the spray pump, suction strainer and associated piping are omitted; the unit is provided with an oversized outlet to facilitate drainage to the remote sump.

■ Unit dimensions and coil connections may vary slightly from catalog. See factory certified prints for dimensions, quantity of coil connections, and piping configuration. Coil connections are 4" bevel for weld (BFW). Other connection types such as grooved for mechanical coupling or flanged are also available as options.

eco-ATWB 24-3K14 to 24-6N14

Selections for eco-ATWB Closed Circuit Coolers are available from EVAPCO's **SPECTRUM™** Program. Please contact your local sales representative for more information on the **SPECTRUM™** program.



Note: The number of coil connections doubles when the flow rate exceeds 1,800 GPM on eco-ATW 24x14 models. This required option is referred to as the High Flow coil configuration.

eco-ATWB Model Number†	Weights (lbs)			Fans		Spray Pump		Coil Volume (Gallons)	Remote Sump △			Dimensions ■			
	Shipping	Heaviest Section††	Operating	HP	CFM	HP	GPM		Gallons* Required	Conn. Size	Operating Weight (lbs)	Coil A	Upper U	Lower E	Height H
eco-ATWB 24-3K14	38,640	16,260	58,880	(2) 20	176,900	(2) 5	1800	723	1140	(2) 12"	49,740	22-1/4"	8' 3-5/8"	7' 2-1/4"	15' 5-7/8"
eco-ATWB 24-3L14	38,700	16,290	58,940	(2) 25	190,090	(2) 5	1800	723	1140	(2) 12"	49,800	22-1/4"	8' 3-5/8"	7' 2-1/4"	15' 5-7/8"
eco-ATWB 24-3M14	38,800	16,340	59,040	(2) 30	200,050	(2) 5	1800	723	1140	(2) 12"	49,900	22-1/4"	8' 3-5/8"	7' 2-1/4"	15' 5-7/8"
eco-ATWB 24-3N14	39,120	16,500	59,360	(2) 40	216,830	(2) 5	1800	723	1140	(2) 12"	50,220	22-1/4"	8' 3-5/8"	7' 2-1/4"	15' 5-7/8"
eco-ATWB 24-4K14	46,080	19,980	68,220	(2) 20	171,750	(2) 5	1800	951	1140	(2) 12"	59,080	30-3/4"	9' 1/8"	7' 2-1/4"	16' 2-3/8"
eco-ATWB 24-4L14	46,140	20,010	68,280	(2) 25	184,560	(2) 5	1800	951	1140	(2) 12"	59,140	30-3/4"	9' 1/8"	7' 2-1/4"	16' 2-3/8"
eco-ATWB 24-4M14	46,240	20,060	68,380	(2) 30	194,220	(2) 5	1800	951	1140	(2) 12"	59,240	30-3/4"	9' 1/8"	7' 2-1/4"	16' 2-3/8"
eco-ATWB 24-4N14	46,560	20,220	68,700	(2) 40	210,510	(2) 5	1800	951	1140	(2) 12"	59,560	30-3/4"	9' 1/8"	7' 2-1/4"	16' 2-3/8"
eco-ATWB 24-5L14	53,120	23,500	77,160	(2) 25	179,020	(2) 5	1800	1179	1140	(2) 12"	68,020	39-1/4"	9' 8-5/8"	7' 2-1/4"	16' 10-7/8"
eco-ATWB 24-5M14	53,220	23,550	77,260	(2) 30	188,400	(2) 5	1800	1179	1140	(2) 12"	68,120	39-1/4"	9' 8-5/8"	7' 2-1/4"	16' 10-7/8"
eco-ATWB 24-5N14	53,540	23,710	77,580	(2) 40	204,200	(2) 5	1800	1179	1140	(2) 12"	68,440	39-1/4"	9' 8-5/8"	7' 2-1/4"	16' 10-7/8"
eco-ATWB 24-6L14	61,200	27,540	87,140	(2) 25	173,480	(2) 5	1800	1407	1140	(2) 12"	78,000	47-3/4"	10' 5-1/8"	7' 2-1/4"	17' 7-3/8"
eco-ATWB 24-6M14	61,300	27,590	87,240	(2) 30	182,570	(2) 5	1800	1407	1140	(2) 12"	78,100	47-3/4"	10' 5-1/8"	7' 2-1/4"	17' 7-3/8"
eco-ATWB 24-6N14	61,620	27,750	87,560	(2) 40	197,880	(2) 5	1800	1407	1140	(2) 12"	78,420	47-3/4"	10' 5-1/8"	7' 2-1/4"	17' 7-3/8"

† Model Numbers end in "-Z" for units with Series Flow piping configuration. Series Flow units may require additional coil connections and will require crossover piping. Model numbers will include "R" for units with Low Sound Fan(s) and "S" for units with an option that negates CTI certification.

†† Heaviest section is the coil/fan section.

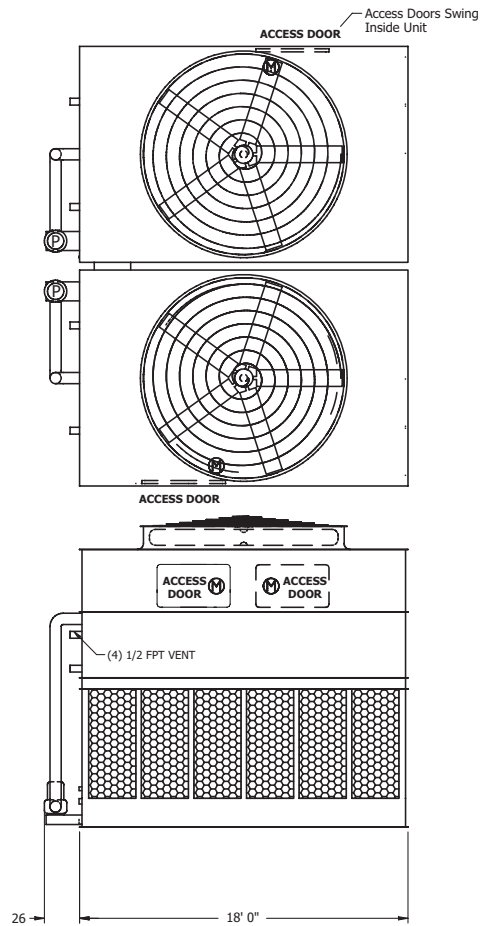
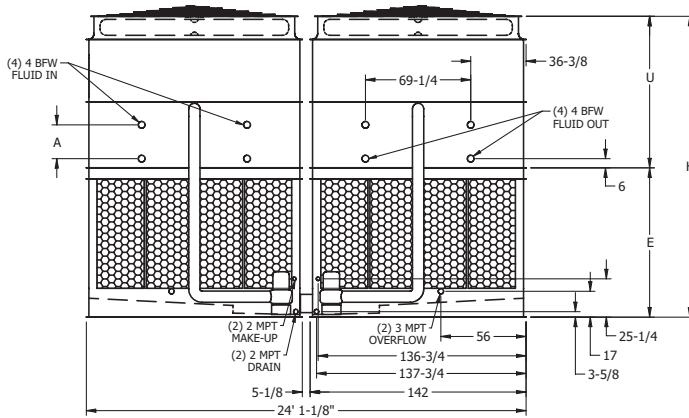
* Gallons shown is water in suspension in unit and piping. Allow for additional water in bottom of remote sump to cover pump suction and strainer during operation (12" would normally be sufficient).

△ When a remote sump arrangement is selected, the spray pump, suction strainer and associated piping are omitted; the unit is provided with an oversized outlet to facilitate drainage to the remote sump.

■ Unit dimensions and coil connections may vary slightly from catalog. See factory certified prints for dimensions, quantity of coil connections, and piping configuration. Coil connections are 4" bevel for weld (BFW). Other connection types such as grooved for mechanical coupling or flanged are also available as options.

eco-ATWB 24-3K18 to 24-6P18

Selections for eco-ATWB Closed Circuit Coolers are available from EVAPCO's **SPECTRUM™** Program. Please contact your local sales representative for more information on the **SPECTRUM™** program.



Note: The number of coil connections doubles when the flow rate exceeds 1,800 GPM on eco-ATW 24x18 models. This required option is referred to as the High Flow coil configuration.

eco-ATWB Model Number†	Weights (lbs)			Fans		Spray Pump		Coil Volume (Gallons)	Remote Sump △			Dimensions ■			
	Shipping	Heaviest Section††	Operating	HP	CFM	HP	GPM		Gallons* Required	Conn. Size	Operating Weight (lbs)	Coil A	Upper U	Lower E	Height H
eco-ATWB 24-3K18	48,600	20,380	74,480	(2) 20	216,080	(2) 7.5	2400	922	1440	(2) 12"	62,740	22-1/4"	8' 3-5/8"	8' 2-1/4"	16' 5-7/8"
eco-ATWB 24-3L18	48,660	20,410	74,540	(2) 25	232,770	(2) 7.5	2400	922	1440	(2) 12"	62,800	22-1/4"	8' 3-5/8"	8' 2-1/4"	16' 5-7/8"
eco-ATWB 24-3M18	48,760	20,460	74,640	(2) 30	247,350	(2) 7.5	2400	922	1440	(2) 12"	62,900	22-1/4"	8' 3-5/8"	8' 2-1/4"	16' 5-7/8"
eco-ATWB 24-3N18	49,080	20,620	74,960	(2) 40	268,450	(2) 7.5	2400	922	1440	(2) 12"	63,220	22-1/4"	8' 3-5/8"	8' 2-1/4"	16' 5-7/8"
eco-ATWB 24-4K18	58,120	25,140	86,460	(2) 20	209,790	(2) 7.5	2400	1216	1440	(2) 12"	74,720	30-3/4"	9' 1/8"	8' 2-1/4"	17' 2-3/8"
eco-ATWB 24-4L18	58,180	25,170	86,520	(2) 25	225,990	(2) 7.5	2400	1216	1440	(2) 12"	74,780	30-3/4"	9' 1/8"	8' 2-1/4"	17' 2-3/8"
eco-ATWB 24-4M18	58,280	25,220	86,620	(2) 30	240,150	(2) 7.5	2400	1216	1440	(2) 12"	74,880	30-3/4"	9' 1/8"	8' 2-1/4"	17' 2-3/8"
eco-ATWB 24-4N18	58,600	25,380	86,940	(2) 40	260,630	(2) 7.5	2400	1216	1440	(2) 12"	75,200	30-3/4"	9' 1/8"	8' 2-1/4"	17' 2-3/8"
eco-ATWB 24-4O18	58,620	25,390	86,960	(2) 50	277,440	(2) 7.5	2400	1216	1440	(2) 12"	75,220	30-3/4"	9' 1/8"	8' 2-1/4"	17' 2-3/8"
eco-ATWB 24-5L18	67,380	29,770	98,160	(2) 25	219,210	(2) 7.5	2400	1510	1440	(2) 12"	86,420	39-1/4"	9' 8-5/8"	8' 2-1/4"	17' 10-7/8"
eco-ATWB 24-5M18	67,480	29,820	98,260	(2) 30	232,940	(2) 7.5	2400	1510	1440	(2) 12"	86,520	39-1/4"	9' 8-5/8"	8' 2-1/4"	17' 10-7/8"
eco-ATWB 24-5N18	67,800	29,980	98,580	(2) 40	252,810	(2) 7.5	2400	1510	1440	(2) 12"	86,840	39-1/4"	9' 8-5/8"	8' 2-1/4"	17' 10-7/8"
eco-ATWB 24-5O18	67,820	29,990	98,600	(2) 50	269,110	(2) 7.5	2400	1510	1440	(2) 12"	86,860	39-1/4"	9' 8-5/8"	8' 2-1/4"	17' 10-7/8"
eco-ATWB 24-6M18	76,780	34,470	110,020	(2) 30	225,740	(2) 7.5	2400	1805	1440	(2) 12"	98,280	47-3/4"	10' 5-1/8"	8' 2-1/4"	18' 7-3/8"
eco-ATWB 24-6N18	77,100	34,630	110,340	(2) 40	244,990	(2) 7.5	2400	1805	1440	(2) 12"	98,600	47-3/4"	10' 5-1/8"	8' 2-1/4"	18' 7-3/8"
eco-ATWB 24-6O18	77,120	34,640	110,360	(2) 50	260,790	(2) 7.5	2400	1805	1440	(2) 12"	98,620	47-3/4"	10' 5-1/8"	8' 2-1/4"	18' 7-3/8"
eco-ATWB 24-6P18	77,520	34,840	110,760	(2) 60	274,450	(2) 7.5	2400	1805	1440	(2) 12"	99,020	47-3/4"	10' 5-1/8"	8' 2-1/4"	18' 7-3/8"

† Model Numbers end in "-Z" for units with Series Flow piping configuration. Series Flow units may require additional coil connections and will require crossover piping. Model numbers will include "R" for units with Low Sound Fan(s) and "S" for units with an option that negates CTI certification.

†† Heaviest section is the coil/fan section.

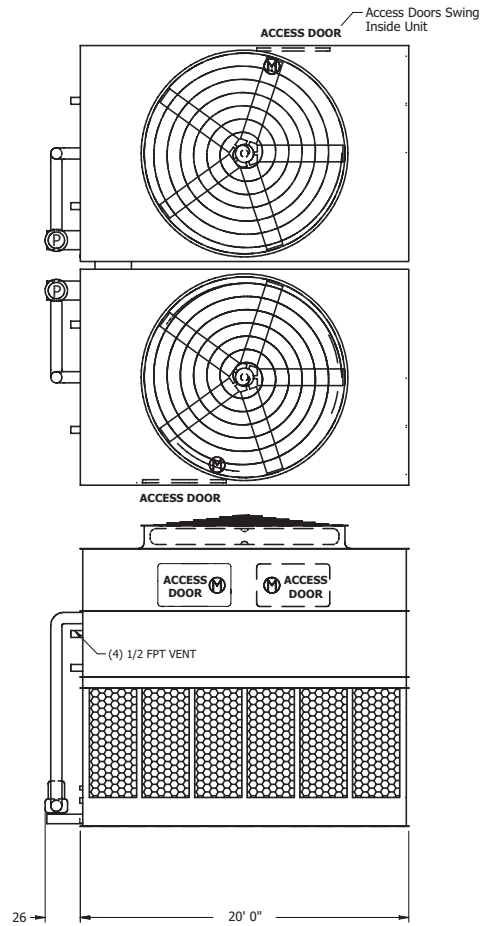
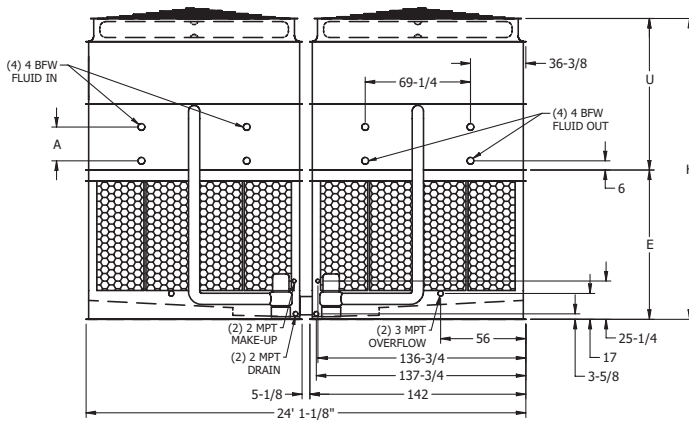
* Gallons shown is water in suspension in unit and piping. Allow for additional water in bottom of remote sump to cover pump suction and strainer during operation (12" would normally be sufficient).

△ When a remote sump arrangement is selected, the spray pump, suction strainer and associated piping are omitted; the unit is provided with an oversized outlet to facilitate drainage to the remote sump.

■ Unit dimensions and coil connections may vary slightly from catalog. See factory certified prints for dimensions, quantity of coil connections, and piping configuration. Coil connections are 4" bevel for weld (BFW). Other connection types such as grooved for mechanical coupling or flanged are also available as options.

eco-ATWB 24-3L20 to 24-6P20 C

Selections for eco-ATWB Closed Circuit Coolers are available from EVAPCO's **SPECTRUM™** Program. Please contact your local sales representative for more information on the **SPECTRUM™** program.



Note: The number of coil connections doubles when the flow rate exceeds 1,800 GPM on eco-ATW 24x20 models. This required option is referred to as the High Flow coil configuration.

eco-ATWB Model Number†	Weights (lbs)			Fans		Spray Pump		Coil Volume (Gallons)	Remote Sump △			Dimensions ■			
	Shipping	Heaviest Section††	Operating	HP	CFM	HP	GPM		Gallons* Required	Conn. Size	Operating Weight (lbs)	Coil A	Upper U	Lower E	Height H
eco-ATWB 24-3L20	53,740	22,360	82,680	(2) 25	249,720	(2) 10	2800	1021	1600	(2) 14"	69,280	22-1/4"	8' 3-5/8"	8' 2-1/4"	16' 5-7/8"
eco-ATWB 24-3M20	53,840	22,410	82,780	(2) 30	265,370	(2) 10	2800	1021	1600	(2) 14"	69,380	22-1/4"	8' 3-5/8"	8' 2-1/4"	16' 5-7/8"
eco-ATWB 24-3N20	54,160	22,570	83,100	(2) 40	289,620	(2) 10	2800	1021	1600	(2) 14"	69,700	22-1/4"	8' 3-5/8"	8' 2-1/4"	16' 5-7/8"
eco-ATWB 24-3O20	54,180	22,580	83,120	(2) 50	308,300	(2) 10	2800	1021	1600	(2) 14"	69,720	22-1/4"	8' 3-5/8"	8' 2-1/4"	16' 5-7/8"
eco-ATWB 24-4L20	64,220	27,600	95,900	(2) 25	242,450	(2) 10	2800	1349	1600	(2) 14"	82,500	30-3/4"	9' 1/8"	8' 2-1/4"	17' 2-3/8"
eco-ATWB 24-4M20	64,320	27,650	96,000	(2) 30	257,640	(2) 10	2800	1349	1600	(2) 14"	82,600	30-3/4"	9' 1/8"	8' 2-1/4"	17' 2-3/8"
eco-ATWB 24-4N20	64,640	27,810	96,320	(2) 40	281,190	(2) 10	2800	1349	1600	(2) 14"	82,920	30-3/4"	9' 1/8"	8' 2-1/4"	17' 2-3/8"
eco-ATWB 24-4O20	64,660	27,820	96,340	(2) 50	299,320	(2) 10	2800	1349	1600	(2) 14"	82,940	30-3/4"	9' 1/8"	8' 2-1/4"	17' 2-3/8"
eco-ATWB 24-5M20	74,560	32,770	108,980	(2) 30	249,910	(2) 10	2800	1676	1600	(2) 14"	95,580	39-1/4"	9' 8-5/8"	8' 2-1/4"	17' 10-7/8"
eco-ATWB 24-5N20	74,880	32,930	109,300	(2) 40	272,750	(2) 10	2800	1676	1600	(2) 14"	95,900	39-1/4"	9' 8-5/8"	8' 2-1/4"	17' 10-7/8"
eco-ATWB 24-5O20	74,900	32,940	109,320	(2) 50	290,340	(2) 10	2800	1676	1600	(2) 14"	95,920	39-1/4"	9' 8-5/8"	8' 2-1/4"	17' 10-7/8"
eco-ATWB 24-5P20	75,300	33,140	109,720	(2) 60	305,540	(2) 10	2800	1676	1600	(2) 14"	96,320	39-1/4"	9' 8-5/8"	8' 2-1/4"	17' 10-7/8"
eco-ATWB 24-6N20	86,180	38,580	123,320	(2) 40	264,320	(2) 10	2800	2004	1600	(2) 14"	109,920	47-3/4"	10' 5-1/8"	8' 2-1/4"	18' 7-3/8"
eco-ATWB 24-6O20	86,200	38,590	123,340	(2) 50	281,360	(2) 10	2800	2004	1600	(2) 14"	109,940	47-3/4"	10' 5-1/8"	8' 2-1/4"	18' 7-3/8"
eco-ATWB 24-6P20	86,600	38,790	123,740	(2) 60	296,090	(2) 10	2800	2004	1600	(2) 14"	110,340	47-3/4"	10' 5-1/8"	8' 2-1/4"	18' 7-3/8"

† Model Numbers end in "-Z" for units with Series Flow piping configuration. Series Flow units may require additional coil connections and will require crossover piping. Model numbers will include "R" for units with Low Sound Fan(s) and "S" for units with an option that negates CTI certification.

†† Heaviest section is the coil/fan section.

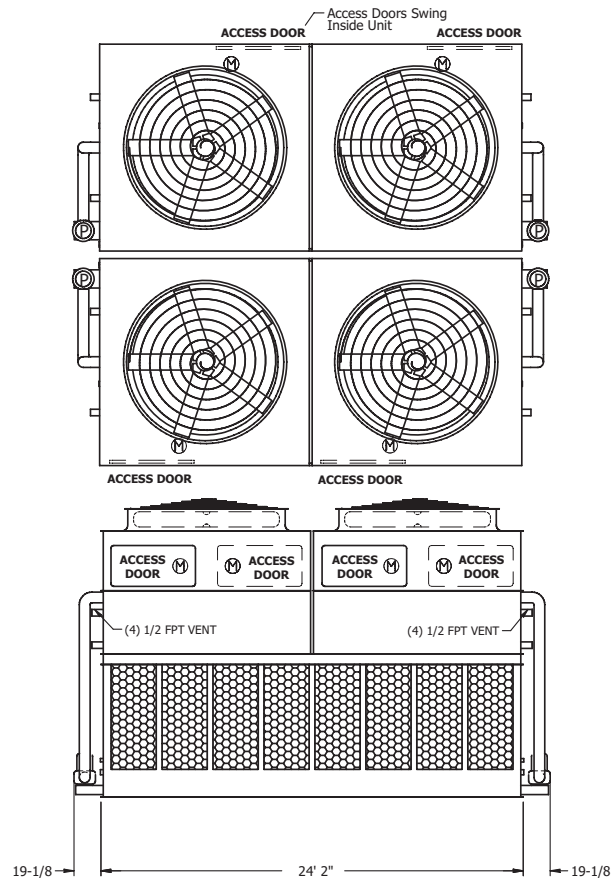
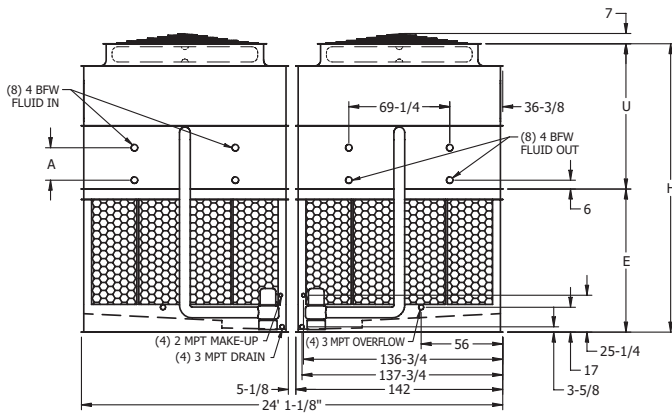
* Gallons shown is water in suspension in unit and piping. Allow for additional water in bottom of remote sump to cover pump suction and strainer during operation (12" would normally be sufficient).

△ When a remote sump arrangement is selected, the spray pump, suction strainer and associated piping are omitted; the unit is provided with an oversized outlet to facilitate drainage to the remote sump.

■ Unit dimensions and coil connections may vary slightly from catalog. See factory certified prints for dimensions, quantity of coil connections, and piping configuration. Coil connections are 4" bevel for weld (BFW). Other connection types such as grooved for mechanical coupling or flanged are also available as options.

eco-ATWB 24-3J24 to 24-6N24

Selections for eco-ATWB Closed Circuit Coolers are available from EVAPCO's **SPECTRUM™** Program. Please contact your local sales representative for more information on the **SPECTRUM™** program.



Note: The number of coil connections doubles when the flow rate exceeds 3,600 GPM on eco-ATW 24x24 models. This required option is referred to as the High Flow coil configuration.

eco-ATWB Model Number†	Weights (lbs)			Fans		Spray Pump		Coil Volume (Gallons)	Remote Sump △			Dimensions ■			
	Shipping	Heaviest Section††	Operating	HP	CFM	HP	GPM		Gallons* Required	Conn. Size	Operating Weight (lbs)	Coil A	Upper U	Lower E	Height H
eco-ATWB 24-3J24	68,140	14,240	102,640	(4) 15	289,990	(4) 5	3200	1246	1960	(4) 12"	86,580	22-1/4"	8' 3-5/8"	8' 2-1/4"	16' 5-7/8"
eco-ATWB 24-3K24	68,380	14,300	102,880	(4) 20	319,180	(4) 5	3200	1246	1960	(4) 12"	86,820	22-1/4"	8' 3-5/8"	8' 2-1/4"	16' 5-7/8"
eco-ATWB 24-3L24	68,500	14,330	103,000	(4) 25	340,160	(4) 5	3200	1246	1960	(4) 12"	86,940	22-1/4"	8' 3-5/8"	8' 2-1/4"	16' 5-7/8"
eco-ATWB 24-3M24	68,700	14,380	103,200	(4) 30	357,980	(4) 5	3200	1246	1960	(4) 12"	87,140	22-1/4"	8' 3-5/8"	8' 2-1/4"	16' 5-7/8"
eco-ATWB 24-4J24	80,900	17,430	118,680	(4) 15	281,550	(4) 5	3200	1636	1960	(4) 12"	102,620	30-3/4"	9' 1/8"	8' 2-1/4"	17' 2-3/8"
eco-ATWB 24-4K24	81,140	17,490	118,920	(4) 20	309,880	(4) 5	3200	1636	1960	(4) 12"	102,860	30-3/4"	9' 1/8"	8' 2-1/4"	17' 2-3/8"
eco-ATWB 24-4L24	81,260	17,520	119,040	(4) 25	330,250	(4) 5	3200	1636	1960	(4) 12"	102,980	30-3/4"	9' 1/8"	8' 2-1/4"	17' 2-3/8"
eco-ATWB 24-4M24	81,460	17,570	119,240	(4) 30	347,550	(4) 5	3200	1636	1960	(4) 12"	103,180	30-3/4"	9' 1/8"	8' 2-1/4"	17' 2-3/8"
eco-ATWB 24-4N24	82,100	17,730	119,880	(4) 40	376,710	(4) 5	3200	1636	1960	(4) 12"	103,820	30-3/4"	9' 1/8"	8' 2-1/4"	17' 2-3/8"
eco-ATWB 24-5K24	93,260	20,520	134,280	(4) 20	300,580	(4) 5	3200	2026	1960	(4) 12"	118,220	39-1/4"	9' 8-5/8"	8' 2-1/4"	17' 10-7/8"
eco-ATWB 24-5L24	93,380	20,550	134,400	(4) 25	320,350	(4) 5	3200	2026	1960	(4) 12"	118,340	39-1/4"	9' 8-5/8"	8' 2-1/4"	17' 10-7/8"
eco-ATWB 24-5M24	93,580	20,600	134,600	(4) 30	337,130	(4) 5	3200	2026	1960	(4) 12"	118,540	39-1/4"	9' 8-5/8"	8' 2-1/4"	17' 10-7/8"
eco-ATWB 24-5N24	94,220	20,760	135,240	(4) 40	365,400	(4) 5	3200	2026	1960	(4) 12"	119,180	39-1/4"	9' 8-5/8"	8' 2-1/4"	17' 10-7/8"
eco-ATWB 24-6L24	106,220	23,760	150,480	(4) 25	310,440	(4) 5	3200	2415	1960	(4) 12"	134,420	47-3/4"	10' 5-1/8"	8' 2-1/4"	18' 7-3/8"
eco-ATWB 24-6M24	106,420	23,810	150,680	(4) 30	326,700	(4) 5	3200	2415	1960	(4) 12"	134,620	47-3/4"	10' 5-1/8"	8' 2-1/4"	18' 7-3/8"
eco-ATWB 24-6N24	107,060	23,970	151,320	(4) 40	354,100	(4) 5	3200	2415	1960	(4) 12"	135,260	47-3/4"	10' 5-1/8"	8' 2-1/4"	18' 7-3/8"

† Model Numbers end in "-Z" for units with Series Flow piping configuration. Series Flow units may require additional coil connections and will require crossover piping. Model numbers will include "R" for units with Low Sound Fan(s) and "S" for units with an option that negates CTI certification.

†† Heaviest section is the coil/fan section.

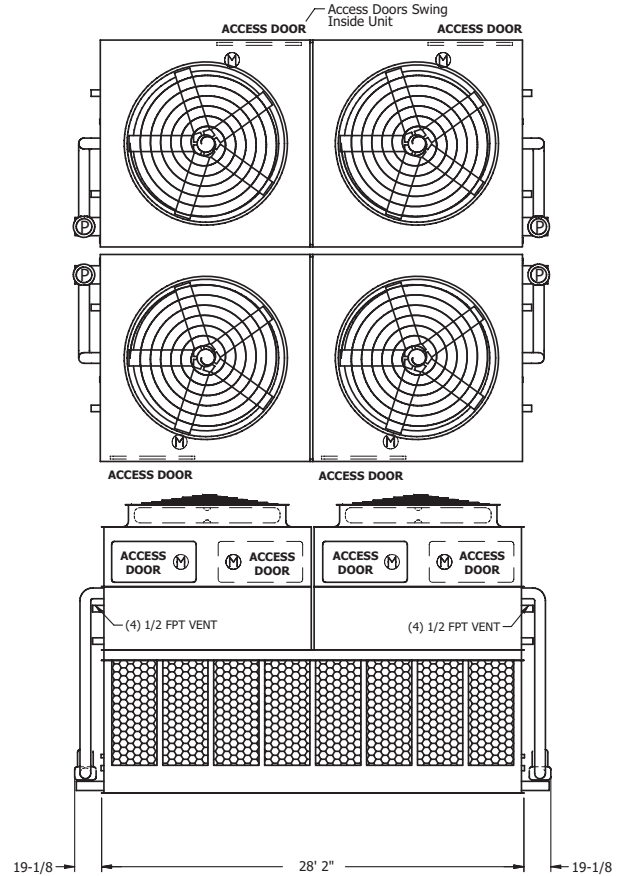
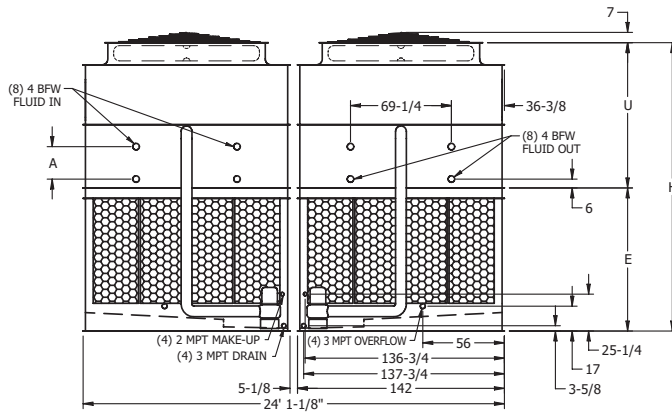
* Gallons shown is water in suspension in unit and piping. Allow for additional water in bottom of remote sump to cover pump suction and strainer during operation (12" would normally be sufficient).

△ When a remote sump arrangement is selected, the spray pump, suction strainer and associated piping are omitted; the unit is provided with an oversized outlet to facilitate drainage to the remote sump.

■ Unit dimensions and coil connections may vary slightly from catalog. See factory certified prints for dimensions, quantity of coil connections, and piping configuration. Coil connections are 4" bevel for weld (BFW). Other connection types such as grooved for mechanical coupling or flanged are also available as options.

eco-ATWB 24-3K28 to 24-6N28

Selections for eco-ATWB Closed Circuit Coolers are available from EVAPCO's **SPECTRUM™** Program. Please contact your local sales representative for more information on the **SPECTRUM™** program.



Note: The number of coil connections doubles when the flow rate exceeds 3,600 GPM on eco-ATW 24x28 models. This required option is referred to as the High Flow coil configuration.

eco-ATWB Model Number†	Weights (lbs)			Fans		Spray Pump		Coil Volume (Gallons)	Remote Sump [△]			Dimensions [■]			
	Shipping	Heaviest Section††	Operating	HP	CFM	HP	GPM		Gallons* Required	Conn. Size	Operating Weight (lbs)	Coil A	Upper U	Lower E	Height H
eco-ATWB 24-3K28	77,480	16,260	118,100	(4) 20	353,800	(4) 5	3600	1445	2280	(4) 12"	99,540	22-1/4"	8' 3-5/8"	8' 2-1/4"	16' 5-7/8"
eco-ATWB 24-3L28	77,600	16,290	118,220	(4) 25	380,180	(4) 5	3600	1445	2280	(4) 12"	99,660	22-1/4"	8' 3-5/8"	8' 2-1/4"	16' 5-7/8"
eco-ATWB 24-3M28	77,800	16,340	118,420	(4) 30	400,100	(4) 5	3600	1445	2280	(4) 12"	99,860	22-1/4"	8' 3-5/8"	8' 2-1/4"	16' 5-7/8"
eco-ATWB 24-3N28	78,440	16,500	119,060	(4) 40	433,660	(4) 5	3600	1445	2280	(4) 12"	100,500	22-1/4"	8' 3-5/8"	8' 2-1/4"	16' 5-7/8"
eco-ATWB 24-4K28	92,360	19,980	136,780	(4) 20	343,500	(4) 5	3600	1901	2280	(4) 12"	118,220	30-3/4"	9' 1/8"	8' 2-1/4"	17' 2-3/8"
eco-ATWB 24-4L28	92,480	20,010	136,900	(4) 25	369,110	(4) 5	3600	1901	2280	(4) 12"	118,340	30-3/4"	9' 1/8"	8' 2-1/4"	17' 2-3/8"
eco-ATWB 24-4M28	92,680	20,060	137,100	(4) 30	388,440	(4) 5	3600	1901	2280	(4) 12"	118,540	30-3/4"	9' 1/8"	8' 2-1/4"	17' 2-3/8"
eco-ATWB 24-4N28	93,320	20,220	137,740	(4) 40	421,030	(4) 5	3600	1901	2280	(4) 12"	119,180	30-3/4"	9' 1/8"	8' 2-1/4"	17' 2-3/8"
eco-ATWB 24-5L28	106,440	23,500	154,660	(4) 25	358,040	(4) 5	3600	2357	2280	(4) 12"	136,100	39-1/4"	9' 8-5/8"	8' 2-1/4"	17' 10-7/8"
eco-ATWB 24-5M28	106,640	23,550	154,860	(4) 30	376,790	(4) 5	3600	2357	2280	(4) 12"	136,300	39-1/4"	9' 8-5/8"	8' 2-1/4"	17' 10-7/8"
eco-ATWB 24-5N28	107,280	23,710	155,500	(4) 40	408,400	(4) 5	3600	2357	2280	(4) 12"	136,940	39-1/4"	9' 8-5/8"	8' 2-1/4"	17' 10-7/8"
eco-ATWB 24-6L28	122,600	27,540	174,620	(4) 25	346,960	(4) 5	3600	2813	2280	(4) 12"	156,060	47-3/4"	10' 5-1/8"	8' 2-1/4"	18' 7-3/8"
eco-ATWB 24-6M28	122,800	27,590	174,820	(4) 30	365,140	(4) 5	3600	2813	2280	(4) 12"	156,260	47-3/4"	10' 5-1/8"	8' 2-1/4"	18' 7-3/8"
eco-ATWB 24-6N28	123,440	27,750	175,460	(4) 40	395,770	(4) 5	3600	2813	2280	(4) 12"	156,900	47-3/4"	10' 5-1/8"	8' 2-1/4"	18' 7-3/8"

† Model Numbers end in "-Z" for units with Series Flow piping configuration. Series Flow units require crossover piping. Model numbers will include "R" for units with Low Sound Fan(s) and "S" for units with an option that negates CTI certification.

†† Heaviest section is the coil/fan section.

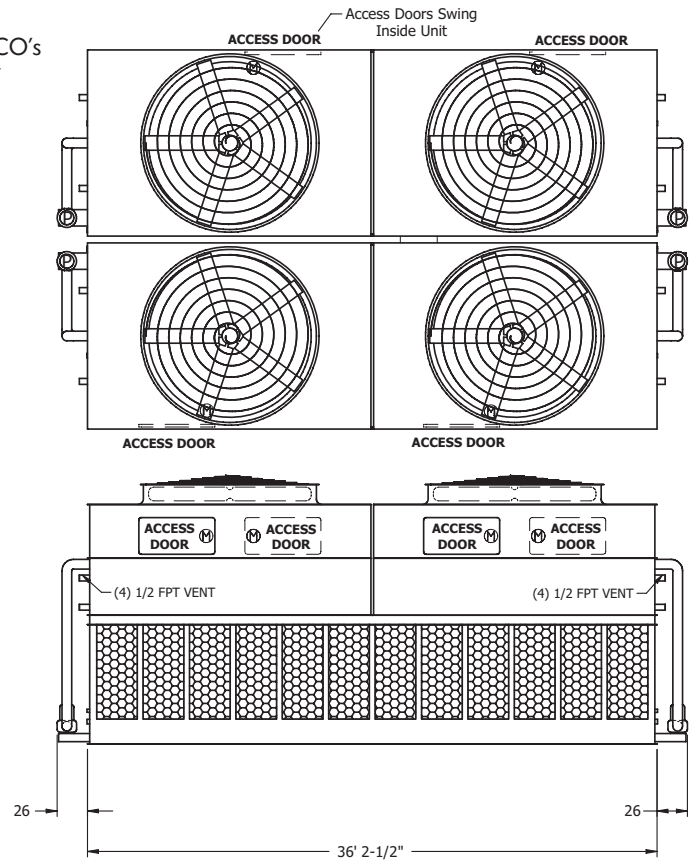
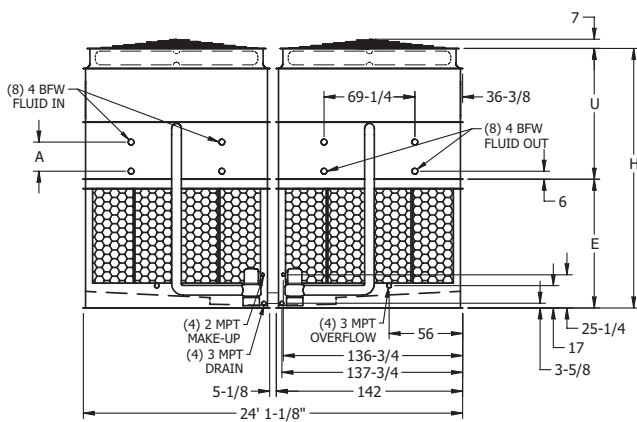
* Gallons shown is water in suspension in unit and piping. Allow for additional water in bottom of remote sump to cover pump suction and strainer during operation (12" would normally be sufficient).

△ When a remote sump arrangement is selected, the spray pump, suction strainer and associated piping are omitted; the unit is provided with an oversized outlet to facilitate drainage to the remote sump.

■ Unit dimensions and coil connections may vary slightly from catalog. See factory certified prints for dimensions, quantity of coil connections, and piping configuration. Coil connections are 4" bevel for weld (BFW). Other connection types such as grooved for mechanical coupling or flanged are also available as options.

eco-ATWB 24-3K36 to 24-6P36

Selections for eco-ATWB Closed Circuit Coolers are available from EVAPCO's **SPECTRUM™** Program. Please contact your local sales representative for more information on the **SPECTRUM™** program.



Note: The number of coil connections doubles when the flow rate exceeds 3,600 GPM on eco-ATW 24x36 models. This required option is referred to as the High Flow coil configuration.

eco-ATWB Model Number†	Weights (lbs)			Fans		Spray Pump		Coil Volume (Gallons)	Remote Sump [△]			Dimensions [■]			
	Shipping	Heaviest Section††	Operating	HP	CFM	HP	GPM		Gallons* Required	Conn. Size	Operating Weight (lbs)	Coil A	Upper U	Lower E	Height H
eco-ATWB 24-3K36	97,800	20,380	149,760	(4) 20	418,800	(4) 7.5	4800	1843	2880	(4) 12"	125,980	22-1/4"	8' 3-5/8"	8' 2-1/4"	16' 5-7/8"
eco-ATWB 24-3L36	97,920	20,410	149,880	(4) 25	451,140	(4) 7.5	4800	1843	2880	(4) 12"	126,100	22-1/4"	8' 3-5/8"	8' 2-1/4"	16' 5-7/8"
eco-ATWB 24-3M36	98,120	20,460	150,080	(4) 30	479,400	(4) 7.5	4800	1843	2880	(4) 12"	126,300	22-1/4"	8' 3-5/8"	8' 2-1/4"	16' 5-7/8"
eco-ATWB 24-3N36	98,760	20,620	150,720	(4) 40	520,300	(4) 7.5	4800	1843	2880	(4) 12"	126,940	22-1/4"	8' 3-5/8"	8' 2-1/4"	16' 5-7/8"
eco-ATWB 24-4K36	116,840	25,140	173,720	(4) 20	406,610	(4) 7.5	4800	2432	2880	(4) 12"	149,940	30-3/4"	9' 1/8"	8' 2-1/4"	17' 2-3/8"
eco-ATWB 24-4L36	116,960	25,170	173,840	(4) 25	438,000	(4) 7.5	4800	2432	2880	(4) 12"	150,060	30-3/4"	9' 1/8"	8' 2-1/4"	17' 2-3/8"
eco-ATWB 24-4M36	117,160	25,220	174,040	(4) 30	465,440	(4) 7.5	4800	2432	2880	(4) 12"	150,260	30-3/4"	9' 1/8"	8' 2-1/4"	17' 2-3/8"
eco-ATWB 24-4N36	117,800	25,380	174,680	(4) 40	505,140	(4) 7.5	4800	2432	2880	(4) 12"	150,900	30-3/4"	9' 1/8"	8' 2-1/4"	17' 2-3/8"
eco-ATWB 24-5L36	135,360	29,770	197,120	(4) 25	424,860	(4) 7.5	4800	3021	2880	(4) 12"	173,340	39-1/4"	9' 8-5/8"	8' 2-1/4"	17' 10-7/8"
eco-ATWB 24-5M36	135,560	29,820	197,320	(4) 30	451,480	(4) 7.5	4800	3021	2880	(4) 12"	173,540	39-1/4"	9' 8-5/8"	8' 2-1/4"	17' 10-7/8"
eco-ATWB 24-5N36	136,200	29,980	197,960	(4) 40	489,990	(4) 7.5	4800	3021	2880	(4) 12"	174,180	39-1/4"	9' 8-5/8"	8' 2-1/4"	17' 10-7/8"
eco-ATWB 24-5O36	136,240	29,990	198,000	(4) 50	521,580	(4) 7.5	4800	3021	2880	(4) 12"	174,220	39-1/4"	9' 8-5/8"	8' 2-1/4"	17' 10-7/8"
eco-ATWB 24-6M36	154,160	34,470	220,840	(4) 30	437,510	(4) 7.5	4800	3609	2880	(4) 12"	197,060	47-3/4"	10' 5-1/8"	8' 2-1/4"	18' 7-3/8"
eco-ATWB 24-6N36	154,800	34,630	221,480	(4) 40	474,830	(4) 7.5	4800	3609	2880	(4) 12"	197,700	47-3/4"	10' 5-1/8"	8' 2-1/4"	18' 7-3/8"
eco-ATWB 24-6O36	154,840	34,640	221,520	(4) 50	505,450	(4) 7.5	4800	3609	2880	(4) 12"	197,740	47-3/4"	10' 5-1/8"	8' 2-1/4"	18' 7-3/8"
eco-ATWB 24-6P36	155,640	34,840	222,320	(4) 60	531,920	(4) 7.5	4800	3609	2880	(4) 12"	198,540	47-3/4"	10' 5-1/8"	8' 2-1/4"	18' 7-3/8"

† Model Numbers end in "-Z" for units with Series Flow piping configuration. Series Flow units may require additional coil connections and will require crossover piping. Model numbers will include "R" for units with Low Sound Fan(s) and "S" for units with an option that negates CTI certification.

†† Heaviest section is the coil/fan section.

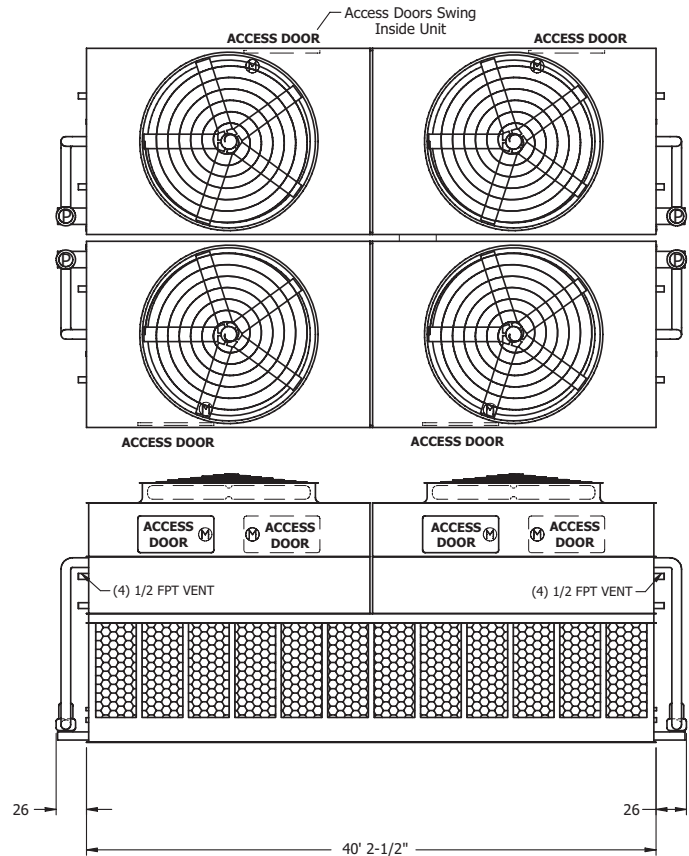
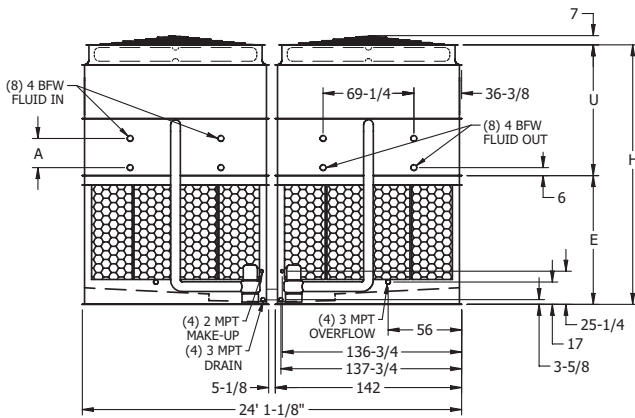
* Gallons shown is water in suspension in unit and piping. Allow for additional water in bottom of remote sump to cover pump suction and strainer during operation (12" would normally be sufficient).

△ When a remote sump arrangement is selected, the spray pump, suction strainer and associated piping are omitted; the unit is provided with an oversized outlet to facilitate drainage to the remote sump.

■ Unit dimensions and coil connections may vary slightly from catalog. See factory certified prints for dimensions, quantity of coil connections, and piping configuration. Coil connections are 4" bevel for weld (BFW). Other connection types such as grooved for mechanical coupling or flanged are also available as options.

eco-ATWB 24-3L40 to 24-6P40

Selections for eco-ATWB Closed Circuit Coolers are available from EVAPCO's **SPECTRUM™** Program. Please contact your local sales representative for more information on the **SPECTRUM™** program.



Note: The number of coil connections doubles when the flow rate exceeds 3,600 GPM on eco-ATC 24x40 models. This required option is referred to as the High Flow coil configuration.

eco-ATWB Model Number†	Weights (lbs)			Fans		Spray Pump		Coil Volume (Gallons)	Remote Sump △			Dimensions ■			
	Shipping	Heaviest Section††	Operating	HP	CFM	HP	GPM		Gallons* Required	Conn. Size	Operating Weight (lbs)	Coil A	Upper U	Lower E	Height H
eco-ATWB 24-3L40	107,580	22,360	165,640	(4) 25	499,440	(4) 10	5600	2042	3200	(4) 14"	138,540	22-1/4"	8' 3-5/8"	8' 2-1/4"	16' 5-7/8"
eco-ATWB 24-3M40	107,780	22,410	165,840	(4) 30	530,730	(4) 10	5600	2042	3200	(4) 14"	138,740	22-1/4"	8' 3-5/8"	8' 2-1/4"	16' 5-7/8"
eco-ATWB 24-3N40	108,420	22,570	166,480	(4) 40	579,250	(4) 10	5600	2042	3200	(4) 14"	139,380	22-1/4"	8' 3-5/8"	8' 2-1/4"	16' 5-7/8"
eco-ATWB 24-3O40	108,460	22,580	166,520	(4) 50	616,590	(4) 10	5600	2042	3200	(4) 14"	139,420	22-1/4"	8' 3-5/8"	8' 2-1/4"	16' 5-7/8"
eco-ATWB 24-4L40	128,540	27,600	192,080	(4) 25	484,890	(4) 10	5600	2697	3200	(4) 14"	164,980	30-3/4"	9' 1/8"	8' 2-1/4"	17' 2-3/8"
eco-ATWB 24-4M40	128,740	27,650	192,280	(4) 30	515,270	(4) 10	5600	2697	3200	(4) 14"	165,180	30-3/4"	9' 1/8"	8' 2-1/4"	17' 2-3/8"
eco-ATWB 24-4N40	129,380	27,810	192,920	(4) 40	562,380	(4) 10	5600	2697	3200	(4) 14"	165,820	30-3/4"	9' 1/8"	8' 2-1/4"	17' 2-3/8"
eco-ATWB 24-4O40	129,420	27,820	192,960	(4) 50	598,640	(4) 10	5600	2697	3200	(4) 14"	165,860	30-3/4"	9' 1/8"	8' 2-1/4"	17' 2-3/8"
eco-ATWB 24-5M40	149,220	32,770	218,240	(4) 30	499,820	(4) 10	5600	3352	3200	(4) 14"	191,140	39-1/4"	9' 8-5/8"	8' 2-1/4"	17' 10-7/8"
eco-ATWB 24-5N40	149,860	32,930	218,880	(4) 40	545,510	(4) 10	5600	3352	3200	(4) 14"	191,780	39-1/4"	9' 8-5/8"	8' 2-1/4"	17' 10-7/8"
eco-ATWB 24-5O40	149,900	32,940	218,920	(4) 50	580,680	(4) 10	5600	3352	3200	(4) 14"	191,820	39-1/4"	9' 8-5/8"	8' 2-1/4"	17' 10-7/8"
eco-ATWB 24-5P40	150,700	33,140	219,720	(4) 60	611,090	(4) 10	5600	3352	3200	(4) 14"	192,620	39-1/4"	9' 8-5/8"	8' 2-1/4"	17' 10-7/8"
eco-ATWB 24-6N40	172,460	38,580	246,920	(4) 40	528,630	(4) 10	5600	4007	3200	(4) 14"	219,820	47-3/4"	10' 5-1/8"	8' 2-1/4"	18' 7-3/8"
eco-ATWB 24-6O40	172,500	38,590	246,960	(4) 50	562,720	(4) 10	5600	4007	3200	(4) 14"	219,860	47-3/4"	10' 5-1/8"	8' 2-1/4"	18' 7-3/8"
eco-ATWB 24-6P40	173,300	38,790	247,760	(4) 60	592,190	(4) 10	5600	4007	3200	(4) 14"	220,660	47-3/4"	10' 5-1/8"	8' 2-1/4"	18' 7-3/8"

† Model Numbers end in "-Z" for units with Series Flow piping configuration. Series Flow units require crossover piping. Model numbers will include "R" for units with Low Sound Fan(s) and "S" for units with an option that negates CTI certification.

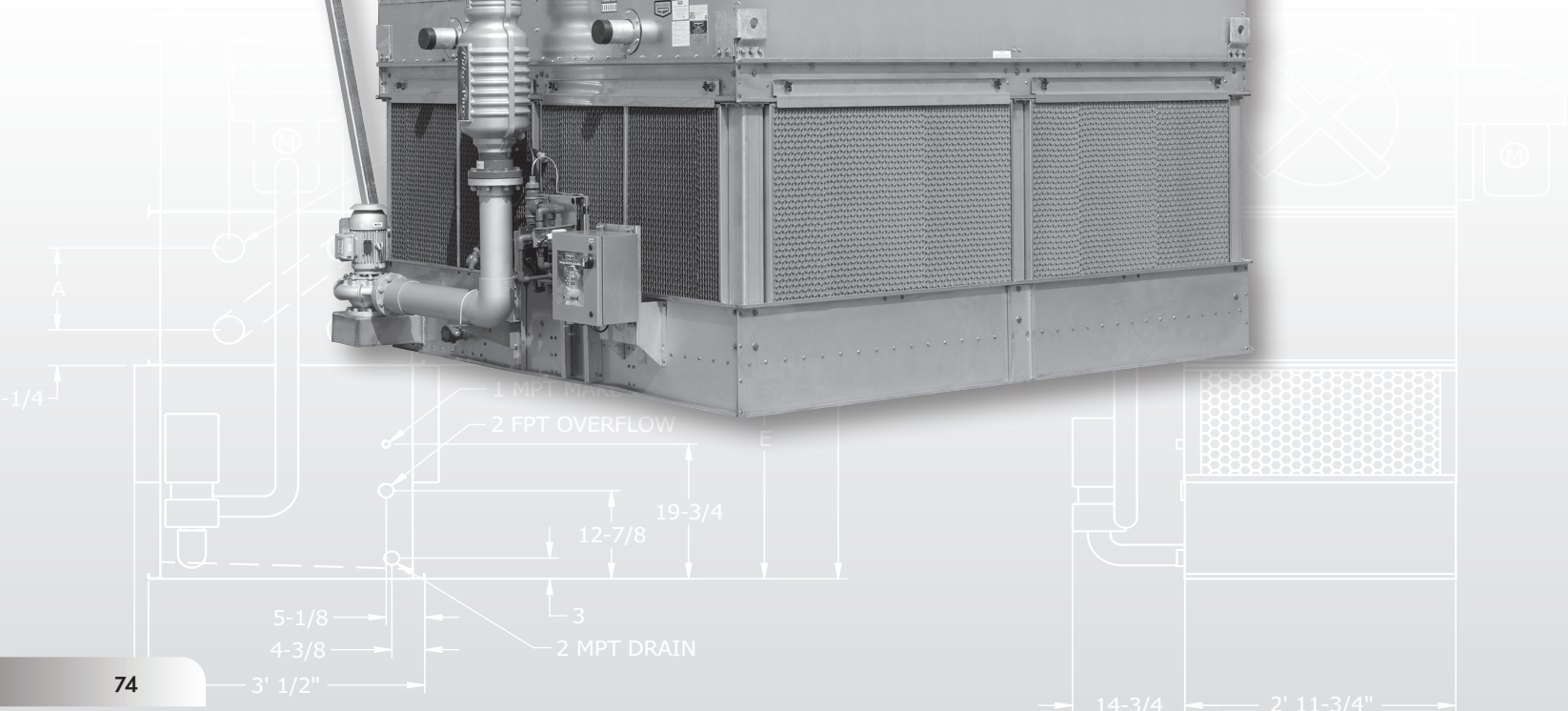
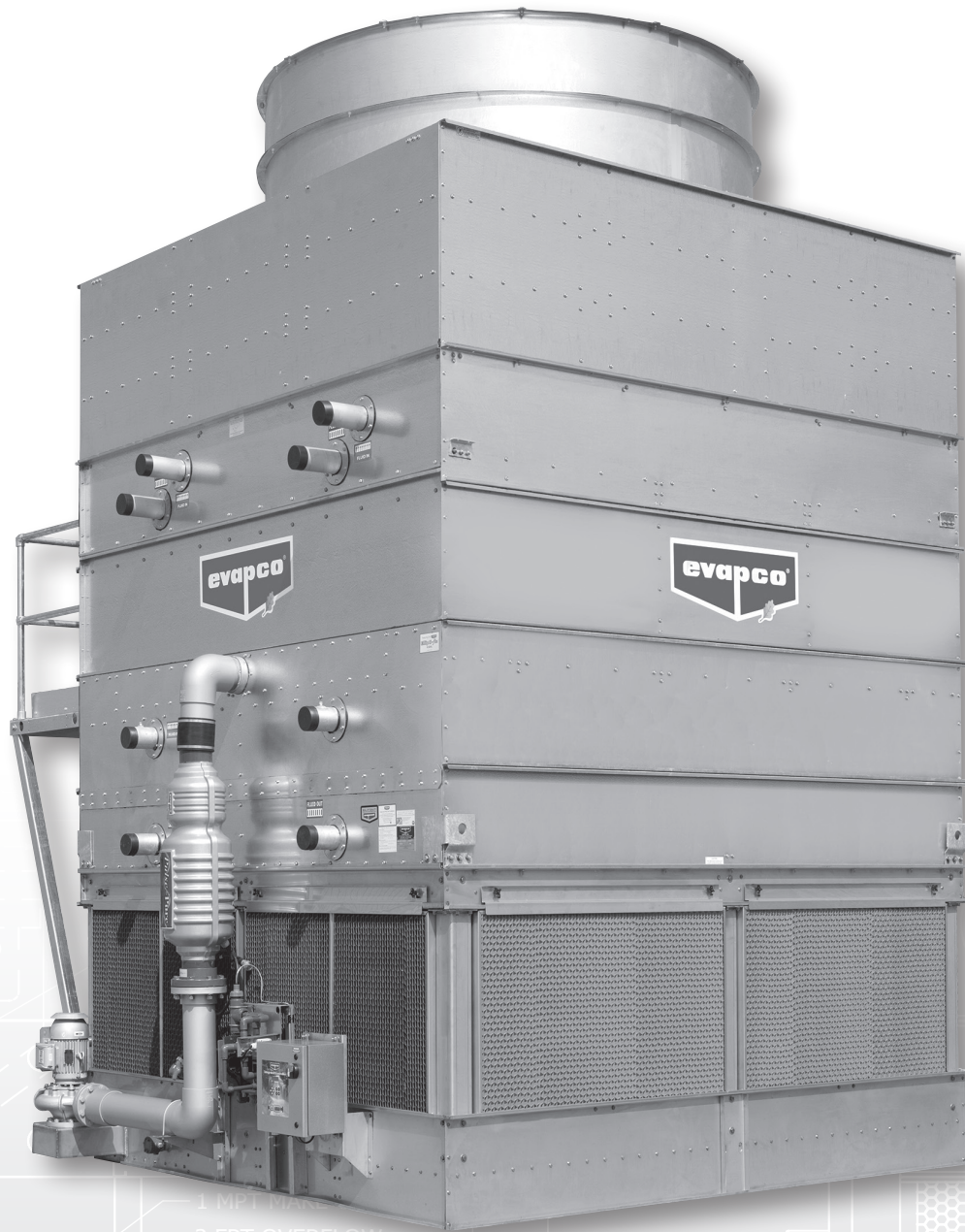
†† Heaviest section is the coil/fan section.

* Gallons shown is water in suspension in unit and piping. Allow for additional water in bottom of remote sump to cover pump suction and strainer during operation (12" would normally be sufficient).

△ When a remote sump arrangement is selected, the spray pump, suction strainer and associated piping are omitted; the unit is provided with an oversized outlet to facilitate drainage to the remote sump.

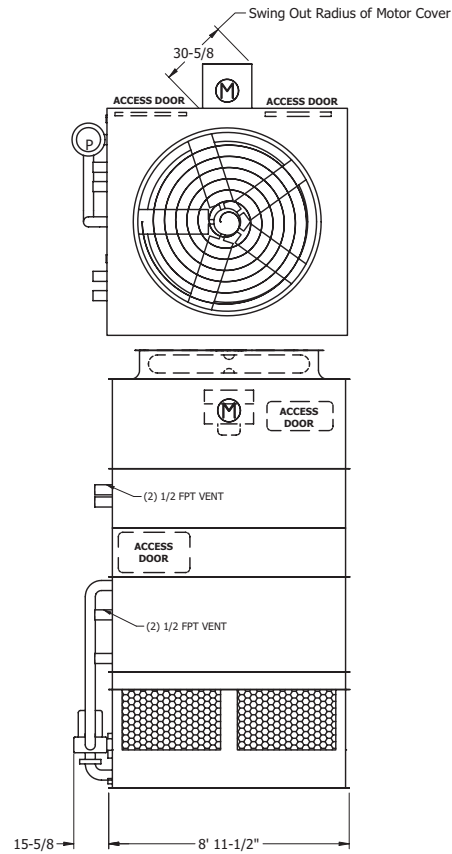
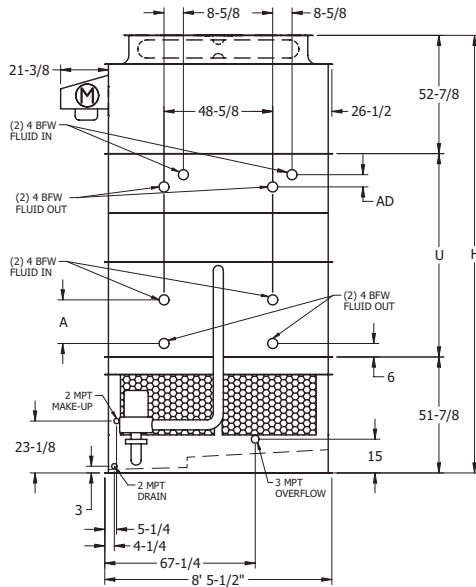
■ Unit dimensions and coil connections may vary slightly from catalog. See factory certified prints for dimensions, quantity of coil connections, and piping configuration. Coil connections are 4" bevel for weld (BFW). Other connection types such as grooved for mechanical coupling or flanged are also available as options.

eco-ATWB-H



eco-ATWB-H 9-1H9 to 9-4K9

Selections for eco-ATWB Closed Circuit Coolers are available from EVAPCO's **SPECTRUM™** Program. Please contact your local sales representative for more information on the **SPECTRUM™** program.



Note: The below table lists base unit dimensions and weights. See the table at the bottom Right of the Page for dry coil section dimensions and weight adds.
Note: The number of coil connections doubles when the flow rate exceeds 900 GPM on eco-ATWB-H 9x9 models. This required option is referred to as the High Flow coil configuration.

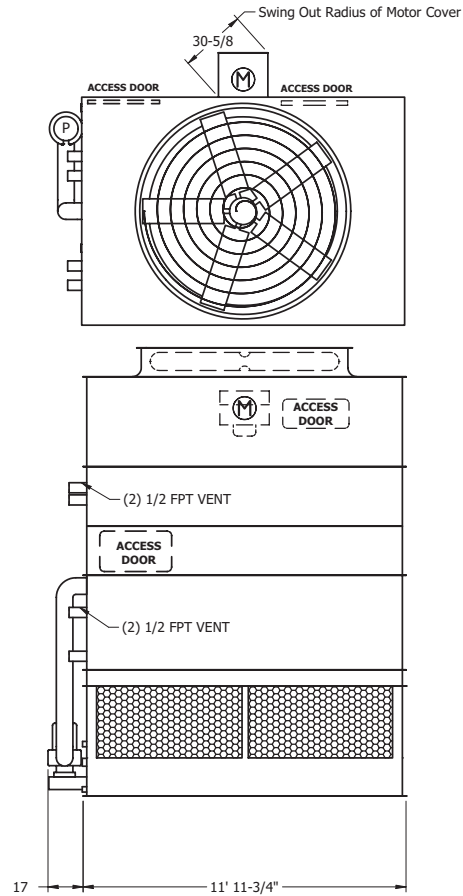
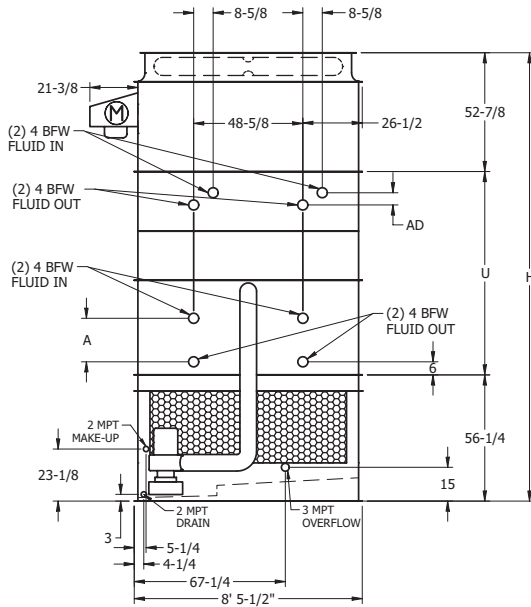
eco-ATWB-H Model Number†	Weights (lbs)			Fans		Spray Pump		Coil Volume (Gallons)	Remote Sump [△]			Dimensions [■]			
	Shipping	Heaviest Section††	Operating	HP	CFM	HP	GPM		Gallons* Required	Conn. Size	Operating Weight (lbs)	Height H	Length L	Upper U	Coil A
eco-ATWB-H 9-1H9	6,170	2,760	9,100	7.5	39,850	2	410	65	250	8"	7,820	15' 1-1/2"	8' 11-1/2"	6' 4-1/2"	5-1/2"
eco-ATWB-H 9-1I9	6,180	2,760	9,110	10	43,860	2	410	65	250	8"	7,830	15' 1-1/2"	8' 11-1/2"	6' 4-1/2"	5-1/2"
eco-ATWB-H 9-1J9	6,310	2,760	9,240	15	49,340	2	410	65	250	8"	7,960	15' 1-1/2"	8' 11-1/2"	6' 4-1/2"	5-1/2"
eco-ATWB-H 9-1K9	6,370	2,760	9,300	20	53,480	2	410	65	250	8"	8,020	15' 1-1/2"	8' 11-1/2"	6' 4-1/2"	5-1/2"
eco-ATWB-H 9-2H9	8,080	4,670	11,430	7.5	38,750	2	410	115	250	8"	10,150	15' 8"	8' 11-1/2"	6' 11"	12"
eco-ATWB-H 9-2I9	8,090	4,670	11,440	10	42,650	2	410	115	250	8"	10,160	15' 8"	8' 11-1/2"	6' 11"	12"
eco-ATWB-H 9-2J9	8,220	4,670	11,570	15	47,980	2	410	115	250	8"	10,290	15' 8"	8' 11-1/2"	6' 11"	12"
eco-ATWB-H 9-2K9	8,280	4,670	11,630	20	52,010	2	410	115	250	8"	10,350	15' 8"	8' 11-1/2"	6' 11"	12"
eco-ATWB-H 9-3H9	9,680	6,270	13,440	7.5	37,660	2	410	165	250	8"	12,160	16' 3-1/2"	8' 11-1/2"	7' 6-1/2"	19-1/2"
eco-ATWB-H 9-3I9	9,690	6,270	13,450	10	41,440	2	410	165	250	8"	12,170	16' 3-1/2"	8' 11-1/2"	7' 6-1/2"	19-1/2"
eco-ATWB-H 9-3J9	9,820	6,270	13,580	15	46,620	2	410	165	250	8"	12,300	16' 3-1/2"	8' 11-1/2"	7' 6-1/2"	19-1/2"
eco-ATWB-H 9-3K9	9,880	6,270	13,640	20	50,540	2	410	165	250	8"	12,360	16' 3-1/2"	8' 11-1/2"	7' 6-1/2"	19-1/2"
eco-ATWB-H 9-4H9	11,290	7,880	15,470	7.5	36,560	2	410	215	250	8"	14,190	16' 11"	8' 11-1/2"	8' 2"	27"
eco-ATWB-H 9-4I9	11,300	7,880	15,480	10	40,240	2	410	215	250	8"	14,200	16' 11"	8' 11-1/2"	8' 2"	27"
eco-ATWB-H 9-4J9	11,430	7,880	15,610	15	45,270	2	410	215	250	8"	14,330	16' 11"	8' 11-1/2"	8' 2"	27"
eco-ATWB-H 9-4K9	11,490	7,880	15,670	20	49,060	2	410	215	250	8"	14,390	16' 11"	8' 11-1/2"	8' 2"	27"

- † Model Numbers end in "-Z" for units with Series Flow piping configuration. Series Flow units may require additional coil connections and will require crossover piping.
- †† Heaviest section is the ARID Fin-Pak™ section and Ellipti-fin® coil sections shipped mounted together.
- * Gallons shown is water in suspension in unit and piping. Allow for additional water in bottom of remote sump to cover pump suction and strainer during operation (12" would normally be sufficient).
- △ When a remote sump arrangement is selected, the spray pump, suction strainer and associated piping are omitted; the unit is provided with an oversized outlet to facilitate drainage to the remote sump.
- Unit dimensions and coil connections may vary slightly from catalog. See factory certified prints for dimensions, quantity of coil connections, and piping configuration. Coil connections are 4" bevel for weld (BFW), also available as options. Other connection types such as grooved for mechanical coupling or flanged are also available as options.

Dry Coil Section Adds				
ARID Fin-Pak Coil Rows	Coil Volume (gallons)	Shipping Weight (lbs)	Operating Weight (lbs)	Coil AD (in.)
2	12	1,830	1,930	5-1/2"
4	22	2,280	2,470	5-1/2"
6	34	2,720	3,010	6-7/8"
8	46	3,170	3,560	9-1/2"

eco-ATWB-H 9-1112 to 9-4L12

Selections for eco-ATWB Closed Circuit Coolers are available from EVAPCO's **SPECTRUM™** Program. Please contact your local sales representative for more information on the **SPECTRUM™** program.



Note: The below table lists base unit dimensions and weights. See the table at the bottom Right of the Page for dry coil section dimensions and weight adds.
Note: The number of coil connections doubles when the flow rate exceeds 900 GPM on eco-ATWB-H 9x12 models. This required option is referred to as the High Flow coil configuration.

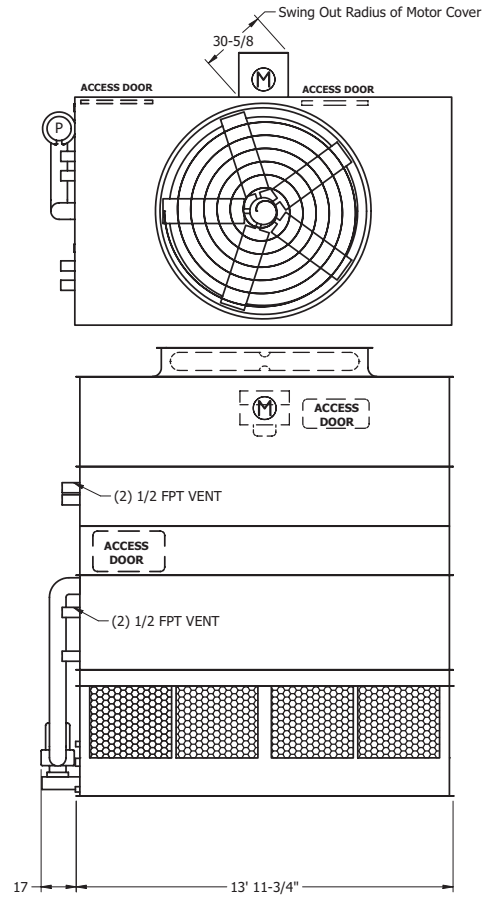
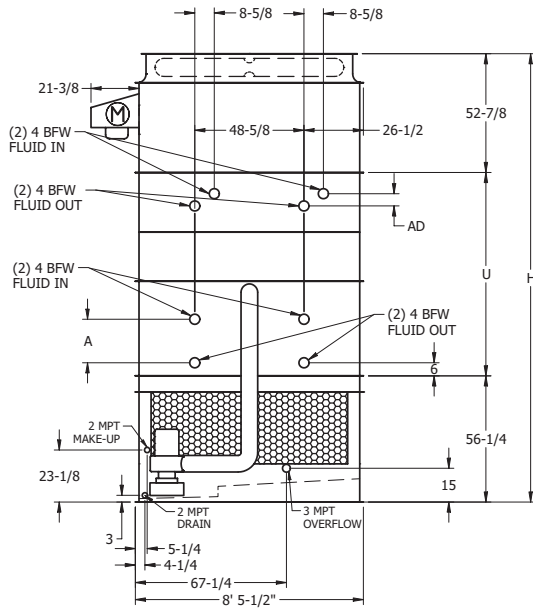
eco-ATWB-H Model Number†	Weights (lbs)			Fans		Spray Pump		Coil Volume (Gallons)	Remote Sump △			Dimensions ■			
	Shipping	Heaviest Section††	Operating	HP	CFM	HP	GPM		Gallons* Required	Conn. Size	Operating Weight (lbs)	Height H	Length L	Upper U	Coil A
eco-ATWB-H 9-1112	7,580	3,420	11,610	10	53,240	5	570	82	330	10"	9,830	15' 5-7/8"	11' 11-3/4"	6' 4-1/2"	5-1/2"
eco-ATWB-H 9-1112	7,710	3,420	11,740	15	60,830	5	570	82	330	10"	9,960	15' 5-7/8"	11' 11-3/4"	6' 4-1/2"	5-1/2"
eco-ATWB-H 9-1K12	7,770	3,420	11,800	20	65,940	5	570	82	330	10"	10,020	15' 5-7/8"	11' 11-3/4"	6' 4-1/2"	5-1/2"
eco-ATWB-H 9-1L12	7,800	3,420	11,830	25	70,190	5	570	82	330	10"	10,050	15' 5-7/8"	11' 11-3/4"	6' 4-1/2"	5-1/2"
eco-ATWB-H 9-2112	9,860	5,700	14,450	10	51,780	5	570	149	330	10"	12,670	16' 3/8"	11' 11-3/4"	6' 11"	12"
eco-ATWB-H 9-2112	9,990	5,700	14,580	15	59,160	5	570	149	330	10"	12,800	16' 3/8"	11' 11-3/4"	6' 11"	12"
eco-ATWB-H 9-2K12	10,050	5,700	14,640	20	64,120	5	570	149	330	10"	12,860	16' 3/8"	11' 11-3/4"	6' 11"	12"
eco-ATWB-H 9-2L12	10,080	5,700	14,670	25	68,260	5	570	149	330	10"	12,890	16' 3/8"	11' 11-3/4"	6' 11"	12"
eco-ATWB-H 9-3112	12,110	7,950	17,260	10	50,310	5	570	216	330	10"	15,480	16' 7-7/8"	11' 11-3/4"	7' 6-1/2"	19-1/2"
eco-ATWB-H 9-3112	12,240	7,950	17,390	15	57,490	5	570	216	330	10"	15,610	16' 7-7/8"	11' 11-3/4"	7' 6-1/2"	19-1/2"
eco-ATWB-H 9-3K12	12,300	7,950	17,450	20	62,310	5	570	216	330	10"	15,670	16' 7-7/8"	11' 11-3/4"	7' 6-1/2"	19-1/2"
eco-ATWB-H 9-3L12	12,330	7,950	17,480	25	66,330	5	570	216	330	10"	15,700	16' 7-7/8"	11' 11-3/4"	7' 6-1/2"	19-1/2"
eco-ATWB-H 9-4112	14,300	10,140	20,010	10	48,850	5	570	283	330	10"	18,230	17' 3-3/8"	11' 11-3/4"	8' 2"	27"
eco-ATWB-H 9-4112	14,430	10,140	20,140	15	55,810	5	570	283	330	10"	18,360	17' 3-3/8"	11' 11-3/4"	8' 2"	27"
eco-ATWB-H 9-4K12	14,490	10,140	20,200	20	60,490	5	570	283	330	10"	18,420	17' 3-3/8"	11' 11-3/4"	8' 2"	27"
eco-ATWB-H 9-4L12	14,520	10,140	20,230	25	64,390	5	570	283	330	10"	18,450	17' 3-3/8"	11' 11-3/4"	8' 2"	27"

† Model Numbers end in "-Z" for units with Series Flow piping configuration. Series Flow units may require additional coil connections and will require crossover piping.
 †† Heaviest section is the ARID Fin-Pak™ section and Ellipti-fin® coil sections shipped mounted together.
 * Gallons shown is water in suspension in unit and piping. Allow for additional water in bottom of remote sump to cover pump suction and strainer during operation (12" would normally be sufficient).
 △ When a remote sump arrangement is selected, the spray pump, suction strainer and associated piping are omitted; the unit is provided with an oversized outlet to facilitate drainage to the remote sump.
 ■ Unit dimensions and coil connections may vary slightly from catalog. See factory certified prints for dimensions, quantity of coil connections, and piping configuration. Coil connections are 4" bevel for weld (BFW), also available as options. Other connection types such as grooved for mechanical coupling or flanged are also available as options.

Dry Coil Section Adds				
ARID Fin-Pak Coil Rows	Coil Volume (gallons)	Shipping Weight (lbs)	Operating Weight (lbs)	Coil AD (in.)
2	15	2,180	2,300	5-1/2"
4	31	2,780	3,040	5-1/2"
6	46	3,380	3,770	6-7/8"
8	61	3,980	4,500	9-1/2"

eco-ATWB-H 9-1114 to 9-4M14

Selections for eco-ATWB Closed Circuit Coolers are available from EVAPCO's **SPECTRUM™** Program. Please contact your local sales representative for more information on the **SPECTRUM™** program.



Note: The below table lists base unit dimensions and weights. See the table at the bottom Right of the Page for dry coil section dimensions and weight adds.
Note: The number of coil connections doubles when the flow rate exceeds 900 GPM on eco-ATWB-H 9x14 models. This required option is referred to as the High Flow coil configuration.

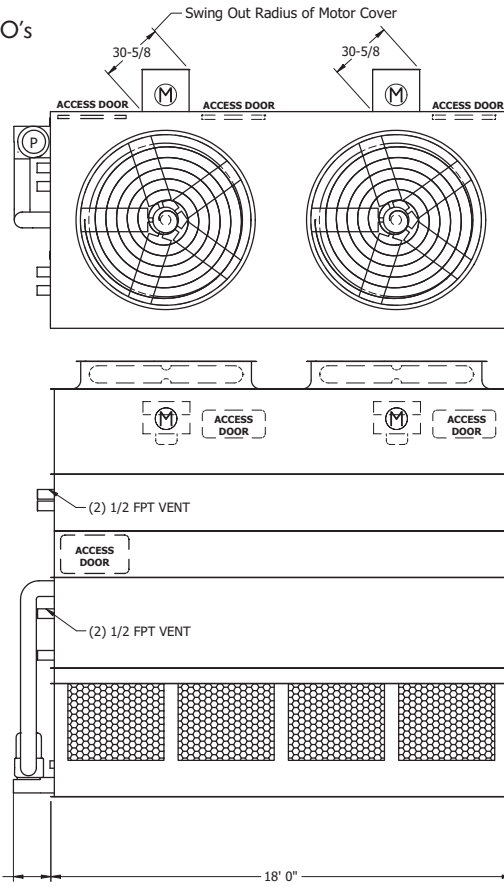
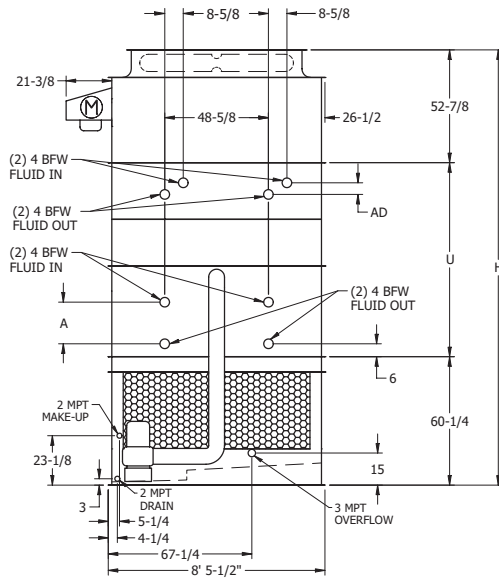
eco-ATWB-H Model Number†	Weights (lbs)			Fans		Spray Pump		Coil Volume (Gallons)	Remote Sump [△]			Dimensions [■]			
	Shipping	Heaviest Section††	Operating	HP	CFM	HP	GPM		Gallons* Required	Conn. Size	Operating Weight (lbs)	Height H	Length L	Upper U	Coil A
eco-ATWB-H 9-1114	9,500	4,990	14,170	10	59,020	5	650	93	380	10"	12,140	15' 5-7/8"	13' 11-3/4"	6' 4-1/2"	5-1/2"
eco-ATWB-H 9-1114	9,630	4,990	14,300	15	67,560	5	650	93	380	10"	12,270	15' 5-7/8"	13' 11-3/4"	6' 4-1/2"	5-1/2"
eco-ATWB-H 9-1K14	9,690	4,990	14,360	20	73,700	5	650	93	380	10"	12,330	15' 5-7/8"	13' 11-3/4"	6' 4-1/2"	5-1/2"
eco-ATWB-H 9-1L14	9,720	4,990	14,390	25	78,450	5	650	93	380	10"	12,360	15' 5-7/8"	13' 11-3/4"	6' 4-1/2"	5-1/2"
eco-ATWB-H 9-2114	11,230	6,720	16,550	10	57,400	5	650	172	380	10"	14,520	16' 3/8"	13' 11-3/4"	6' 11"	12"
eco-ATWB-H 9-2114	11,360	6,720	16,680	15	65,710	5	650	172	380	10"	14,650	16' 3/8"	13' 11-3/4"	6' 11"	12"
eco-ATWB-H 9-2K14	11,420	6,720	16,740	20	71,670	5	650	172	380	10"	14,710	16' 3/8"	13' 11-3/4"	6' 11"	12"
eco-ATWB-H 9-2L14	11,450	6,720	16,770	25	76,290	5	650	172	380	10"	14,740	16' 3/8"	13' 11-3/4"	6' 11"	12"
eco-ATWB-H 9-3114	13,770	9,260	19,750	10	55,770	5	650	250	380	10"	17,720	16' 7-7/8"	13' 11-3/4"	7' 6-1/2"	19-1/2"
eco-ATWB-H 9-3114	13,900	9,260	19,880	15	63,850	5	650	250	380	10"	17,850	16' 7-7/8"	13' 11-3/4"	7' 6-1/2"	19-1/2"
eco-ATWB-H 9-3K14	13,960	9,260	19,940	20	69,640	5	650	250	380	10"	17,910	16' 7-7/8"	13' 11-3/4"	7' 6-1/2"	19-1/2"
eco-ATWB-H 9-3L14	13,990	9,260	19,970	25	74,130	5	650	250	380	10"	17,940	16' 7-7/8"	13' 11-3/4"	7' 6-1/2"	19-1/2"
eco-ATWB-H 9-4114	16,420	11,780	23,060	15	61,990	5	650	329	380	10"	21,030	17' 3-3/8"	13' 11-3/4"	8' 2"	27"
eco-ATWB-H 9-4K14	16,480	11,780	23,120	20	67,620	5	650	329	380	10"	21,090	17' 3-3/8"	13' 11-3/4"	8' 2"	27"
eco-ATWB-H 9-4L14	16,510	11,780	23,150	25	71,970	5	650	329	380	10"	21,120	17' 3-3/8"	13' 11-3/4"	8' 2"	27"
eco-ATWB-H 9-4M14	16,560	11,780	23,200	30	75,740	5	650	329	380	10"	21,170	17' 3-3/8"	13' 11-3/4"	8' 2"	27"

† Model Numbers end in "Z" for units with Series Flow piping configuration. Series Flow units may require additional coil connections and will require crossover piping.
 †† Heaviest section is the ARID Fin-Pak™ section and Ellipti-fin® coil sections shipped mounted together.
 * Gallons shown is water in suspension in unit and piping. Allow for additional water in bottom of remote sump to cover pump suction and strainer during operation (12" would normally be sufficient).
[△] When a remote sump arrangement is selected, the spray pump, suction strainer and associated piping are omitted; the unit is provided with an oversized outlet to facilitate drainage to the remote sump.
 ■ Unit dimensions and coil connections may vary slightly from catalog. See factory certified prints for dimensions, quantity of coil connections, and piping configuration. Coil connections are 4" bevel for weld (BFW), also available as options. Other connection types such as grooved for mechanical coupling or flanged are also available as options.

ARID Fin-Pak Coil Rows	Coil Volume (gallons)	Shipping Weight (lbs)	Operating Weight (lbs)	Coil AD (in.)
2	18	2,410	2,560	5-1/2"
4	36	3,120	3,420	5-1/2"
6	54	3,830	4,270	6-7/8"
8	72	4,530	5,130	9-1/2"

eco-ATWB-H 9-1H18 to 9-4K18

Selections for eco-ATWB Closed Circuit Coolers are available from EVAPCO's **SPECTRUM™** Program. Please contact your local sales representative for more information on the **SPECTRUM™** program.



Note: The below table lists base unit dimensions and weights. See the table at the bottom Right of the Page for dry coil section dimensions and weight adds.
Note: The number of coil connections doubles when the flow rate exceeds 900 GPM on eco-ATWB-H 9x18 models. This required option is referred to as the High Flow coil configuration.

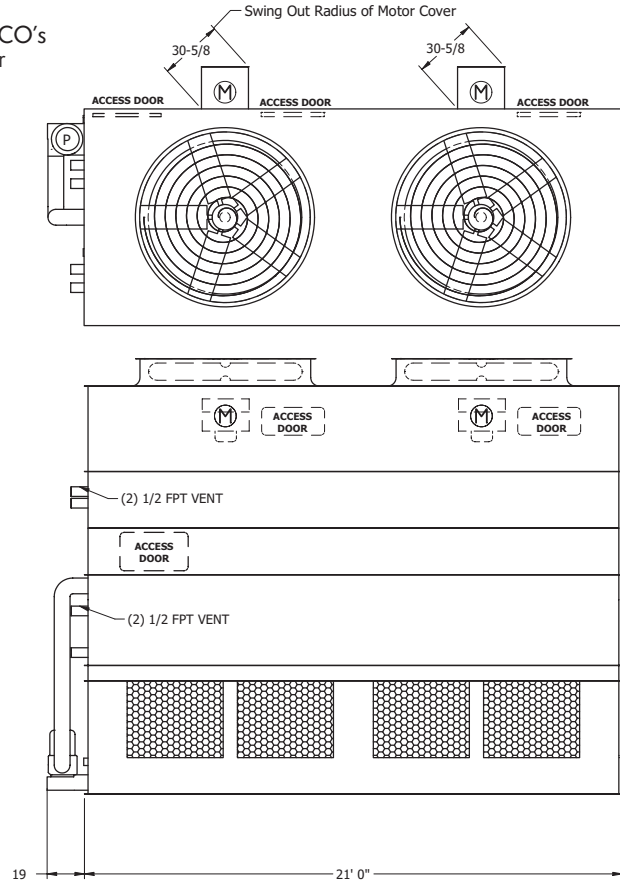
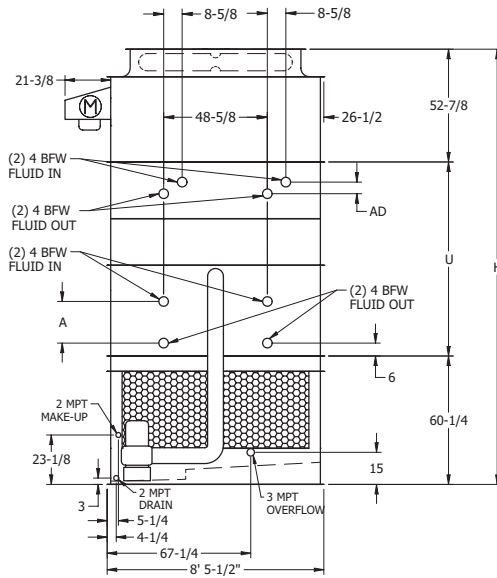
eco-ATWB-H Model Number†	Weights (lbs)			Fans		Spray Pump		Coil Volume (Gallons)	Remote Sump △			Dimensions ■			
	Shipping	Heaviest Section††	Operating	HP	CFM	HP	GPM		Gallons* Required	Conn. Size	Operating Weight (lbs)	Height H	Length L	Upper U	Coil A
eco-ATWB-H 9-1H18	11,700	4,950	17,770	(2) 7.5	79,980	5	800	116	510	12"	15,220	15' 9-7/8"	18' 0"	6' 4-1/2"	5-1/2"
eco-ATWB-H 9-1I18	11,730	4,950	17,800	(2) 10	88,030	5	800	116	510	12"	15,250	15' 9-7/8"	18' 0"	6' 4-1/2"	5-1/2"
eco-ATWB-H 9-1J18	11,980	4,950	18,050	(2) 15	99,050	5	800	116	510	12"	15,500	15' 9-7/8"	18' 0"	6' 4-1/2"	5-1/2"
eco-ATWB-H 9-1K18	12,100	4,950	18,170	(2) 20	107,360	5	800	116	510	12"	15,620	15' 9-7/8"	18' 0"	6' 4-1/2"	5-1/2"
eco-ATWB-H 9-2H18	15,060	8,310	21,980	(2) 7.5	77,770	5	800	217	510	12"	19,430	16' 4-3/8"	18' 0"	6' 11"	12"
eco-ATWB-H 9-2I18	15,090	8,310	22,010	(2) 10	85,600	5	800	217	510	12"	19,460	16' 4-3/8"	18' 0"	6' 11"	12"
eco-ATWB-H 9-2J18	15,340	8,310	22,260	(2) 15	96,330	5	800	217	510	12"	19,710	16' 4-3/8"	18' 0"	6' 11"	12"
eco-ATWB-H 9-2K18	15,460	8,310	22,380	(2) 20	104,410	5	800	217	510	12"	19,830	16' 4-3/8"	18' 0"	6' 11"	12"
eco-ATWB-H 9-3H18	18,400	11,650	26,160	(2) 7.5	75,570	5	800	319	510	12"	23,610	16' 11-7/8"	18' 0"	7' 6-1/2"	19-1/2"
eco-ATWB-H 9-3I18	18,430	11,650	26,190	(2) 10	83,180	5	800	319	510	12"	23,640	16' 11-7/8"	18' 0"	7' 6-1/2"	19-1/2"
eco-ATWB-H 9-3J18	18,680	11,650	26,440	(2) 15	93,600	5	800	319	510	12"	23,890	16' 11-7/8"	18' 0"	7' 6-1/2"	19-1/2"
eco-ATWB-H 9-3K18	18,800	11,650	26,560	(2) 20	101,450	5	800	319	510	12"	24,010	16' 11-7/8"	18' 0"	7' 6-1/2"	19-1/2"
eco-ATWB-H 9-4H18	21,700	14,950	30,310	(2) 7.5	73,370	5	800	420	510	12"	27,760	17' 7-3/8"	18' 0"	8' 2"	27"
eco-ATWB-H 9-4I18	21,730	14,950	30,340	(2) 10	80,760	5	800	420	510	12"	27,790	17' 7-3/8"	18' 0"	8' 2"	27"
eco-ATWB-H 9-4J18	21,980	14,950	30,590	(2) 15	90,880	5	800	420	510	12"	28,040	17' 7-3/8"	18' 0"	8' 2"	27"
eco-ATWB-H 9-4K18	22,100	14,950	30,710	(2) 20	98,500	5	800	420	510	12"	28,160	17' 7-3/8"	18' 0"	8' 2"	27"

† Model Numbers end in "-Z" for units with Series Flow piping configuration. Series Flow units may require additional coil connections and will require crossover piping.
 †† Heaviest section is the ARID Fin-Pak™ section and Ellipti-fin® coil sections shipped mounted together.
 * Gallons shown is water in suspension in unit and piping. Allow for additional water in bottom of remote sump to cover pump suction and strainer during operation [12" would normally be sufficient].
 △ When a remote sump arrangement is selected, the spray pump, suction strainer and associated piping are omitted; the unit is provided with an oversized outlet to facilitate drainage to the remote sump.
 ■ Unit dimensions and coil connections may vary slightly from catalog. See factory certified prints for dimensions, quantity of coil connections, and piping configuration. Coil connections are 4" bevel for weld (BFW), also available as options. Other connection types such as grooved for mechanical coupling or flanged are also available as options.

ARID Fin-Pak Coil Rows	Coil Volume (gallons)	Shipping Weight (lbs)	Operating Weight (lbs)	Coil AD (in.)
2	24	2,890	3,090	5-1/2"
4	46	3,800	4,190	5-1/2"
6	70	4,720	5,300	6-7/8"
8	93	5,630	6,400	9-1/2"

eco-ATWB-H 9-1H21 to 9-4K21

Selections for eco-ATWB Closed Circuit Coolers are available from EVAPCO's **SPECTRUM™** Program. Please contact your local sales representative for more information on the **SPECTRUM™** program.



Note: The below table lists base unit dimensions and weights. See the table at the bottom Right of the Page for dry coil section dimensions and weight adds.

Note: The number of coil connections doubles when the flow rate exceeds 900 GPM on eco-ATWB-H 9x21 models. This required option is referred to as the High Flow coil configuration.

eco-ATWB-H Model Number†	Weights (lbs)			Fans		Spray Pump		Coil Volume (Gallons)	Remote Sump △			Dimensions ■			
	Shipping	Heaviest Section††	Operating	HP	CFM	HP	GPM		Gallons* Required	Conn. Size	Operating Weight (lbs)	Height H	Length L	Upper U	Coil A
eco-ATWB-H 9-1H21	13,150	5,660	20,340	(2) 7.5	88,640	7.5	1050	133	590	12"	17,370	15' 9-7/8"	21' 0"	6' 4-1/2"	5-1/2"
eco-ATWB-H 9-1I21	13,180	5,660	20,370	(2) 10	97,560	7.5	1050	133	590	12"	17,400	15' 9-7/8"	21' 0"	6' 4-1/2"	5-1/2"
eco-ATWB-H 9-1J21	13,430	5,660	20,620	(2) 15	110,690	7.5	1050	133	590	12"	17,650	15' 9-7/8"	21' 0"	6' 4-1/2"	5-1/2"
eco-ATWB-H 9-1K21	13,550	5,660	20,740	(2) 20	119,970	7.5	1050	133	590	12"	17,770	15' 9-7/8"	21' 0"	6' 4-1/2"	5-1/2"
eco-ATWB-H 9-2H21	17,300	9,810	25,480	(2) 7.5	86,200	7.5	1050	252	590	12"	22,510	16' 4-3/8"	21' 0"	6' 11"	12"
eco-ATWB-H 9-2I21	17,330	9,810	25,510	(2) 10	94,870	7.5	1050	252	590	12"	22,540	16' 4-3/8"	21' 0"	6' 11"	12"
eco-ATWB-H 9-2J21	17,580	9,810	25,760	(2) 15	107,640	7.5	1050	252	590	12"	22,790	16' 4-3/8"	21' 0"	6' 11"	12"
eco-ATWB-H 9-2K21	17,700	9,810	25,880	(2) 20	116,670	7.5	1050	252	590	12"	22,910	16' 4-3/8"	21' 0"	6' 11"	12"
eco-ATWB-H 9-3H21	20,970	13,480	30,140	(2) 7.5	83,760	7.5	1050	370	590	12"	27,170	16' 11-7/8"	21' 0"	7' 6-1/2"	19-1/2"
eco-ATWB-H 9-3I21	21,000	13,480	30,170	(2) 10	92,190	7.5	1050	370	590	12"	27,200	16' 11-7/8"	21' 0"	7' 6-1/2"	19-1/2"
eco-ATWB-H 9-3J21	21,250	13,480	30,420	(2) 15	104,590	7.5	1050	370	590	12"	27,450	16' 11-7/8"	21' 0"	7' 6-1/2"	19-1/2"
eco-ATWB-H 9-3K21	21,370	13,480	30,540	(2) 20	113,370	7.5	1050	370	590	12"	27,570	16' 11-7/8"	21' 0"	7' 6-1/2"	19-1/2"
eco-ATWB-H 9-4H21	24,820	17,330	34,980	(2) 7.5	81,320	7.5	1050	489	590	12"	32,010	17' 7-3/8"	21' 0"	8' 2"	27"
eco-ATWB-H 9-4I21	24,850	17,330	35,010	(2) 10	89,500	7.5	1050	489	590	12"	32,040	17' 7-3/8"	21' 0"	8' 2"	27"
eco-ATWB-H 9-4J21	25,100	17,330	35,260	(2) 15	101,550	7.5	1050	489	590	12"	32,290	17' 7-3/8"	21' 0"	8' 2"	27"
eco-ATWB-H 9-4K21	25,220	17,330	35,380	(2) 20	110,070	7.5	1050	489	590	12"	32,410	17' 7-3/8"	21' 0"	8' 2"	27"

† Model Numbers end in "Z" for units with Series Flow piping configuration. Series Flow units may require additional coil connections and will require crossover piping.

†† Heaviest section is the ARID Fin-Pak™ section and Ellipti-fin® coil sections shipped mounted together.

* Gallons shown is water in suspension in unit and piping. Allow for additional water in bottom of remote sump to cover pump suction and strainer during operation (12" would normally be sufficient).

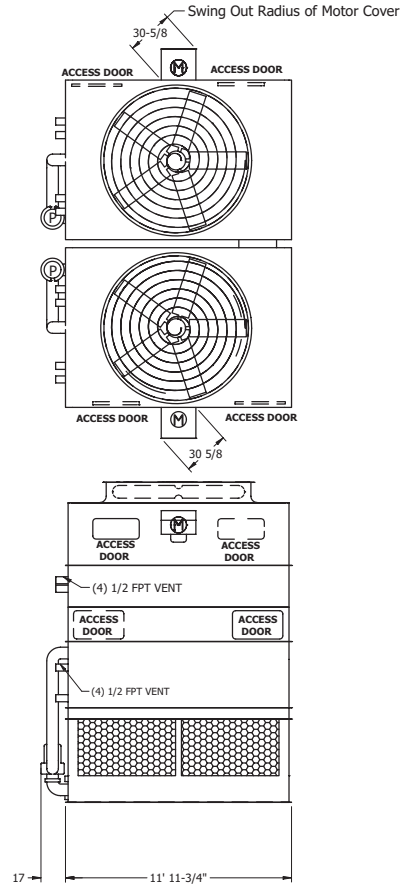
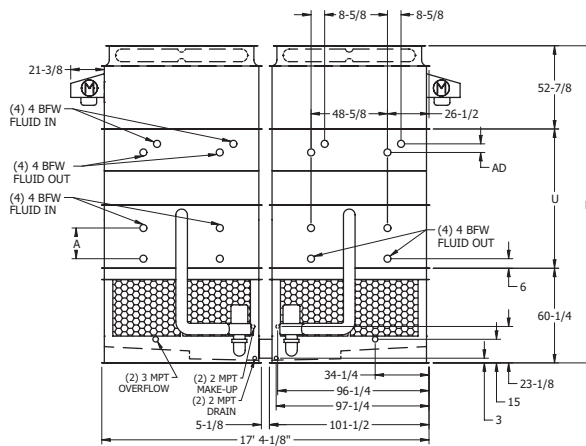
△ When a remote sump arrangement is selected, the spray pump, suction strainer and associated piping are omitted; the unit is provided with an oversized outlet to facilitate drainage to the remote sump.

■ Unit dimensions and coil connections may vary slightly from catalog. See factory certified prints for dimensions, quantity of coil connections, and piping configuration. Coil connections are 4" bevel for weld (BFW), also available as options. Other connection types such as grooved for mechanical coupling or flanged are also available as options.

Dry Coil Section Adds				
ARID Fin-Pak Coil Rows	Coil Volume (gallons)	Shipping Weight (lbs)	Operating Weight (lbs)	Coil AD (in.)
2	27	3,260	3,480	5-1/2"
4	55	4,320	4,780	5-1/2"
6	82	5,390	6,080	6-7/8"
8	109	6,470	7,380	9-1/2"

eco-ATWB-H 17-1112 to 17-4L12

Selections for eco-ATWB Closed Circuit Coolers are available from EVAPCO's **SPECTRUM™** Program. Please contact your local sales representative for more information on the **SPECTRUM™** program.



Note: The below table lists base unit dimensions and weights. See the table at the bottom Right of the Page for dry coil section dimensions and weight adds.
Note: The number of coil connections doubles when the flow rate exceeds 1,800 GPM on eco-ATWB-H 17x12 models. This required option is referred to as the High Flow coil configuration.

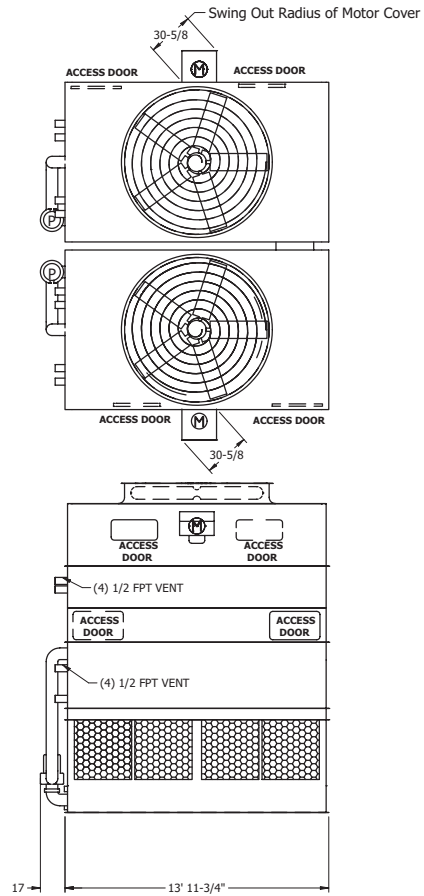
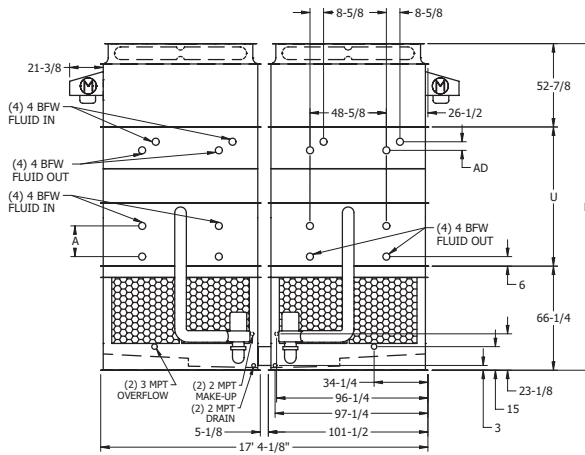
eco-ATWB-H Model Number†	Weights (lbs)			Fans		Spray Pump		Coil Volume (Gallons)	Remote Sump Δ			Dimensions ■			
	Shipping	Heaviest Section††	Operating	HP	CFM	HP	GPM		Gallons* Required	Conn. Size	Operating Weight (lbs)	Height H	Length L	Upper U	Coil A
eco-ATWB-H 17-1112	15,040	3,360	23,100	[2] 10	106,490	[2] 5	1140	163	660	[2] 10"	19,540	15' 9 7/8"	11' 11-3/4"	6' 4-1/2"	5-1/2"
eco-ATWB-H 17-1112	15,300	3,360	23,360	[2] 15	121,670	[2] 5	1140	163	660	[2] 10"	19,800	15' 9 7/8"	11' 11-3/4"	6' 4-1/2"	5-1/2"
eco-ATWB-H 17-1K12	15,420	3,360	23,480	[2] 20	131,880	[2] 5	1140	163	660	[2] 10"	19,920	15' 9 7/8"	11' 11-3/4"	6' 4-1/2"	5-1/2"
eco-ATWB-H 17-1L12	15,480	3,360	23,540	[2] 25	140,380	[2] 5	1140	163	660	[2] 10"	19,980	15' 9 7/8"	11' 11-3/4"	6' 4-1/2"	5-1/2"
eco-ATWB-H 17-2112	19,660	5,670	28,840	[2] 10	103,560	[2] 5	1140	297	660	[2] 10"	25,280	16' 4 3/8"	11' 11-3/4"	6' 11"	12"
eco-ATWB-H 17-2112	19,920	5,670	29,100	[2] 15	118,320	[2] 5	1140	297	660	[2] 10"	25,540	16' 4 3/8"	11' 11-3/4"	6' 11"	12"
eco-ATWB-H 17-2K12	20,040	5,670	29,220	[2] 20	128,250	[2] 5	1140	297	660	[2] 10"	25,660	16' 4 3/8"	11' 11-3/4"	6' 11"	12"
eco-ATWB-H 17-2L12	20,100	5,670	29,280	[2] 25	136,510	[2] 5	1140	297	660	[2] 10"	25,720	16' 4 3/8"	11' 11-3/4"	6' 11"	12"
eco-ATWB-H 17-3112	24,220	7,950	34,520	[2] 10	100,630	[2] 5	1140	432	660	[2] 10"	30,960	16' 11 7/8"	11' 11-3/4"	7' 6-1/2"	19-1/2"
eco-ATWB-H 17-3112	24,480	7,950	34,780	[2] 15	114,970	[2] 5	1140	432	660	[2] 10"	31,220	16' 11 7/8"	11' 11-3/4"	7' 6-1/2"	19-1/2"
eco-ATWB-H 17-3K12	24,600	7,950	34,900	[2] 20	124,620	[2] 5	1140	432	660	[2] 10"	31,340	16' 11 7/8"	11' 11-3/4"	7' 6-1/2"	19-1/2"
eco-ATWB-H 17-3L12	24,660	7,950	34,960	[2] 25	132,650	[2] 5	1140	432	660	[2] 10"	31,400	16' 11 7/8"	11' 11-3/4"	7' 6-1/2"	19-1/2"
eco-ATWB-H 17-4112	28,600	10,140	40,020	[2] 10	97,690	[2] 5	1140	566	660	[2] 10"	36,460	17' 7 3/8"	11' 11-3/4"	8' 2"	27"
eco-ATWB-H 17-4112	28,860	10,140	40,280	[2] 15	111,620	[2] 5	1140	566	660	[2] 10"	36,720	17' 7 3/8"	11' 11-3/4"	8' 2"	27"
eco-ATWB-H 17-4K12	28,980	10,140	40,400	[2] 20	120,990	[2] 5	1140	566	660	[2] 10"	36,840	17' 7 3/8"	11' 11-3/4"	8' 2"	27"
eco-ATWB-H 17-4L12	29,040	10,140	40,460	[2] 25	128,790	[2] 5	1140	566	660	[2] 10"	36,900	17' 7 3/8"	11' 11-3/4"	8' 2"	27"

- † Model Numbers end in "-Z" for units with Series Flow piping configuration. Series Flow units may require additional coil connections and will require crossover piping.
- †† Heaviest section is the ARID Fin-Pak™ section and Ellipti-fin® coil sections shipped mounted together.
- * Gallons shown is water in suspension in unit and piping. Allow for additional water in bottom of remote sump to cover pump suction and strainer during operation [12" would normally be sufficient).
- Δ When a remote sump arrangement is selected, the spray pump, suction strainer and associated piping are omitted; the unit is provided with an oversized outlet to facilitate drainage to the remote sump.
- Unit dimensions and coil connections may vary slightly from catalog. See factory certified prints for dimensions, quantity of coil connections, and piping configuration. Coil connections are 4" bevel for weld (BFW), also available as options. Other connection types such as grooved for mechanical coupling or flanged are also available as options.

Dry Coil Section Adds				
ARID Fin-Pak Coil Rows	Coil Volume (gallons)	Shipping Weight (lbs)	Operating Weight (lbs)	Coil AD (in.)
2	30	[2] 2,180	4,610	5-1/2"
4	63	[2] 2,780	6,080	5-1/2"
6	93	[2] 3,380	7,540	6-7/8"
8	123	[2] 3,980	8,990	9-1/2"

eco-ATWB-H 17-1114 to 17-4M14

Selections for eco-ATWB Closed Circuit Coolers are available from EVAPCO's **SPECTRUM™** Program. Please contact your local sales representative for more information on the **SPECTRUM™** program.



Note: The below table lists base unit dimensions and weights. See the table at the bottom Right of the Page for dry coil section dimensions and weight adds.
Note: The number of coil connections doubles when the flow rate exceeds 1,800 GPM on eco-ATWB-H 17x14 models. This required option is referred to as the High Flow coil configuration.

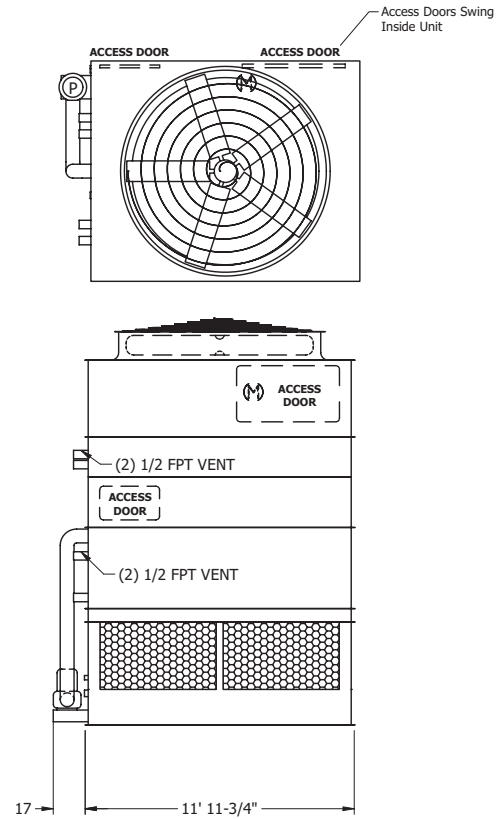
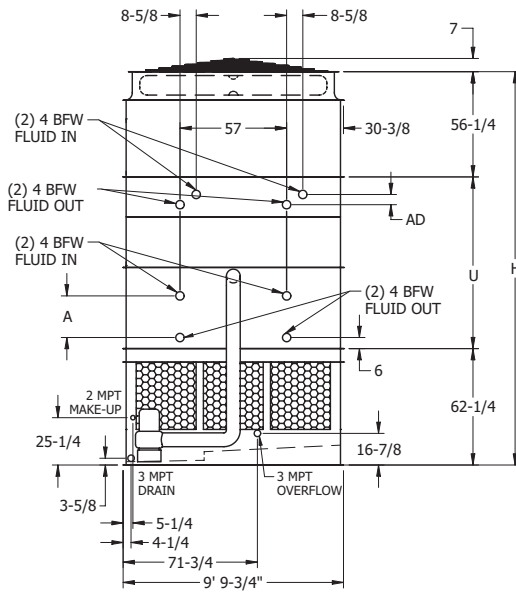
eco-ATWB-H Model Number†	Weights (lbs)			Fans		Spray Pump		Coil Volume (Gallons)	Remote Sump [△]			Dimensions [■]			
	Shipping	Heaviest Section††	Operating	HP	CFM	HP	GPM		Gallons* Required	Conn. Size	Operating Weight (lbs)	Height H	Length L	Upper U	Coil A
eco-ATWB-H 17-1114	18,880	4,930	28,220	[2] 10	118,050	[2] 5	1300	186	760	[2] 10"	24,160	16' 37/8"	13' 11 3/4"	6' 4 1/2"	51/2"
eco-ATWB-H 17-1114	19,140	4,930	28,480	[2] 15	135,130	[2] 5	1300	186	760	[2] 10"	24,420	16' 37/8"	13' 11 3/4"	6' 4 1/2"	51/2"
eco-ATWB-H 17-1K14	19,260	4,930	28,600	[2] 20	147,400	[2] 5	1300	186	760	[2] 10"	24,540	16' 37/8"	13' 11 3/4"	6' 4 1/2"	51/2"
eco-ATWB-H 17-1L14	19,320	4,930	28,660	[2] 25	156,900	[2] 5	1300	186	760	[2] 10"	24,600	16' 37/8"	13' 11 3/4"	6' 4 1/2"	51/2"
eco-ATWB-H 17-2114	22,240	6,610	32,880	[2] 10	114,800	[2] 5	1300	343	760	[2] 10"	28,820	16' 10 3/8"	13' 11 3/4"	6' 11"	12"
eco-ATWB-H 17-2114	22,500	6,610	33,140	[2] 15	131,410	[2] 5	1300	343	760	[2] 10"	29,080	16' 10 3/8"	13' 11 3/4"	6' 11"	12"
eco-ATWB-H 17-2K14	22,620	6,610	33,260	[2] 20	143,340	[2] 5	1300	343	760	[2] 10"	29,200	16' 10 3/8"	13' 11 3/4"	6' 11"	12"
eco-ATWB-H 17-2L14	22,680	6,610	33,320	[2] 25	152,590	[2] 5	1300	343	760	[2] 10"	29,260	16' 10 3/8"	13' 11 3/4"	6' 11"	12"
eco-ATWB-H 17-3114	27,540	9,260	39,500	[2] 10	111,550	[2] 5	1300	500	760	[2] 10"	35,440	17' 57/8"	13' 11 3/4"	7' 6 1/2"	19 1/2"
eco-ATWB-H 17-3114	27,800	9,260	39,760	[2] 15	127,690	[2] 5	1300	500	760	[2] 10"	35,700	17' 57/8"	13' 11 3/4"	7' 6 1/2"	19 1/2"
eco-ATWB-H 17-3K14	27,920	9,260	39,880	[2] 20	139,290	[2] 5	1300	500	760	[2] 10"	35,820	17' 57/8"	13' 11 3/4"	7' 6 1/2"	19 1/2"
eco-ATWB-H 17-3L14	27,980	9,260	39,940	[2] 25	148,270	[2] 5	1300	500	760	[2] 10"	35,880	17' 57/8"	13' 11 3/4"	7' 6 1/2"	19 1/2"
eco-ATWB-H 17-4114	32,840	11,780	46,120	[2] 15	123,970	[2] 5	1300	657	760	[2] 10"	42,060	18' 13/8"	13' 11 3/4"	8' 2"	27"
eco-ATWB-H 17-4K14	32,960	11,780	46,240	[2] 20	135,230	[2] 5	1300	657	760	[2] 10"	42,180	18' 13/8"	13' 11 3/4"	8' 2"	27"
eco-ATWB-H 17-4L14	33,020	11,780	46,300	[2] 25	143,950	[2] 5	1300	657	760	[2] 10"	42,240	18' 13/8"	13' 11 3/4"	8' 2"	27"
eco-ATWB-H 17-4M14	33,120	11,780	46,400	[2] 30	151,490	[2] 5	1300	657	760	[2] 10"	42,340	18' 13/8"	13' 11 3/4"	8' 2"	27"

† Model Numbers end in "-Z" for units with Series Flow piping configuration. Series Flow units may require additional coil connections and will require crossover piping.
 †† Heaviest section is the ARID Fin-Pak™ section and Ellipti-fin® coil sections shipped mounted together.
 * Gallons shown is water in suspension in unit and piping. Allow for additional water in bottom of remote sump to cover pump suction and strainer during operation (12" would normally be sufficient).
[△] When a remote sump arrangement is selected, the spray pump, suction strainer and associated piping are omitted; the unit is provided with an oversized outlet to facilitate drainage to the remote sump.
[■] Unit dimensions and coil connections may vary slightly from catalog. See factory certified prints for dimensions, quantity of coil connections, and piping configuration. Coil connections are 4" bevel for weld (BFW), also available as options. Other connection types such as grooved for mechanical coupling or flanged are also available as options.

Dry Coil Section Adds				
ARID Fin-Pak Coil Rows	Coil Volume (gallons)	Shipping Weight (lbs)	Operating Weight (lbs)	Coil AD (in.)
2	36	[2] 2,410	5,130	5-1/2"
4	72	[2] 3,120	6,840	5-1/2"
6	108	[2] 3,830	8,550	6-7/8"
8	144	[2] 4,530	10,260	9-1/2"

eco-ATWB-H 10-1112 to 10-4M12

Selections for eco-ATWB Closed Circuit Coolers are available from EVAPCO's **SPECTRUM™** Program. Please contact your local sales representative for more information on the **SPECTRUM™** program.



Note: The below table lists base unit dimensions and weights. See the table at the bottom Right of the Page for dry coil section dimensions and weight adds.
Note: The number of coil connections doubles when the flow rate exceeds 900 GPM on eco-ATWB-H 10x12 models. This required option is referred to as the High Flow coil configuration.

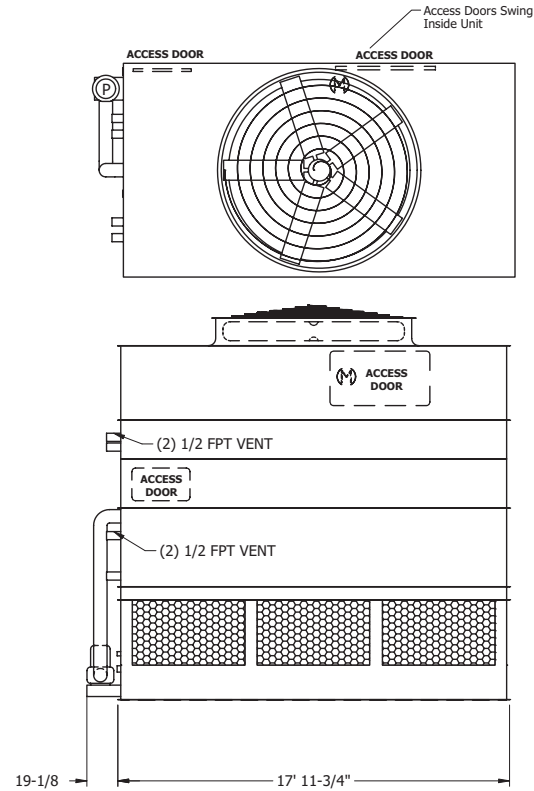
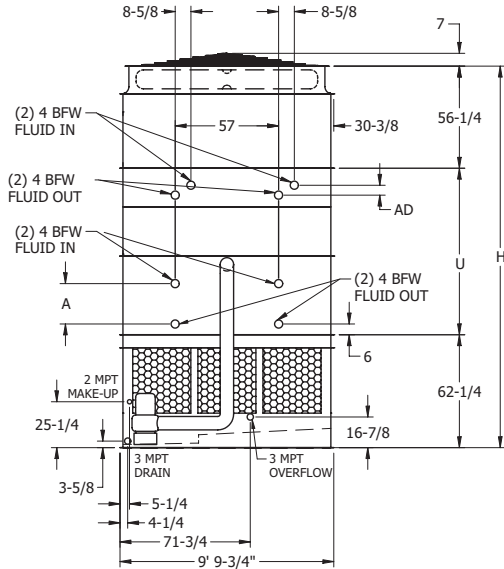
eco-ATWB-H Model Number†	Weights (lbs)			Fans		Spray Pump		Coil Volume (Gallons)	Remote Sump Δ			Dimensions ■			
	Shipping	Heaviest Section††	Operating	HP	CFM	HP	GPM		Gallons* Required	Conn. Size	Operating Weight (lbs)	Height H	Length L	Upper U	Coil A
eco-ATWB-H 10-1112	9,890	4,910	15,500	10	58,920	5	685	95	420	12"	11,930	16' 1-5/8"	11' 11-3/4"	6' 3"	5-1/2"
eco-ATWB-H 10-1112	10,020	4,910	15,630	15	67,450	5	685	95	420	12"	12,060	16' 1-5/8"	11' 11-3/4"	6' 3"	5-1/2"
eco-ATWB-H 10-1K12	10,080	4,910	15,690	20	73,570	5	685	95	420	12"	12,120	16' 1-5/8"	11' 11-3/4"	6' 3"	5-1/2"
eco-ATWB-H 10-1L12	10,110	4,910	15,720	25	78,310	5	685	95	420	12"	12,150	16' 1-5/8"	11' 11-3/4"	6' 3"	5-1/2"
eco-ATWB-H 10-1M12	10,160	4,910	15,770	30	82,410	5	685	95	420	12"	12,200	16' 1-5/8"	11' 11-3/4"	6' 3"	5-1/2"
eco-ATWB-H 10-2112	12,710	7,730	18,980	10	57,300	5	685	174	420	12"	15,410	16' 9-7/8"	11' 11-3/4"	6' 11-1/4"	13-3/4"
eco-ATWB-H 10-2112	12,840	7,730	19,110	15	65,590	5	685	174	420	12"	15,540	16' 9-7/8"	11' 11-3/4"	6' 11-1/4"	13-3/4"
eco-ATWB-H 10-2K12	12,900	7,730	19,170	20	71,540	5	685	174	420	12"	15,600	16' 9-7/8"	11' 11-3/4"	6' 11-1/4"	13-3/4"
eco-ATWB-H 10-2L12	12,930	7,730	19,200	25	76,150	5	685	174	420	12"	15,630	16' 9-7/8"	11' 11-3/4"	6' 11-1/4"	13-3/4"
eco-ATWB-H 10-2M12	12,980	7,730	19,250	30	80,140	5	685	174	420	12"	15,680	16' 9-7/8"	11' 11-3/4"	6' 11-1/4"	13-3/4"
eco-ATWB-H 10-3112	15,170	10,190	22,090	10	55,680	5	685	253	420	12"	18,520	17' 6-3/8"	11' 11-3/4"	7' 7-3/4"	22-1/4"
eco-ATWB-H 10-3112	15,300	10,190	22,220	15	63,740	5	685	253	420	12"	18,650	17' 6-3/8"	11' 11-3/4"	7' 7-3/4"	22-1/4"
eco-ATWB-H 10-3K12	15,360	10,190	22,280	20	69,520	5	685	253	420	12"	18,710	17' 6-3/8"	11' 11-3/4"	7' 7-3/4"	22-1/4"
eco-ATWB-H 10-3L12	15,390	10,190	22,310	25	74,000	5	685	253	420	12"	18,740	17' 6-3/8"	11' 11-3/4"	7' 7-3/4"	22-1/4"
eco-ATWB-H 10-3M12	15,440	10,190	22,360	30	77,870	5	685	253	420	12"	18,790	17' 6-3/8"	11' 11-3/4"	7' 7-3/4"	22-1/4"
eco-ATWB-H 10-4112	17,770	12,790	25,350	10	54,060	5	685	332	420	12"	21,780	18' 2-7/8"	11' 11-3/4"	8' 4-1/4"	30-3/4"
eco-ATWB-H 10-4112	17,900	12,790	25,480	15	61,880	5	685	332	420	12"	21,910	18' 2-7/8"	11' 11-3/4"	8' 4-1/4"	30-3/4"
eco-ATWB-H 10-4K12	17,960	12,790	25,540	20	67,490	5	685	332	420	12"	21,970	18' 2-7/8"	11' 11-3/4"	8' 4-1/4"	30-3/4"
eco-ATWB-H 10-4L12	17,990	12,790	25,570	25	71,840	5	685	332	420	12"	22,000	18' 2-7/8"	11' 11-3/4"	8' 4-1/4"	30-3/4"
eco-ATWB-H 10-4M12	18,040	12,790	25,620	30	75,610	5	685	332	420	12"	22,050	18' 2-7/8"	11' 11-3/4"	8' 4-1/4"	30-3/4"

† Model Numbers end in "-Z" for units with Series Flow piping configuration. Series Flow units may require additional coil connections and will require crossover piping.
 †† Heaviest section is the ARID Fin-Pak™ section and Ellipti-fin® coil sections shipped mounted together.
 * Gallons shown is water in suspension in unit and piping. Allow for additional water in bottom of remote sump to cover pump suction and strainer during operation (12" would normally be sufficient).
 Δ When a remote sump arrangement is selected, the spray pump, suction strainer and associated piping are omitted; the unit is provided with an oversized outlet to facilitate drainage to the remote sump.
 ■ Unit dimensions and coil connections may vary slightly from catalog. See factory certified prints for dimensions, quantity of coil connections, and piping configuration. Coil connections are 4" bevel for weld (BFW); also available as options. Other connection types such as grooved for mechanical coupling or flanged are also available as options.

Dry Coil Section Adds				
ARID Fin-Pak Coil Rows	Coil Volume (gallons)	Shipping Weight (lbs)	Operating Weight (lbs)	Coil AD (in.)
2	18	2,430	2,580	5-1/2"
4	36	3,140	3,440	5-1/2"
6	55	3,860	4,320	6-7/8"
8	73	4,570	5,180	9-1/2"

eco-ATWB-H 10-1118 to 10-4N18

Selections for eco-ATWB Closed Circuit Coolers are available from EVAPCO's **SPECTRUM™** Program. Please contact your local sales representative for more information on the **SPECTRUM™** program.



Note: The below table lists base unit dimensions and weights. See the table at the bottom Right of the Page for dry coil section dimensions and weight adds.

Note: The number of coil connections doubles when the flow rate exceeds 900 GPM on eco-ATWB-H 10x18 models. This required option is referred to as the High Flow coil configuration.

eco-ATWB-H Model Number†	Weights (lbs)			Fans		Spray Pump		Coil Volume (Gallons)	Remote Sump [△]			Dimensions [■]			
	Shipping	Heaviest Section††	Operating	HP	CFM	HP	GPM		Gallons* Required	Conn. Size	Operating Weight (lbs)	Height H	Length L	Upper U	Coil A
eco-ATWB-H 10-1118	13,820	7,060	22,250	10	77,390	7.5	1030	136	630	12"	17,000	16' 1-5/8"	18' 0"	6' 3"	5-1/2"
eco-ATWB-H 10-1118	13,950	7,060	22,380	15	88,580	7.5	1030	136	630	12"	17,130	16' 1-5/8"	18' 0"	6' 3"	5-1/2"
eco-ATWB-H 10-1K18	14,010	7,060	22,440	20	97,500	7.5	1030	1-36	630	12"	17,190	16' 1-5/8"	18' 0"	6' 3"	5-1/2"
eco-ATWB-H 10-1L18	14,040	7,060	22,470	25	105,030	7.5	1030	136	630	12"	17,220	16' 1-5/8"	18' 0"	6' 3"	5-1/2"
eco-ATWB-H 10-1M18	14,090	7,060	22,520	30	110,620	7.5	1030	136	630	12"	17,270	16' 1-5/8"	18' 0"	6' 3"	5-1/2"
eco-ATWB-H 10-1N18	14,250	7,060	22,680	40	119,900	7.5	1030	136	630	12"	17,430	16' 1-5/8"	18' 0"	6' 3"	5-1/2"
eco-ATWB-H 10-2118	18,050	11,290	27,480	10	75,260	7.5	1030	255	630	12"	22,230	16' 9-7/8"	18' 0"	6' 11-1/4"	13-3/4"
eco-ATWB-H 10-2J18	18,180	11,290	27,610	15	86,150	7.5	1030	255	630	12"	22,360	16' 9-7/8"	18' 0"	6' 11-1/4"	13-3/4"
eco-ATWB-H 10-2K18	18,240	11,290	27,670	20	94,820	7.5	1030	255	630	12"	22,420	16' 9-7/8"	18' 0"	6' 11-1/4"	13-3/4"
eco-ATWB-H 10-2L18	18,270	11,290	27,700	25	102,140	7.5	1030	255	630	12"	22,450	16' 9-7/8"	18' 0"	6' 11-1/4"	13-3/4"
eco-ATWB-H 10-2M18	18,320	11,290	27,750	30	107,570	7.5	1030	255	630	12"	22,500	16' 9-7/8"	18' 0"	6' 11-1/4"	13-3/4"
eco-ATWB-H 10-2N18	18,480	11,290	27,910	40	116,600	7.5	1030	255	630	12"	22,660	16' 9-7/8"	18' 0"	6' 11-1/4"	13-3/4"
eco-ATWB-H 10-3118	21,770	15,010	32,190	10	73,130	7.5	1030	374	630	12"	26,940	17' 6-3/8"	18' 0"	7' 7-3/4"	22-1/4"
eco-ATWB-H 10-3J18	21,900	15,010	32,320	15	83,710	7.5	1030	374	630	12"	27,070	17' 6-3/8"	18' 0"	7' 7-3/4"	22-1/4"
eco-ATWB-H 10-3K18	21,960	15,010	32,380	20	92,130	7.5	1030	374	630	12"	27,130	17' 6-3/8"	18' 0"	7' 7-3/4"	22-1/4"
eco-ATWB-H 10-3L18	21,990	15,010	32,410	25	99,250	7.5	1030	374	630	12"	27,160	17' 6-3/8"	18' 0"	7' 7-3/4"	22-1/4"
eco-ATWB-H 10-3M18	22,040	15,010	32,460	30	104,530	7.5	1030	374	630	12"	27,210	17' 6-3/8"	18' 0"	7' 7-3/4"	22-1/4"
eco-ATWB-H 10-3N18	22,200	15,010	32,620	40	113,300	7.5	1030	374	630	12"	27,370	17' 6-3/8"	18' 0"	7' 7-3/4"	22-1/4"
eco-ATWB-H 10-4118	25,640	18,880	37,060	10	71,000	7.5	1030	494	630	12"	31,810	18' 2-7/8"	18' 0"	8' 4-1/4"	30-3/4"
eco-ATWB-H 10-4J18	25,770	18,880	37,190	15	81,270	7.5	1030	494	630	12"	31,940	18' 2-7/8"	18' 0"	8' 4-1/4"	30-3/4"
eco-ATWB-H 10-4K18	25,830	18,880	37,250	20	89,450	7.5	1030	494	630	12"	32,000	18' 2-7/8"	18' 0"	8' 4-1/4"	30-3/4"
eco-ATWB-H 10-4L18	25,860	18,880	37,280	25	96,360	7.5	1030	494	630	12"	32,030	18' 2-7/8"	18' 0"	8' 4-1/4"	30-3/4"
eco-ATWB-H 10-4M18	25,910	18,880	37,330	30	101,480	7.5	1030	494	630	12"	32,080	18' 2-7/8"	18' 0"	8' 4-1/4"	30-3/4"
eco-ATWB-H 10-4N18	26,070	18,880	37,490	40	110,000	7.5	1030	494	630	12"	32,240	18' 2-7/8"	18' 0"	8' 4-1/4"	30-3/4"

† Model Numbers end in "Z" for units with Series Flow piping configuration. Series Flow units may require additional coil connections and will require crossover piping.

†† Heaviest section is the ARID Fin-Pak™ section and Ellipti-fin® coil sections shipped mounted together.

* Gallons shown is water in suspension in unit and piping. Allow for additional water in bottom of remote sump to cover pump suction and strainer during operation (12" would normally be sufficient).

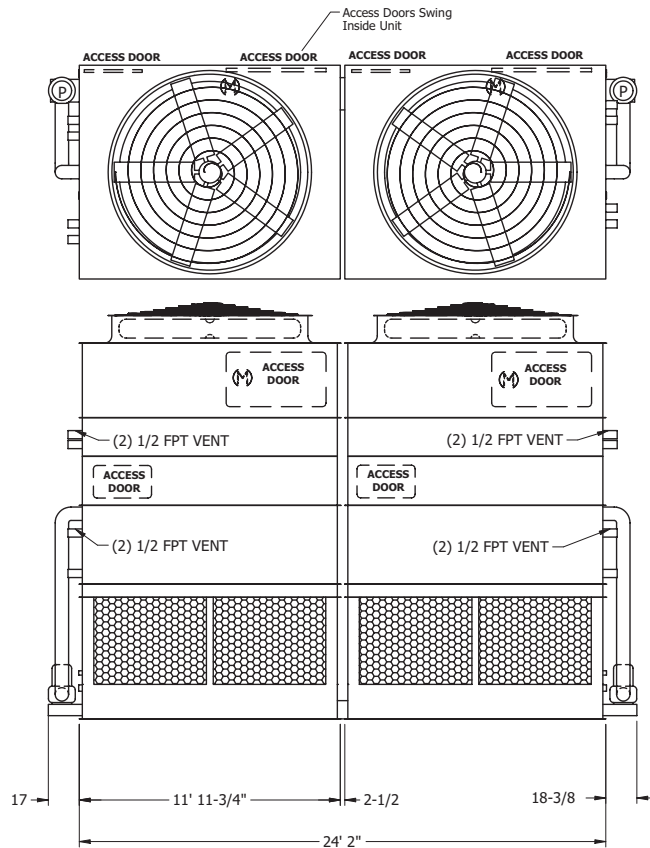
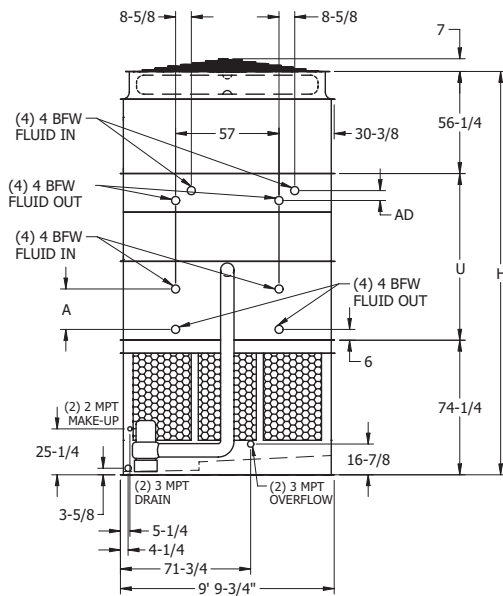
△ When a remote sump arrangement is selected, the spray pump, suction strainer and associated piping are omitted; the unit is provided with an oversized outlet to facilitate drainage to the remote sump.

■ Unit dimensions and coil connections may vary slightly from catalog. See factory certified prints for dimensions, quantity of coil connections, and piping configuration. Coil connections are 4" bevel for weld (BFW), also available as options. Other connection types such as grooved for mechanical coupling or flanged are also available as options.

Dry Coil Section Adds				
ARID Fin-Pak Coil Rows	Coil Volume (gallons)	Shipping Weight (lbs)	Operating Weight (lbs)	Coil AD (in.)
2	27	3,220	3,450	5-1/2"
4	55	4,300	4,770	5-1/2"
6	82	5,380	6,070	6-7/8"
8	111	6,460	7,380	9-1/2"

eco-ATWB-H 10-1124 to 10-4M24

Selections for eco-ATWB Closed Circuit Coolers are available from EVAPCO's SPECTRUM™ Program. Please contact your local sales representative for more information on the SPECTRUM™ program.



Note: The below table lists base unit dimensions and weights. See the table at the bottom Right of the Page for dry coil section dimensions and weight adds.
Note: The number of coil connections doubles when the flow rate exceeds 1,800 GPM on eco-ATWB-H 10x24 models. This required option is referred to as the High Flow coil configuration.

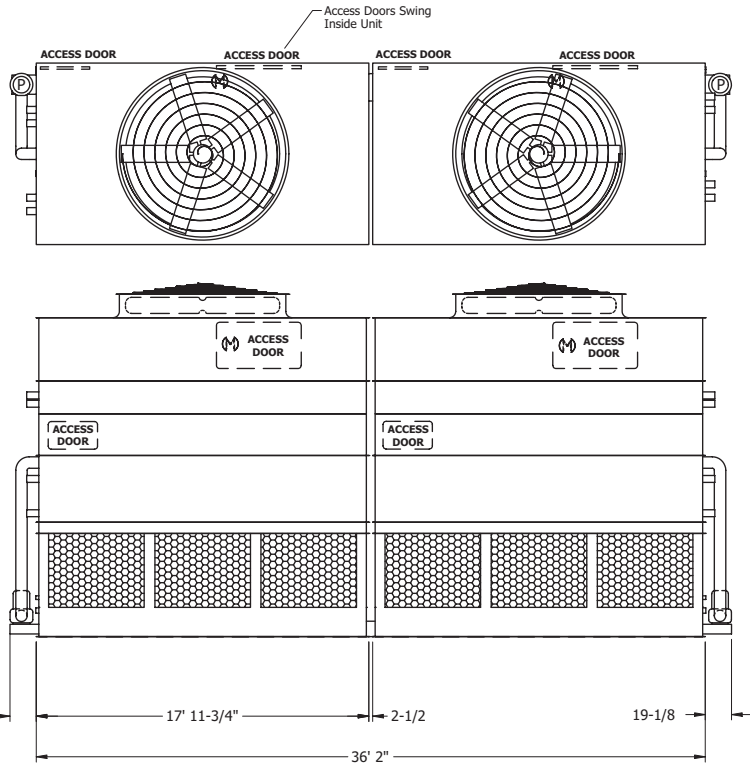
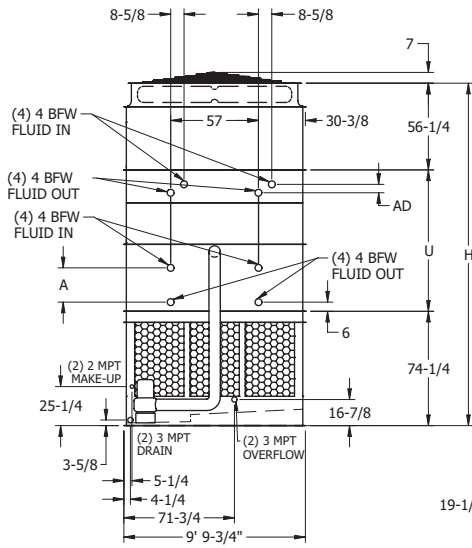
eco-ATWB-H Model Number†	Weights (lbs)			Fans		Spray Pump		Coil Volume (Gallons)	Remote Sump Δ		Dimensions ■				
	Shipping	Heaviest Section††	Operating	HP	CFM	HP	GPM		Gallons* Required	Conn. Size	Operating Weight (lbs)	Height H	Length L	Upper U	Coil A
eco-ATWB-H 10-1124	19,600	4,820	30,820	2 10	117,850	2 5	1370	190	840	2 12"	23,680	17' 1-5/8"	24' 2"	6' 3"	5-1/2"
eco-ATWB-H 10-1J24	19,860	4,820	31,080	2 15	134,900	2 5	1370	190	840	2 12"	23,940	17' 1-5/8"	24' 2"	6' 3"	5-1/2"
eco-ATWB-H 10-1K24	19,980	4,820	31,200	2 20	147,130	2 5	1370	190	840	2 12"	24,060	17' 1-5/8"	24' 2"	6' 3"	5-1/2"
eco-ATWB-H 10-1L24	20,040	4,820	31,260	2 25	156,620	2 5	1370	190	840	2 12"	24,120	17' 1-5/8"	24' 2"	6' 3"	5-1/2"
eco-ATWB-H 10-1M24	20,140	4,820	31,360	2 30	164,820	2 5	1370	190	840	2 12"	24,220	17' 1-5/8"	24' 2"	6' 3"	5-1/2"
eco-ATWB-H 10-2124	25,340	7,690	37,880	2 10	114,600	2 5	1370	348	840	2 12"	30,740	17' 9/8"	24' 2"	6' 11/4"	13-3/4"
eco-ATWB-H 10-2J24	25,600	7,690	38,140	2 15	131,190	2 5	1370	348	840	2 12"	31,000	17' 9-7/8"	24' 2"	6' 11-1/4"	13-3/4"
eco-ATWB-H 10-2K24	25,720	7,690	38,260	2 20	143,080	2 5	1370	348	840	2 12"	31,120	17' 9-7/8"	24' 2"	6' 11-1/4"	13-3/4"
eco-ATWB-H 10-2L24	25,780	7,690	38,320	2 25	152,310	2 5	1370	348	840	2 12"	31,180	17' 9-7/8"	24' 2"	6' 11-1/4"	13-3/4"
eco-ATWB-H 10-2M24	25,880	7,690	38,420	2 30	160,280	2 5	1370	348	840	2 12"	31,280	17' 9-7/8"	24' 2"	6' 11-1/4"	13-3/4"
eco-ATWB-H 10-3124	30,340	10,190	44,180	2 10	111,360	2 5	1370	506	840	2 12"	37,040	18' 6-3/8"	24' 2"	7' 7-3/4"	22-1/4"
eco-ATWB-H 10-3J24	30,600	10,190	44,440	2 15	127,470	2 5	1370	506	840	2 12"	37,300	18' 6-3/8"	24' 2"	7' 7-3/4"	22-1/4"
eco-ATWB-H 10-3K24	30,720	10,190	44,560	2 20	139,030	2 5	1370	506	840	2 12"	37,420	18' 6-3/8"	24' 2"	7' 7-3/4"	22-1/4"
eco-ATWB-H 10-3L24	30,780	10,190	44,620	2 25	148,000	2 5	1370	506	840	2 12"	37,480	18' 6-3/8"	24' 2"	7' 7-3/4"	22-1/4"
eco-ATWB-H 10-3M24	30,880	10,190	44,720	2 30	155,750	2 5	1370	506	840	2 12"	37,580	18' 6-3/8"	24' 2"	7' 7-3/4"	22-1/4"
eco-ATWB-H 10-4124	35,540	12,790	50,700	2 10	108,120	2 5	1370	664	840	2 12"	43,560	19' 2-7/8"	24' 2"	8' 4-1/4"	30-3/4"
eco-ATWB-H 10-4J24	35,800	12,790	50,960	2 15	123,760	2 5	1370	664	840	2 12"	43,820	19' 2-7/8"	24' 2"	8' 4-1/4"	30-3/4"
eco-ATWB-H 10-4K24	35,920	12,790	51,080	2 20	134,980	2 5	1370	664	840	2 12"	43,940	19' 2-7/8"	24' 2"	8' 4-1/4"	30-3/4"
eco-ATWB-H 10-4L24	35,980	12,790	51,140	2 25	143,690	2 5	1370	664	840	2 12"	44,000	19' 2-7/8"	24' 2"	8' 4-1/4"	30-3/4"
eco-ATWB-H 10-4M24	36,080	12,790	51,240	2 30	151,210	2 5	1370	664	840	2 12"	44,100	19' 2-7/8"	24' 2"	8' 4-1/4"	30-3/4"

† Model Numbers end in "-Z" for units with Series Flow piping configuration. Series Flow units may require additional coil connections and will require crossover piping.
 †† Heaviest section is the ARID Fin-Pak™ section and Ellipti-fin® coil sections shipped mounted together.
 * Gallons shown is water in suspension in unit and piping. Allow for additional water in bottom of remote sump to cover pump suction and strainer during operation (12" would normally be sufficient).
 Δ When a remote sump arrangement is selected, the spray pump, suction strainer and associated piping are omitted; the unit is provided with an oversized outlet to facilitate drainage to the remote sump.
 ■ Unit dimensions and coil connections may vary slightly from catalog. See factory certified prints for dimensions, quantity of coil connections, and piping configuration. Coil connections are 4" bevel for weld (BFW), also available as options. Other connection types such as grooved for mechanical coupling or flanged are also available as options.

Dry Coil Section Adds				
ARID Fin-Pak Coil Rows	Coil Volume (gallons)	Shipping Weight (lbs)	Operating Weight (lbs)	Coil AD (in.)
2	36	2,430	5,160	5-1/2"
4	72	3,140	6,890	5-1/2"
6	111	3,860	8,630	6-7/8"
8	147	4,570	10,370	9-1/2"

eco-ATWB-H 10-1I36 to 10-4N36

Selections for eco-ATWB Closed Circuit Coolers are available from EVAPCO's SPECTRUM™ Program. Please contact your local sales representative for more information on the SPECTRUM™ program.



Note: The below table lists base unit dimensions and weights. See the table at the bottom Right of the Page for dry coil section dimensions and weight adds.
Note: The number of coil connections doubles when the flow rate exceeds 1,800 GPM on eco-ATWB-H 10x36 models. This required option is referred to as the High Flow coil configuration.

eco-ATWB-H Model Number†	Weights (lbs)			Fans		Spray Pump		Coil Volume (Gallons)	Remote Sump △			Dimensions ■			
	Shipping	Heaviest Section††	Operating	HP	CFM	HP	GPM		Gallons* Required	Conn. Size	Operating Weight (lbs)	Height H	Length L	Upper U	Coil A
eco-ATWB-H 10-1I36	27,400	6,940	44,260	(2) 10	154,770	(2) 7.5	2060	271	1260	(2) 12"	33,760	17' 1-5/8"	36' 2-1/2"	6' 3"	5-1/2"
eco-ATWB-H 10-1J36	27,660	6,940	44,520	(2) 15	177,170	(2) 7.5	2060	271	1260	(2) 12"	34,020	17' 1-5/8"	36' 2-1/2"	6' 3"	5-1/2"
eco-ATWB-H 10-1K36	27,780	6,940	44,640	(2) 20	195,000	(2) 7.5	2060	271	1260	(2) 12"	34,140	17' 1-5/8"	36' 2-1/2"	6' 3"	5-1/2"
eco-ATWB-H 10-1L36	27,840	6,940	44,700	(2) 25	210,060	(2) 7.5	2060	271	1260	(2) 12"	34,200	17' 1-5/8"	36' 2-1/2"	6' 3"	5-1/2"
eco-ATWB-H 10-1M36	27,940	6,940	44,800	(2) 30	221,240	(2) 7.5	2060	271	1260	(2) 12"	34,300	17' 1-5/8"	36' 2-1/2"	6' 3"	5-1/2"
eco-ATWB-H 10-1N36	28,260	6,940	45,120	(2) 40	239,790	(2) 7.5	2060	271	1260	(2) 12"	34,620	17' 1-5/8"	36' 2-1/2"	6' 3"	5-1/2"
eco-ATWB-H 10-2I36	35,960	11,220	54,820	(2) 10	150,510	(2) 7.5	2060	510	1260	(2) 12"	44,320	17' 9-7/8"	36' 2-1/2"	6' 11-1/4"	13-3/4"
eco-ATWB-H 10-2J36	36,220	11,220	55,080	(2) 15	172,290	(2) 7.5	2060	510	1260	(2) 12"	44,580	17' 9-7/8"	36' 2-1/2"	6' 11-1/4"	13-3/4"
eco-ATWB-H 10-2K36	36,340	11,220	55,200	(2) 20	189,630	(2) 7.5	2060	510	1260	(2) 12"	44,700	17' 9-7/8"	36' 2-1/2"	6' 11-1/4"	13-3/4"
eco-ATWB-H 10-2L36	36,400	11,220	55,260	(2) 25	204,280	(2) 7.5	2060	510	1260	(2) 12"	44,760	17' 9-7/8"	36' 2-1/2"	6' 11-1/4"	13-3/4"
eco-ATWB-H 10-2M36	36,500	11,220	55,360	(2) 30	215,150	(2) 7.5	2060	510	1260	(2) 12"	44,860	17' 9-7/8"	36' 2-1/2"	6' 11-1/4"	13-3/4"
eco-ATWB-H 10-2N36	36,820	11,220	55,680	(2) 40	233,190	(2) 7.5	2060	510	1260	(2) 12"	45,180	17' 9-7/8"	36' 2-1/2"	6' 11-1/4"	13-3/4"
eco-ATWB-H 10-3I36	43,540	15,010	64,380	(2) 10	146,250	(2) 7.5	2060	748	1260	(2) 12"	53,880	18' 6-3/8"	36' 2-1/2"	7' 7-3/4"	22-1/4"
eco-ATWB-H 10-3J36	43,800	15,010	64,640	(2) 15	167,420	(2) 7.5	2060	748	1260	(2) 12"	54,140	18' 6-3/8"	36' 2-1/2"	7' 7-3/4"	22-1/4"
eco-ATWB-H 10-3K36	43,920	15,010	64,760	(2) 20	184,270	(2) 7.5	2060	748	1260	(2) 12"	54,260	18' 6-3/8"	36' 2-1/2"	7' 7-3/4"	22-1/4"
eco-ATWB-H 10-3L36	43,980	15,010	64,820	(2) 25	198,490	(2) 7.5	2060	748	1260	(2) 12"	54,320	18' 6-3/8"	36' 2-1/2"	7' 7-3/4"	22-1/4"
eco-ATWB-H 10-3M36	44,080	15,010	64,920	(2) 30	209,060	(2) 7.5	2060	748	1260	(2) 12"	54,420	18' 6-3/8"	36' 2-1/2"	7' 7-3/4"	22-1/4"
eco-ATWB-H 10-3N36	44,400	15,010	65,240	(2) 40	226,590	(2) 7.5	2060	748	1260	(2) 12"	54,740	18' 6-3/8"	36' 2-1/2"	7' 7-3/4"	22-1/4"
eco-ATWB-H 10-4I36	51,820	18,880	74,120	(2) 10	141,990	(2) 7.5	2060	987	1260	(2) 12"	63,620	19' 2-7/8"	36' 2-1/2"	8' 4-1/4"	30-3/4"
eco-ATWB-H 10-4J36	51,540	18,880	74,380	(2) 15	162,540	(2) 7.5	2060	987	1260	(2) 12"	63,880	19' 2-7/8"	36' 2-1/2"	8' 4-1/4"	30-3/4"
eco-ATWB-H 10-4K36	51,660	18,880	74,500	(2) 20	178,900	(2) 7.5	2060	987	1260	(2) 12"	64,000	19' 2-7/8"	36' 2-1/2"	8' 4-1/4"	30-3/4"
eco-ATWB-H 10-4L36	51,720	18,880	74,560	(2) 25	192,710	(2) 7.5	2060	987	1260	(2) 12"	64,060	19' 2-7/8"	36' 2-1/2"	8' 4-1/4"	30-3/4"
eco-ATWB-H 10-4M36	51,820	18,880	74,660	(2) 30	202,970	(2) 7.5	2060	987	1260	(2) 12"	64,160	19' 2-7/8"	36' 2-1/2"	8' 4-1/4"	30-3/4"
eco-ATWB-H 10-4N36	52,140	18,880	74,980	(2) 40	219,990	(2) 7.5	2060	987	1260	(2) 12"	64,480	19' 2-7/8"	36' 2-1/2"	8' 4-1/4"	30-3/4"

† Model Numbers end in "-Z" for units with Series Flow piping configuration. Series Flow units may require additional coil connections and will require crossover piping.

†† Heaviest section is the ARID Fin-Pak™ section and Ellipti-fin® coil sections shipped mounted together.

* Gallons shown is water in suspension in unit and piping. Allow for additional water in bottom of remote sump to cover pump suction and strainer during operation (12" would normally be sufficient).

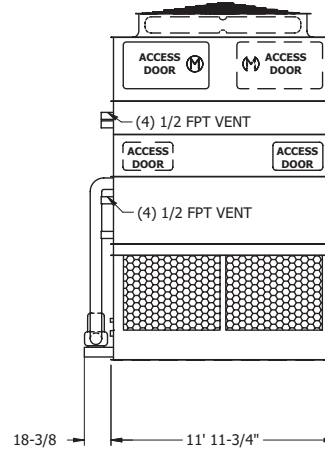
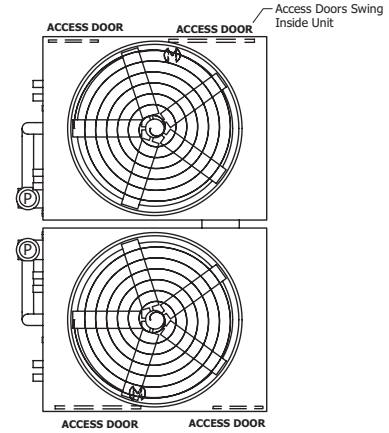
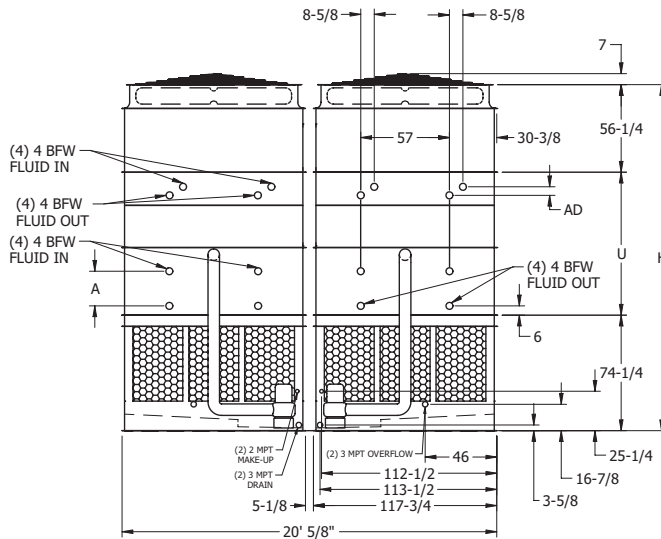
△ When a remote sump arrangement is selected, the spray pump, suction strainer and associated piping are omitted; the unit is provided with an oversized outlet to facilitate drainage to the remote sump.

■ Unit dimensions and coil connections may vary slightly from catalog. See factory certified prints for dimensions, quantity of coil connections, and piping configuration. Coil connections are 4" bevel for weld (BFW), also available as options. Other connection types such as grooved for mechanical coupling or flanged are also available as options.

Dry Coil Section Adds				
ARID Fin-Pak Coil Rows	Coil Volume (gallons)	Shipping Weight (lbs)	Operating Weight (lbs)	Coil AD (in.)
2	54	(2) 3,220	6,900	5-1/2"
4	111	(2) 4,300	9,530	5-1/2"
6	165	(2) 5,380	12,140	6-7/8"
8	221	(2) 6,460	14,770	9-1/2"

eco-ATWB-H 20-1112 to 20-4M12

Selections for eco-ATWB Closed Circuit Coolers are available from EVAPCO's **SPECTRUM™** Program. Please contact your local sales representative for more information on the **SPECTRUM™** program.



Note: The below table lists base unit dimensions and weights. See the table at the bottom right of the page for dry coil section dimensions and weight adds.
Note: The number of coil connections doubles when the flow rate exceeds 1,800 GPM on eco-ATWB-H 20x12 models. This required option is referred to as the High Flow coil configuration.

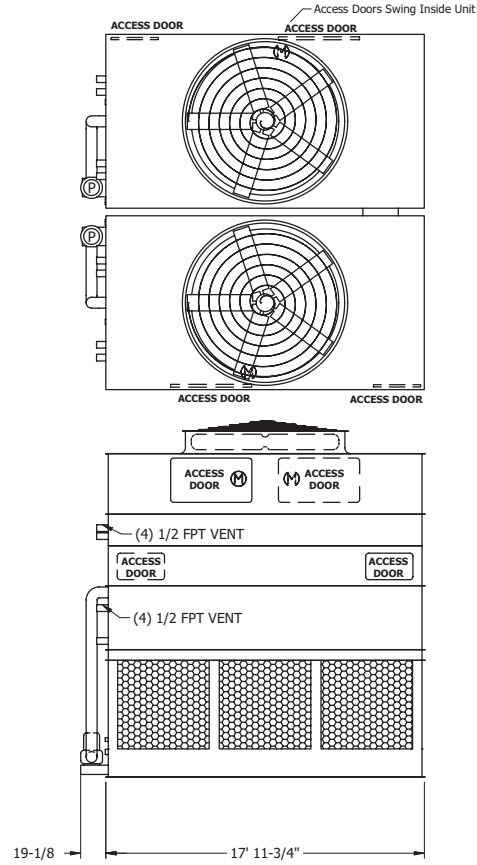
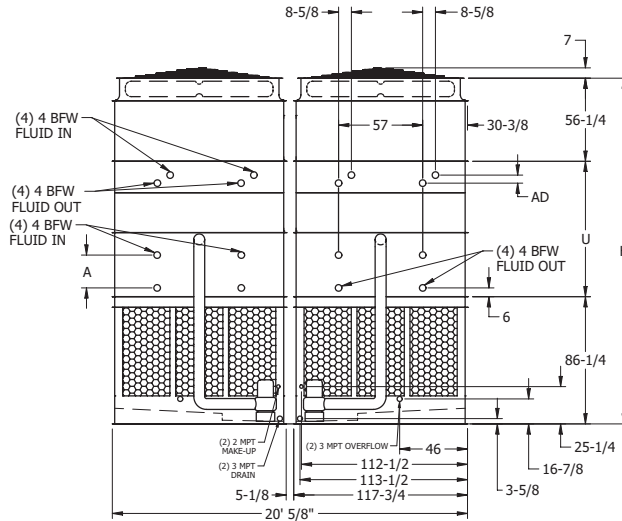
eco-ATWB-H Model Number†	Weights (lbs)			Fans		Spray Pump		Coil Volume (Gallons)	Remote Sump ▲			Dimensions ■			
	Shipping	Heaviest Section††	Operating	HP	CFM	HP	GPM		Gallons* Required	Conn. Size	Operating Weight (lbs)	Height H	Length L	Upper U	Coil A
eco-ATWB-H 20-1112	19,800	4,910	31,020	2 10	117,850	2 5	1370	190	840	2 12"	23,880	17' 1-5/8"	11' 11-3/4"	6' 3"	5-1/2"
eco-ATWB-H 20-1112	20,060	4,910	31,280	2 15	134,900	2 5	1370	190	840	2 12"	24,140	17' 1-5/8"	11' 11-3/4"	6' 3"	5-1/2"
eco-ATWB-H 20-1K12	20,180	4,910	31,400	2 20	147,130	2 5	1370	190	840	2 12"	24,260	17' 1-5/8"	11' 11-3/4"	6' 3"	5-1/2"
eco-ATWB-H 20-1L12	20,240	4,910	31,460	2 25	156,620	2 5	1370	190	840	2 12"	24,320	17' 1-5/8"	11' 11-3/4"	6' 3"	5-1/2"
eco-ATWB-H 20-1M12	20,340	4,910	31,560	2 30	164,820	2 5	1370	190	840	2 12"	24,420	17' 1-5/8"	11' 11-3/4"	6' 3"	5-1/2"
eco-ATWB-H 20-2112	25,440	7,730	37,980	2 10	114,600	2 5	1370	348	840	2 12"	30,840	17' 9-7/8"	11' 11-3/4"	6' 11-1/4"	13-3/4"
eco-ATWB-H 20-2112	25,700	7,730	38,240	2 15	131,190	2 5	1370	348	840	2 12"	31,100	17' 9-7/8"	11' 11-3/4"	6' 11-1/4"	13-3/4"
eco-ATWB-H 20-2K12	25,820	7,730	38,360	2 20	143,080	2 5	1370	348	840	2 12"	31,220	17' 9-7/8"	11' 11-3/4"	6' 11-1/4"	13-3/4"
eco-ATWB-H 20-2L12	25,880	7,730	38,420	2 25	152,310	2 5	1370	348	840	2 12"	31,280	17' 9-7/8"	11' 11-3/4"	6' 11-1/4"	13-3/4"
eco-ATWB-H 20-2M12	25,980	7,730	38,520	2 30	160,280	2 5	1370	348	840	2 12"	31,380	17' 9-7/8"	11' 11-3/4"	6' 11-1/4"	13-3/4"
eco-ATWB-H 20-3112	30,360	10,190	44,200	2 10	111,360	2 5	1370	506	840	2 12"	37,060	18' 6-3/8"	11' 11-3/4"	7' 7-3/4"	22-1/4"
eco-ATWB-H 20-3112	30,620	10,190	44,460	2 15	127,470	2 5	1370	506	840	2 12"	37,320	18' 6-3/8"	11' 11-3/4"	7' 7-3/4"	22-1/4"
eco-ATWB-H 20-3K12	30,740	10,190	44,580	2 20	139,030	2 5	1370	506	840	2 12"	37,440	18' 6-3/8"	11' 11-3/4"	7' 7-3/4"	22-1/4"
eco-ATWB-H 20-3L12	30,800	10,190	44,640	2 25	148,000	2 5	1370	506	840	2 12"	37,500	18' 6-3/8"	11' 11-3/4"	7' 7-3/4"	22-1/4"
eco-ATWB-H 20-3M12	30,900	10,190	44,740	2 30	155,750	2 5	1370	506	840	2 12"	37,600	18' 6-3/8"	11' 11-3/4"	7' 7-3/4"	22-1/4"
eco-ATWB-H 20-4112	35,560	12,790	50,720	2 10	108,120	2 5	1370	664	840	2 12"	43,580	19' 2-7/8"	11' 11-3/4"	8' 4-1/4"	30-3/4"
eco-ATWB-H 20-4112	35,820	12,790	50,980	2 15	123,760	2 5	1370	664	840	2 12"	43,840	19' 2-7/8"	11' 11-3/4"	8' 4-1/4"	30-3/4"
eco-ATWB-H 20-4K12	35,940	12,790	51,100	2 20	134,980	2 5	1370	664	840	2 12"	43,960	19' 2-7/8"	11' 11-3/4"	8' 4-1/4"	30-3/4"
eco-ATWB-H 20-4L12	36,000	12,790	51,160	2 25	143,690	2 5	1370	664	840	2 12"	44,020	19' 2-7/8"	11' 11-3/4"	8' 4-1/4"	30-3/4"
eco-ATWB-H 20-4M12	36,100	12,790	51,260	2 30	151,210	2 5	1370	664	840	2 12"	44,120	19' 2-7/8"	11' 11-3/4"	8' 4-1/4"	30-3/4"

† Model Numbers end in "-Z" for units with Series Flow piping configuration. Series Flow units may require additional coil connections and will require crossover piping.
 †† Heaviest section is the ARID Fin-Pak™ section and Ellipti-fin® coil sections shipped mounted together.
 * Gallons shown is water in suspension in unit and piping. Allow for additional water in bottom of remote sump to cover pump suction and strainer during operation (12" would normally be sufficient).
 ▲ When a remote sump arrangement is selected, the spray pump, suction strainer and associated piping are omitted; the unit is provided with an oversized outlet to facilitate drainage to the remote sump.
 ■ Unit dimensions and coil connections may vary slightly from catalog. See factory certified prints for dimensions, quantity of coil connections, and piping configuration. Coil connections are 4" bevel for weld (BFW), also available as options. Other connection types such as grooved for mechanical coupling or flanged are also available as options.

Dry Coil Section Adds				
ARID Fin-Pak Coil Rows	Coil Volume (gallons)	Shipping Weight (lbs)	Operating Weight (lbs)	Coil AD (in.)
2	36	2,430	5,160	5-1/2"
4	72	3,140	6,890	5-1/2"
6	111	3,860	8,630	6-7/8"
8	147	4,570	10,370	9-1/2"

eco-ATWB-H 20-1I18 to 20-4N18

Selections for eco-ATWB Closed Circuit Coolers are available from EVAPCO's **SPECTRUM™** Program. Please contact your local sales representative for more information on the **SPECTRUM™** program.



Note: The below table lists base unit dimensions and weights. See the table at the bottom Right of the Page for dry coil section dimensions and weight adds.
Note: The number of coil connections doubles when the flow rate exceeds 1,800 GPM on eco-ATWB-H 20x18 models. This required option is referred to as the High Flow coil configuration.

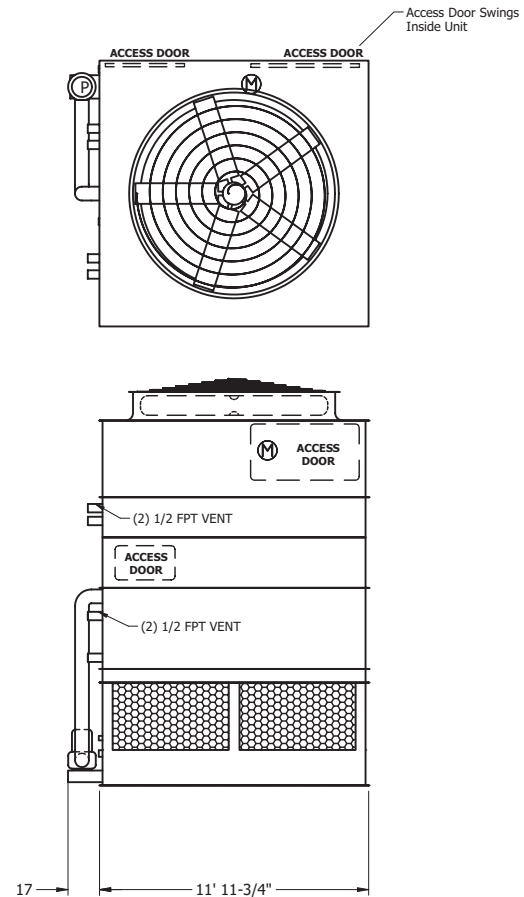
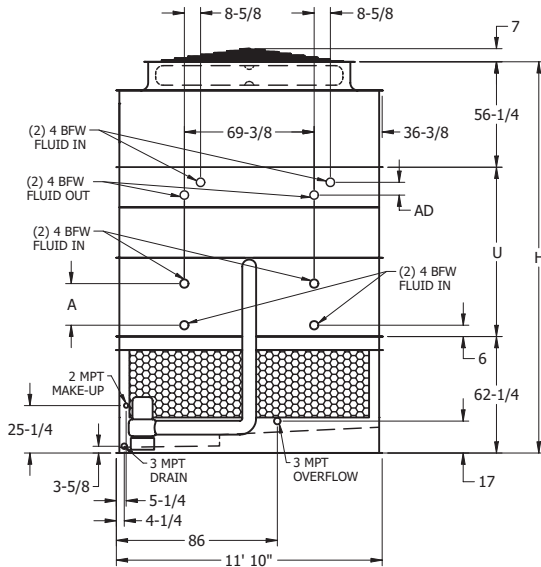
eco-ATWB-H Model Number†	Weights (lbs)			Fans		Spray Pump		Coil Volume (Gallons)	Remote Sump ▲			Dimensions ■			
	Shipping	Heaviest Section††	Operating	HP	CFM	HP	GPM		Gallons* Required	Conn. Size	Operating Weight (lbs)	Height H	Length L	Upper U	Coil A
eco-ATWB-H 20-1I18	27,560	7,000	44,420	2 10	154,770	2 7.5	2060	271	1260	2 12"	33,920	18' 1-5/8"	18' 0"	6' 3"	5-1/2"
eco-ATWB-H 20-1J18	27,820	7,000	44,680	2 15	177,170	2 7.5	2060	271	1260	2 12"	34,180	18' 1-5/8"	18' 0"	6' 3"	5-1/2"
eco-ATWB-H 20-1K18	27,940	7,000	44,800	2 20	195,000	2 7.5	2060	271	1260	2 12"	34,300	18' 1-5/8"	18' 0"	6' 3"	5-1/2"
eco-ATWB-H 20-1L18	28,000	7,000	44,860	2 25	210,060	2 7.5	2060	271	1260	2 12"	34,360	18' 1-5/8"	18' 0"	6' 3"	5-1/2"
eco-ATWB-H 20-1M18	28,100	7,000	44,960	2 30	221,240	2 7.5	2060	271	1260	2 12"	34,460	18' 1-5/8"	18' 0"	6' 3"	5-1/2"
eco-ATWB-H 20-1N18	28,420	7,000	45,280	2 40	239,790	2 7.5	2060	271	1260	2 12"	34,780	18' 1-5/8"	18' 0"	6' 3"	5-1/2"
eco-ATWB-H 20-2I18	36,060	11,250	54,920	2 10	150,510	2 7.5	2060	510	1260	2 12"	44,420	18' 9-7/8"	18' 0"	6' 11-1/4"	13-3/4"
eco-ATWB-H 20-2J18	36,320	11,250	55,180	2 15	172,290	2 7.5	2060	510	1260	2 12"	44,680	18' 9-7/8"	18' 0"	6' 11-1/4"	13-3/4"
eco-ATWB-H 20-2K18	36,440	11,250	55,300	2 20	189,630	2 7.5	2060	510	1260	2 12"	44,800	18' 9-7/8"	18' 0"	6' 11-1/4"	13-3/4"
eco-ATWB-H 20-2L18	36,500	11,250	55,360	2 25	204,280	2 7.5	2060	510	1260	2 12"	44,860	18' 9-7/8"	18' 0"	6' 11-1/4"	13-3/4"
eco-ATWB-H 20-2M18	36,600	11,250	55,460	2 30	215,150	2 7.5	2060	510	1260	2 12"	44,960	18' 9-7/8"	18' 0"	6' 11-1/4"	13-3/4"
eco-ATWB-H 20-2N18	36,920	11,250	55,780	2 40	233,190	2 7.5	2060	510	1260	2 12"	45,280	18' 9-7/8"	18' 0"	6' 11-1/4"	13-3/4"
eco-ATWB-H 20-3I18	43,580	15,010	64,420	2 10	146,250	2 7.5	2060	748	1260	2 12"	53,920	19' 6-3/8"	18' 0"	7' 7-3/4"	22-1/4"
eco-ATWB-H 20-3J18	43,840	15,010	64,680	2 15	167,420	2 7.5	2060	748	1260	2 12"	54,180	19' 6-3/8"	18' 0"	7' 7-3/4"	22-1/4"
eco-ATWB-H 20-3K18	43,960	15,010	64,800	2 20	184,270	2 7.5	2060	748	1260	2 12"	54,300	19' 6-3/8"	18' 0"	7' 7-3/4"	22-1/4"
eco-ATWB-H 20-3L18	44,020	15,010	64,860	2 25	198,490	2 7.5	2060	748	1260	2 12"	54,360	19' 6-3/8"	18' 0"	7' 7-3/4"	22-1/4"
eco-ATWB-H 20-3M18	44,120	15,010	64,960	2 30	209,060	2 7.5	2060	748	1260	2 12"	54,460	19' 6-3/8"	18' 0"	7' 7-3/4"	22-1/4"
eco-ATWB-H 20-3N18	44,440	15,010	65,280	2 40	226,590	2 7.5	2060	748	1260	2 12"	54,780	19' 6-3/8"	18' 0"	7' 7-3/4"	22-1/4"
eco-ATWB-H 20-4I18	51,320	18,880	74,160	2 10	141,990	2 7.5	2060	987	1260	2 12"	63,660	20' 2-7/8"	18' 0"	8' 4-1/4"	30-3/4"
eco-ATWB-H 20-4J18	51,580	18,880	74,420	2 15	162,540	2 7.5	2060	987	1260	2 12"	63,920	20' 2-7/8"	18' 0"	8' 4-1/4"	30-3/4"
eco-ATWB-H 20-4K18	51,700	18,880	74,540	2 20	178,900	2 7.5	2060	987	1260	2 12"	64,040	20' 2-7/8"	18' 0"	8' 4-1/4"	30-3/4"
eco-ATWB-H 20-4L18	51,760	18,880	74,600	2 25	192,710	2 7.5	2060	987	1260	2 12"	64,100	20' 2-7/8"	18' 0"	8' 4-1/4"	30-3/4"
eco-ATWB-H 20-4M18	51,860	18,880	74,700	2 30	202,970	2 7.5	2060	987	1260	2 12"	64,200	20' 2-7/8"	18' 0"	8' 4-1/4"	30-3/4"
eco-ATWB-H 20-4N18	52,180	18,880	75,020	2 40	219,990	2 7.5	2060	987	1260	2 12"	64,520	20' 2-7/8"	18' 0"	8' 4-1/4"	30-3/4"

† Model Numbers end in "Z" for units with Series Flow piping configuration. Series Flow units may require additional coil connections and will require crossover piping.
 †† Heaviest section is the ARID Fin-Pak™ section and Ellipti-fin® coil sections shipped mounted together.
 * Gallons shown is water in suspension in unit and piping. Allow for additional water in bottom of remote sump to cover pump suction and strainer during operation (12" would normally be sufficient).
 ▲ When a remote sump arrangement is selected, the spray pump, suction strainer and associated piping are omitted; the unit is provided with an oversized outlet to facilitate drainage to the remote sump.
 ■ Unit dimensions and coil connections may vary slightly from catalog. See factory certified prints for dimensions, quantity of coil connections, and piping configuration. Coil connections are 4" bevel for weld (BFW). also available as options. Other connection types such as grooved for mechanical coupling or flanged are also available as options.

Dry Coil Section Adds			
ARID Fin-Pak Coil Rows	Coil Volume (gallons)	Shipping Weight (lbs)	Coil AD (in.)
2	54	2 3,220	6,900
4	111	2 4,300	9,530
6	165	2 5,380	12,140
8	221	2 6,460	14,770

eco-ATWB-H 12-1J12 to 12-4N12

Selections for eco-ATWB Closed Circuit Coolers are available from EVAPCO's **SPECTRUM™** Program. Please contact your local sales representative for more information on the **SPECTRUM™** program.



Note: The below table lists base unit dimensions and weights. See the table at the bottom Right of the Page for dry coil section dimensions and weight adds.
Note: The number of coil connections doubles when the flow rate exceeds 900 GPM on eco-ATWB-H 12x12 models. This required option is referred to as the High Flow coil configuration.

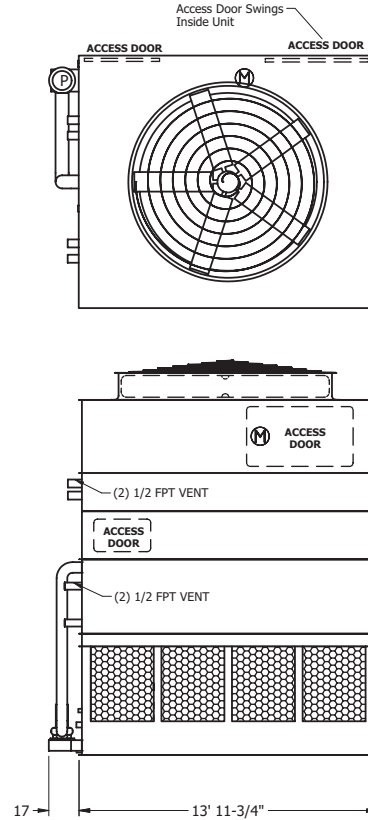
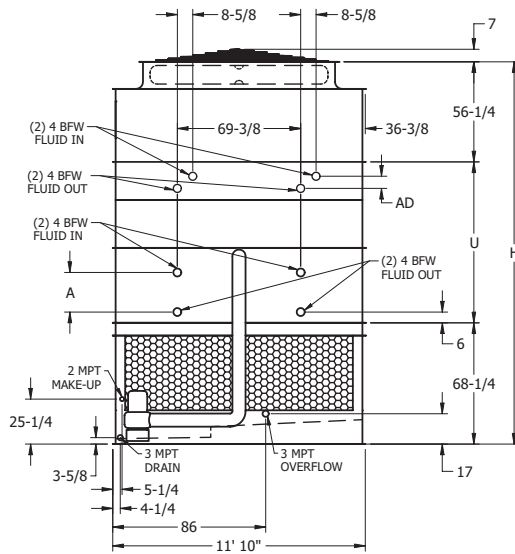
eco-ATWB-H Model Number†	Weights (lbs)			Fans		Spray Pump		Coil Volume (Gallons)	Remote Sump △			Dimensions ■			
	Shipping	Heaviest Section††	Operating	HP	CFM	HP	GPM		Gallons* Required	Conn. Size	Operating Weight (lbs)	Height H	Length L	Upper U	Coil A
eco-ATWB-H 12-1J12	10,940	5,400	17,510	15	76,720	5	800	117	490	12"	13,560	16' 1-5/8"	11' 11-3/4"	6' 3"	5-1/2"
eco-ATWB-H 12-1K12	11,000	5,400	17,570	20	84,440	5	800	117	490	12"	13,620	16' 1-5/8"	11' 11-3/4"	6' 3"	5-1/2"
eco-ATWB-H 12-1L12	11,030	5,400	17,600	25	89,990	5	800	117	490	12"	13,650	16' 1-5/8"	11' 11-3/4"	6' 3"	5-1/2"
eco-ATWB-H 12-1M12	11,080	5,400	17,650	30	94,710	5	800	117	490	12"	13,700	16' 1-5/8"	11' 11-3/4"	6' 3"	5-1/2"
eco-ATWB-H 12-2J12	14,230	8,690	21,610	15	74,610	5	800	214	490	12"	17,660	16' 9-7/8"	11' 11-3/4"	6' 11-1/4"	13-3/4"
eco-ATWB-H 12-2K12	14,290	8,690	21,670	20	82,120	5	800	214	490	12"	17,720	16' 9-7/8"	11' 11-3/4"	6' 11-1/4"	13-3/4"
eco-ATWB-H 12-2L12	14,320	8,690	21,700	25	87,520	5	800	214	490	12"	17,750	16' 9-7/8"	11' 11-3/4"	6' 11-1/4"	13-3/4"
eco-ATWB-H 12-2M12	14,370	8,690	21,750	30	92,100	5	800	214	490	12"	17,800	16' 9-7/8"	11' 11-3/4"	6' 11-1/4"	13-3/4"
eco-ATWB-H 12-3J12	17,380	11,840	25,570	15	72,500	5	800	312	490	12"	21,620	17' 6-3/8"	11' 11-3/4"	7' 7-3/4"	22-1/4"
eco-ATWB-H 12-3K12	17,440	11,840	25,630	20	79,790	5	800	312	490	12"	21,680	17' 6-3/8"	11' 11-3/4"	7' 7-3/4"	22-1/4"
eco-ATWB-H 12-3L12	17,470	11,840	25,660	25	85,040	5	800	312	490	12"	21,710	17' 6-3/8"	11' 11-3/4"	7' 7-3/4"	22-1/4"
eco-ATWB-H 12-3M12	17,520	11,840	25,710	30	89,490	5	800	312	490	12"	21,760	17' 6-3/8"	11' 11-3/4"	7' 7-3/4"	22-1/4"
eco-ATWB-H 12-4J12	20,570	15,030	29,580	15	70,390	5	800	409	490	12"	25,630	18' 2-7/8"	11' 11-3/4"	8' 4-1/4"	30-3/4"
eco-ATWB-H 12-4K12	20,630	15,030	29,640	20	77,470	5	800	409	490	12"	25,690	18' 2-7/8"	11' 11-3/4"	8' 4-1/4"	30-3/4"
eco-ATWB-H 12-4L12	20,660	15,030	29,670	25	82,560	5	800	409	490	12"	25,720	18' 2-7/8"	11' 11-3/4"	8' 4-1/4"	30-3/4"
eco-ATWB-H 12-4M12	20,710	15,030	29,720	30	86,890	5	800	409	490	12"	25,770	18' 2-7/8"	11' 11-3/4"	8' 4-1/4"	30-3/4"
eco-ATWB-H 12-4N12	20,870	15,030	29,880	40	94,180	5	800	409	490	12"	25,930	18' 2-7/8"	11' 11-3/4"	8' 4-1/4"	30-3/4"

† Model Numbers end in "-Z" for units with Series Flow piping configuration. Series Flow units may require additional coil connections and will require crossover piping.
 †† Heaviest section is the ARID Fin-Pak™ section and Ellipti-fin® coil sections shipped mounted together.
 * Gallons shown is water in suspension in unit and piping. Allow for additional water in bottom of remote sump to cover pump suction and strainer during operation [12" would normally be sufficient].
 △ When a remote sump arrangement is selected, the spray pump, suction strainer and associated piping are omitted; the unit is provided with an oversized outlet to facilitate drainage to the remote sump.
 ■ Unit dimensions and coil connections may vary slightly from catalog. See factory certified prints for dimensions, quantity of coil connections, and piping configuration. Coil connections are 4" bevel for weld (BFW); also available as options. Other connection types such as grooved for mechanical coupling or flanged are also available as options.

Dry Coil Section Adds				
ARID Fin-Pak Coil Rows	Coil Volume (gallons)	Shipping Weight (lbs)	Operating Weight (lbs)	Coil AD (in.)
2	22	2,820	3,010	5-1/2"
4	45	3,700	4,070	5-1/2"
6	67	4,570	5,130	6-7/8"
8	90	5,440	6,190	9-1/2"

eco-ATWB-H 12-1K14 to 12-4N14

Selections for eco-ATWB Closed Circuit Coolers are available from EVAPCO's **SPECTRUM™** Program. Please contact your local sales representative for more information on the **SPECTRUM™** program.



Note: The below table lists base unit dimensions and weights. See the table at the bottom Right of the Page for dry coil section dimensions and weight adds.
Note: The number of coil connections doubles when the flow rate exceeds 900 GPM on eco-ATWB-H 12x14 models. This required option is referred to as the High Flow coil configuration.

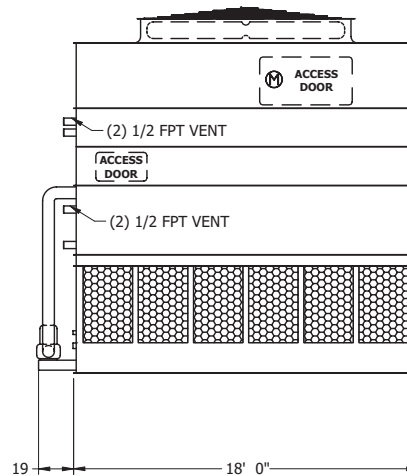
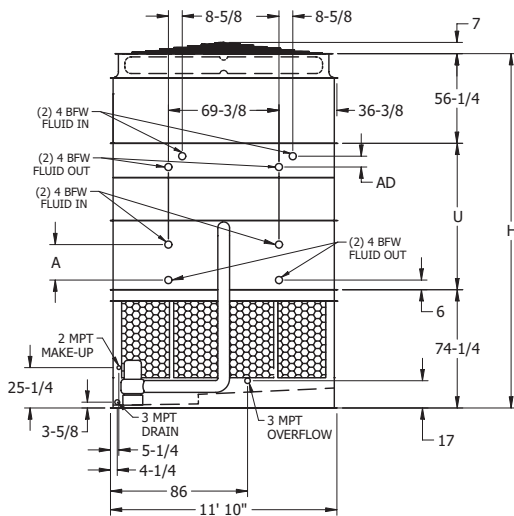
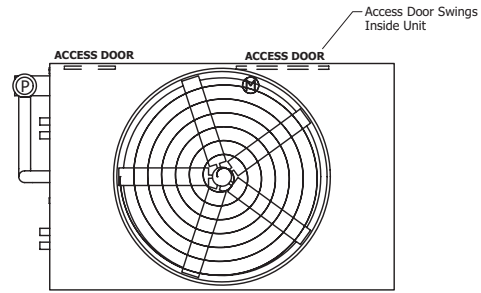
eco-ATWB-H Model Number†	Weights (lbs)			Fans		Spray Pump		Coil Volume (Gallons)	Remote Sump [△]			Dimensions [■]			
	Shipping	Heaviest Section††	Operating	HP	CFM	HP	GPM		Gallons* Required	Conn. Size	Operating Weight (lbs)	Height H	Length L	Upper U	Coil A
eco-ATWB-H 12-1K14	12,310	6,130	20,030	20	93,600	5	900	134	570	12"	15,460	16' 7-5/8"	13' 11-3/4"	6' 3"	5-1/2"
eco-ATWB-H 12-1L14	12,340	6,130	20,060	25	100,580	5	900	134	570	12"	15,490	16' 7-5/8"	13' 11-3/4"	6' 3"	5-1/2"
eco-ATWB-H 12-1M14	12,390	6,130	20,110	30	105,850	5	900	134	570	12"	15,540	16' 7-5/8"	13' 11-3/4"	6' 3"	5-1/2"
eco-ATWB-H 12-1N14	12,550	6,130	20,270	40	114,730	5	900	134	570	12"	15,700	16' 7-5/8"	13' 11-3/4"	6' 3"	5-1/2"
eco-ATWB-H 12-2K14	16,070	9,890	24,740	20	91,030	5	900	248	570	12"	20,170	17' 3-7/8"	13' 11-3/4"	6' 11-1/4"	13-3/4"
eco-ATWB-H 12-2L14	16,100	9,890	24,770	25	97,810	5	900	248	570	12"	20,200	17' 3-7/8"	13' 11-3/4"	6' 11-1/4"	13-3/4"
eco-ATWB-H 12-2M14	16,150	9,890	24,820	30	102,940	5	900	248	570	12"	20,250	17' 3-7/8"	13' 11-3/4"	6' 11-1/4"	13-3/4"
eco-ATWB-H 12-2N14	16,310	9,890	24,980	40	111,570	5	900	248	570	12"	20,410	17' 3-7/8"	13' 11-3/4"	6' 11-1/4"	13-3/4"
eco-ATWB-H 12-3K14	19,820	13,640	29,440	20	88,450	5	900	362	570	12"	24,870	18' 3/8"	13' 11-3/4"	7' 7-3/4"	22-1/4"
eco-ATWB-H 12-3L14	19,850	13,640	29,470	25	95,050	5	900	362	570	12"	24,900	18' 3/8"	13' 11-3/4"	7' 7-3/4"	22-1/4"
eco-ATWB-H 12-3M14	19,900	13,640	29,520	30	100,020	5	900	362	570	12"	24,950	18' 3/8"	13' 11-3/4"	7' 7-3/4"	22-1/4"
eco-ATWB-H 12-3N14	20,060	13,640	29,680	40	108,410	5	900	362	570	12"	25,110	18' 3/8"	13' 11-3/4"	7' 7-3/4"	22-1/4"
eco-ATWB-H 12-4K14	23,540	17,360	34,110	20	85,870	5	900	476	570	12"	29,540	18' 8-7/8"	13' 11-3/4"	8' 4-1/4"	30-3/4"
eco-ATWB-H 12-4L14	23,570	17,360	34,140	25	92,280	5	900	476	570	12"	29,570	18' 8-7/8"	13' 11-3/4"	8' 4-1/4"	30-3/4"
eco-ATWB-H 12-4M14	23,620	17,360	34,190	30	97,110	5	900	476	570	12"	29,620	18' 8-7/8"	13' 11-3/4"	8' 4-1/4"	30-3/4"
eco-ATWB-H 12-4N14	23,780	17,360	34,350	40	105,260	5	900	476	570	12"	29,780	18' 8-7/8"	13' 11-3/4"	8' 4-1/4"	30-3/4"

† Model Numbers end in "-Z" for units with Series Flow piping configuration. Series Flow units may require additional coil connections and will require crossover piping.
 †† Heaviest section is the ARID Fin-Pak™ section and Ellipti-fin® coil sections shipped mounted together.
 * Gallons shown is water in suspension in unit and piping. Allow for additional water in bottom of remote sump to cover pump suction and strainer during operation (12" would normally be sufficient).
 △ When a remote sump arrangement is selected, the spray pump, suction strainer and associated piping are omitted; the unit is provided with an oversized outlet to facilitate drainage to the remote sump.
 ■ Unit dimensions and coil connections may vary slightly from catalog. See factory certified prints for dimensions, quantity of coil connections, and piping configuration. Coil connections are 4" bevel for weld (BFW), also available as options. Other connection types such as grooved for mechanical coupling or flanged are also available as options.

Dry Coil Section Adds				
ARID Fin-Pak Coil Rows	Coil Volume (gallons)	Shipping Weight (lbs)	Operating Weight (lbs)	Coil AD (in.)
2	27	3,120	3,350	5-1/2"
4	52	4,150	4,580	5-1/2"
6	79	5,180	5,840	6-7/8"
8	105	6,200	7,070	9-1/2"

eco-ATWB-H 12-1K18 to 12-4O18

Selections for eco-ATWB Closed Circuit Coolers are available from EVAPCO's **SPECTRUM™** Program. Please contact your local sales representative for more information on the **SPECTRUM™** program.



Note: The below table lists base unit dimensions and weights. See the table at the bottom Right of the Page for dry coil section dimensions and weight adds.
Note: The number of coil connections doubles when the flow rate exceeds 900 GPM on eco-ATWB-H 12x18 models. This required option is referred to as the High Flow coil configuration.

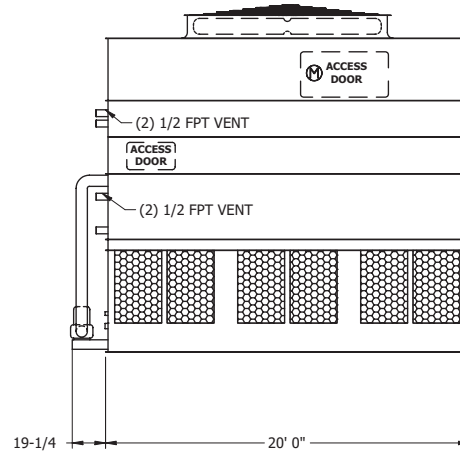
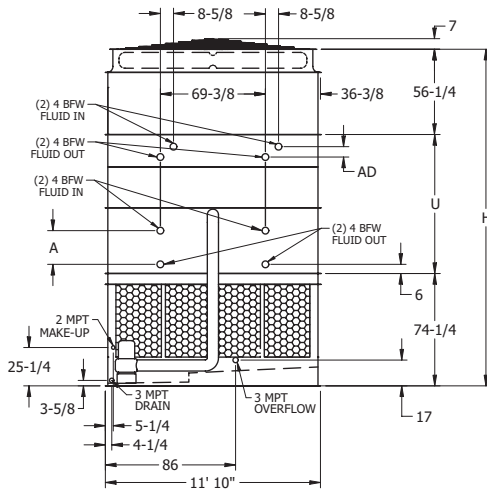
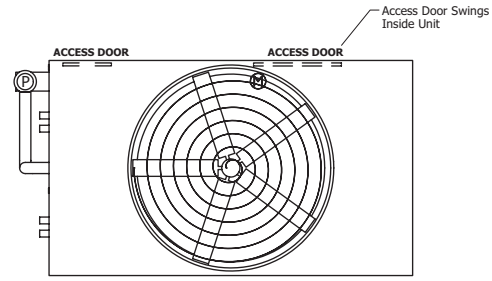
eco-ATWB-H Model Number†	Weights (lbs)			Fans		Spray Pump		Coil Volume (Gallons)	Remote Sump △			Dimensions ■			
	Shipping	Heaviest Section††	Operating	HP	CFM	HP	GPM		Gallons* Required	Conn. Size	Operating Weight (lbs)	Height H	Length L	Upper U	Coil A
eco-ATWB-H 12-1K18	15,350	7,760	25,090	20	114,330	7.5	1200	167	720	12"	19,220	17' 1-5/8"	18' 0"	6' 3"	5-1/2"
eco-ATWB-H 12-1L18	15,380	7,760	25,120	25	123,160	7.5	1200	167	720	12"	19,250	17' 1-5/8"	18' 0"	6' 3"	5-1/2"
eco-ATWB-H 12-1M18	15,430	7,760	25,170	30	130,880	7.5	1200	167	720	12"	19,300	17' 1-5/8"	18' 0"	6' 3"	5-1/2"
eco-ATWB-H 12-1N18	15,590	7,760	25,330	40	142,040	7.5	1200	167	720	12"	19,460	17' 1-5/8"	18' 0"	6' 3"	5-1/2"
eco-ATWB-H 12-2K18	20,360	12,770	31,330	20	111,190	7.5	1200	314	720	12"	25,460	17' 9-7/8"	18' 0"	6' 11-1/4"	13-3/4"
eco-ATWB-H 12-2L18	20,390	12,770	31,360	25	119,770	7.5	1200	314	720	12"	25,490	17' 9-7/8"	18' 0"	6' 11-1/4"	13-3/4"
eco-ATWB-H 12-2M18	20,440	12,770	31,410	30	127,280	7.5	1200	314	720	12"	25,540	17' 9-7/8"	18' 0"	6' 11-1/4"	13-3/4"
eco-ATWB-H 12-2N18	20,600	12,770	31,570	40	138,130	7.5	1200	314	720	12"	25,700	17' 9-7/8"	18' 0"	6' 11-1/4"	13-3/4"
eco-ATWB-H 12-3K18	25,050	17,460	37,250	20	108,040	7.5	1200	461	720	12"	31,380	18' 6-3/8"	18' 0"	7' 7-3/4"	22-1/4"
eco-ATWB-H 12-3L18	25,080	17,460	37,280	25	116,380	7.5	1200	461	720	12"	31,410	18' 6-3/8"	18' 0"	7' 7-3/4"	22-1/4"
eco-ATWB-H 12-3M18	25,130	17,460	37,330	30	123,680	7.5	1200	461	720	12"	31,460	18' 6-3/8"	18' 0"	7' 7-3/4"	22-1/4"
eco-ATWB-H 12-3N18	25,290	17,460	37,490	40	134,230	7.5	1200	461	720	12"	31,620	18' 6-3/8"	18' 0"	7' 7-3/4"	22-1/4"
eco-ATWB-H 12-4K18	29,800	22,210	43,230	20	104,890	7.5	1200	608	720	12"	37,360	19' 2-7/8"	18' 0"	8' 4-1/4"	30-3/4"
eco-ATWB-H 12-4L18	29,830	22,210	43,260	25	112,990	7.5	1200	608	720	12"	37,390	19' 2-7/8"	18' 0"	8' 4-1/4"	30-3/4"
eco-ATWB-H 12-4M18	29,880	22,210	43,310	30	120,070	7.5	1200	608	720	12"	37,440	19' 2-7/8"	18' 0"	8' 4-1/4"	30-3/4"
eco-ATWB-H 12-4N18	30,040	22,210	43,470	40	130,320	7.5	1200	608	720	12"	37,600	19' 2-7/8"	18' 0"	8' 4-1/4"	30-3/4"
eco-ATWB-H 12-4O18	30,050	22,210	43,480	50	138,720	7.5	1200	608	720	12"	37,610	19' 2-7/8"	18' 0"	8' 4-1/4"	30-3/4"

- † Model Numbers end in "-Z" for units with Series Flow piping configuration. Series Flow units may require additional coil connections and will require crossover piping.
- †† Heaviest section is the ARID Fin-Pak™ section and Ellipti-fin® coil sections shipped mounted together.
- * Gallons shown is water in suspension in unit and piping. Allow for additional water in bottom of remote sump to cover pump suction and strainer during operation (12" would normally be sufficient).
- △ When a remote sump arrangement is selected, the spray pump, suction strainer and associated piping are omitted; the unit is provided with an oversized outlet to facilitate drainage to the remote sump.
- Unit dimensions and coil connections may vary slightly from catalog. See factory certified prints for dimensions, quantity of coil connections, and piping configuration. Coil connections are 4" bevel for weld (BFW), also available as options. Other connection types such as grooved for mechanical coupling or flanged are also available as options.

Dry Coil Section Adds				
ARID Fin-Pak Coil Rows	Coil Volume (gallons)	Shipping Weight (lbs)	Operating Weight (lbs)	Coil AD (in.)
2	34	3,730	4,010	5-1/2"
4	67	5,050	5,610	5-1/2"
6	102	6,380	7,230	6-7/8"
8	136	7,720	8,850	9-1/2"

eco-ATWB-H 12-1L20 to 12-4O20

Selections for eco-ATWB Closed Circuit Coolers are available from EVAPCO's **SPECTRUM™** Program. Please contact your local sales representative for more information on the **SPECTRUM™** program.



Note: The below table lists base unit dimensions and weights. See the table at the bottom Right of the Page for dry coil section dimensions and weight adds.

Note: The number of coil connections doubles when the flow rate exceeds 900 GPM on eco-ATWB-H 12x20 models. This required option is referred to as the High Flow coil configuration.

eco-ATWB-H Model Number†	Weights (lbs)			Fans		Spray Pump		Coil Volume (Gallons)	Remote Sump Δ			Dimensions \blacksquare			
	Shipping	Heaviest Section††	Operating	HP	CFM	HP	GPM		Gallons* Required	Conn. Size	Operating Weight (lbs)	Height H	Length L	Upper U	Coil A
eco-ATWB-H 12-1L20	16,880	8,490	27,840	25	132,130	10	1400	183	800	14"	21,140	17' 1-5/8"	20' 0"	6' 3"	5-1/2"
eco-ATWB-H 12-1M20	16,930	8,490	27,890	30	140,410	10	1400	183	800	14"	21,190	17' 1-5/8"	20' 0"	6' 3"	5-1/2"
eco-ATWB-H 12-1N20	17,090	8,490	28,050	40	153,250	10	1400	183	800	14"	21,350	17' 1-5/8"	20' 0"	6' 3"	5-1/2"
eco-ATWB-H 12-1O20	17,100	8,490	28,060	50	163,130	10	1400	183	800	14"	21,360	17' 1-5/8"	20' 0"	6' 3"	5-1/2"
eco-ATWB-H 12-2L20	22,350	13,960	34,680	25	128,500	10	1400	347	800	14"	27,980	17' 9-7/8"	20' 0"	6' 11-1/4"	13-3/4"
eco-ATWB-H 12-2M20	22,400	13,960	34,730	30	136,550	10	1400	347	800	14"	28,030	17' 9-7/8"	20' 0"	6' 11-1/4"	13-3/4"
eco-ATWB-H 12-2N20	22,560	13,960	34,890	40	149,030	10	1400	347	800	14"	28,190	17' 9-7/8"	20' 0"	6' 11-1/4"	13-3/4"
eco-ATWB-H 12-2O20	22,570	13,960	34,900	50	158,640	10	1400	347	800	14"	28,200	17' 9-7/8"	20' 0"	6' 11-1/4"	13-3/4"
eco-ATWB-H 12-3L20	27,650	19,260	41,340	25	124,860	10	1400	511	800	14"	34,640	18' 6-3/8"	20' 0"	7' 7-3/4"	22-1/4"
eco-ATWB-H 12-3M20	27,700	19,260	41,390	30	132,680	10	1400	511	800	14"	34,690	18' 6-3/8"	20' 0"	7' 7-3/4"	22-1/4"
eco-ATWB-H 12-3N20	27,860	19,260	41,550	40	144,810	10	1400	511	800	14"	34,850	18' 6-3/8"	20' 0"	7' 7-3/4"	22-1/4"
eco-ATWB-H 12-3O20	27,870	19,260	41,560	50	154,150	10	1400	511	800	14"	34,860	18' 6-3/8"	20' 0"	7' 7-3/4"	22-1/4"
eco-ATWB-H 12-4L20	32,890	24,500	47,950	25	121,220	10	1400	675	800	14"	41,250	19' 2-7/8"	20' 0"	8' 4-1/4"	30-3/4"
eco-ATWB-H 12-4M20	32,940	24,500	48,000	30	128,820	10	1400	675	800	14"	41,300	19' 2-7/8"	20' 0"	8' 4-1/4"	30-3/4"
eco-ATWB-H 12-4N20	33,100	24,500	48,160	40	140,590	10	1400	675	800	14"	41,460	19' 2-7/8"	20' 0"	8' 4-1/4"	30-3/4"
eco-ATWB-H 12-4O20	33,110	24,500	48,170	50	149,660	10	1400	675	800	14"	41,470	19' 2-7/8"	20' 0"	8' 4-1/4"	30-3/4"

† Model Numbers end in "-Z" for units with Series Flow piping configuration. Series Flow units may require additional coil connections and will require crossover piping.

†† Heaviest section is the ARID Fin-Pak™ section and Ellipti-fin® coil sections shipped mounted together.

* Gallons shown is water in suspension in unit and piping. Allow for additional water in bottom of remote sump to cover pump suction and strainer during operation (12" would normally be sufficient).

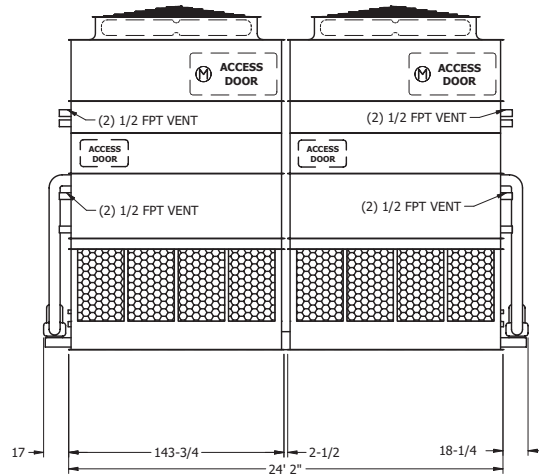
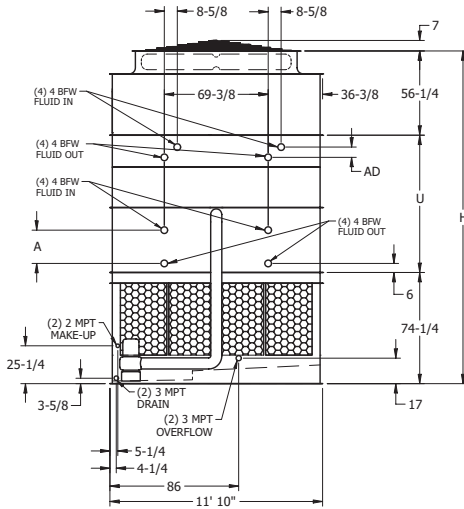
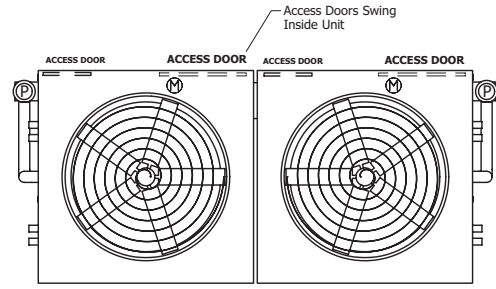
Δ When a remote sump arrangement is selected, the spray pump, suction strainer and associated piping are omitted; the unit is provided with an oversized outlet to facilitate drainage to the remote sump.

\blacksquare Unit dimensions and coil connections may vary slightly from catalog. See factory certified prints for dimensions, quantity of coil connections, and piping configuration. Coil connections are 4" bevel for weld (BFW), also available as options. Other connection types such as grooved for mechanical coupling or flanged are also available as options.

Dry Coil Section Adds				
ARID Fin-Pak Coil Rows	Coil Volume (gallons)	Shipping Weight (lbs)	Operating Weight (lbs)	Coil AD (in.)
2	37	4,030	4,340	5-1/2"
4	76	5,510	6,140	5-1/2"
6	114	6,990	7,930	6-7/8"
8	151	8,460	9,720	9-1/2"

eco-ATWB-H 12-1J24 to 12-4N24

Selections for eco-ATWB Closed Circuit Coolers are available from EVAPCO's **SPECTRUM™** Program. Please contact your local sales representative for more information on the **SPECTRUM™** program.



Note: The below table lists base unit dimensions and weights. See the table at the bottom Right of the Page for dry coil section dimensions and weight adds.
Note: The number of coil connections doubles when the flow rate exceeds 1,800 GPM on eco-ATWB-H 12x24 models. This required option is referred to as the High Flow coil configuration.

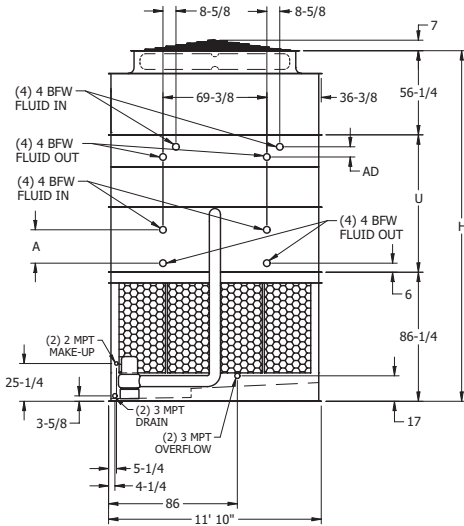
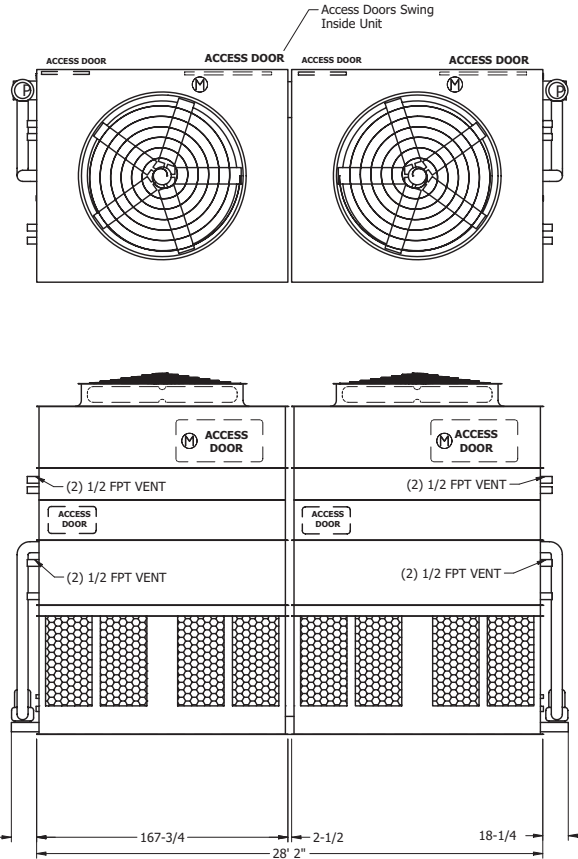
eco-ATWB-H Model Number†	Weights (lbs)			Fans		Spray Pump		Coil Volume (Gallons)	Remote Sump △			Dimensions ■			
	Shipping	Heaviest Section††	Operating	HP	CFM	HP	GPM		Gallons* Required	Conn. Size	Operating Weight (lbs)	Height H	Length L	Upper U	Coil A
eco-ATWB-H 12-1J24	21,720	5,320	34,860	[2] 15	153,440	[2] 5	1600	234	980	[2] 12"	26,960	17' 1-5/8"	24' 2"	6' 3"	5-1/2"
eco-ATWB-H 12-1K24	21,840	5,320	34,980	[2] 20	168,880	[2] 5	1600	234	980	[2] 12"	27,080	17' 1-5/8"	24' 2"	6' 3"	5-1/2"
eco-ATWB-H 12-1L24	21,900	5,320	35,040	[2] 25	179,990	[2] 5	1600	234	980	[2] 12"	27,140	17' 1-5/8"	24' 2"	6' 3"	5-1/2"
eco-ATWB-H 12-1M24	22,000	5,320	35,140	[2] 30	189,420	[2] 5	1600	234	980	[2] 12"	27,240	17' 1-5/8"	24' 2"	6' 3"	5-1/2"
eco-ATWB-H 12-2J24	28,380	8,650	43,140	[2] 15	149,220	[2] 5	1600	428	980	[2] 12"	35,240	17' 9-7/8"	24' 2"	6' 11-1/4"	13-3/4"
eco-ATWB-H 12-2K24	28,500	8,650	43,260	[2] 20	164,240	[2] 5	1600	428	980	[2] 12"	35,360	17' 9-7/8"	24' 2"	6' 11-1/4"	13-3/4"
eco-ATWB-H 12-2L24	28,560	8,650	43,320	[2] 25	175,030	[2] 5	1600	428	980	[2] 12"	35,420	17' 9-7/8"	24' 2"	6' 11-1/4"	13-3/4"
eco-ATWB-H 12-2M24	28,660	8,650	43,420	[2] 30	184,200	[2] 5	1600	428	980	[2] 12"	35,520	17' 9-7/8"	24' 2"	6' 11-1/4"	13-3/4"
eco-ATWB-H 12-3J24	34,760	11,840	51,140	[2] 15	145,000	[2] 5	1600	623	980	[2] 12"	43,240	18' 6-3/8"	24' 2"	7' 7-3/4"	22-1/4"
eco-ATWB-H 12-3K24	34,880	11,840	51,260	[2] 20	159,590	[2] 5	1600	623	980	[2] 12"	43,360	18' 6-3/8"	24' 2"	7' 7-3/4"	22-1/4"
eco-ATWB-H 12-3L24	34,940	11,840	51,320	[2] 25	170,080	[2] 5	1600	623	980	[2] 12"	43,420	18' 6-3/8"	24' 2"	7' 7-3/4"	22-1/4"
eco-ATWB-H 12-3M24	35,040	11,840	51,420	[2] 30	178,990	[2] 5	1600	623	980	[2] 12"	43,520	18' 6-3/8"	24' 2"	7' 7-3/4"	22-1/4"
eco-ATWB-H 12-4K24	41,260	15,030	59,280	[2] 20	154,940	[2] 5	1600	818	980	[2] 12"	51,380	19' 2-7/8"	24' 2"	8' 4-1/4"	30-3/4"
eco-ATWB-H 12-4L24	41,320	15,030	59,340	[2] 25	165,130	[2] 5	1600	818	980	[2] 12"	51,440	19' 2-7/8"	24' 2"	8' 4-1/4"	30-3/4"
eco-ATWB-H 12-4M24	41,420	15,030	59,440	[2] 30	173,780	[2] 5	1600	818	980	[2] 12"	51,540	19' 2-7/8"	24' 2"	8' 4-1/4"	30-3/4"
eco-ATWB-H 12-4N24	41,740	15,030	59,760	[2] 40	188,350	[2] 5	1600	818	980	[2] 12"	51,860	19' 2-7/8"	24' 2"	8' 4-1/4"	30-3/4"

- † Model Numbers end in "-Z" for units with Series Flow piping configuration. Series Flow units may require additional coil connections and will require crossover piping.
- †† Heaviest section is the ARID Fin-Pak™ section and Ellipti-fin® coil sections shipped mounted together.
- * Gallons shown is water in suspension in unit and piping. Allow for additional water in bottom of remote sump to cover pump suction and strainer during operation (12" would normally be sufficient).
- △ When a remote sump arrangement is selected, the spray pump, suction strainer and associated piping are omitted; the unit is provided with an oversized outlet to facilitate drainage to the remote sump.
- Unit dimensions and coil connections may vary slightly from catalog. See factory certified prints for dimensions, quantity of coil connections, and piping configuration. Coil connections are 4" bevel for weld (BFW), also available as options. Other connection types such as grooved for mechanical coupling or flanged are also available as options.

Dry Coil Section Adds				
ARID Fin-Pak Coil Rows	Coil Volume (gallons)	Shipping Weight (lbs)	Operating Weight (lbs)	Coil AD (in.)
2	45	[2] 2820	6010	5-1/2"
4	90	[2] 3700	8140	5-1/2"
6	135	[2] 4570	10260	6-7/8"
8	180	[2] 5440	12380	9-1/2"

eco-ATWB-H 12-1K28 to 12-4N28

Selections for eco-ATWB Closed Circuit Coolers are available from EVAPCO's **SPECTRUM™** Program. Please contact your local sales representative for more information on the **SPECTRUM™** program.



Note: The below table lists base unit dimensions and weights. See the table at the bottom Right of the Page for dry coil section dimensions and weight adds.
Note: The number of coil connections doubles when the flow rate exceeds 1,800 GPM on eco-ATWB-H 12x28 models. This required option is referred to as the High Flow coil configuration.

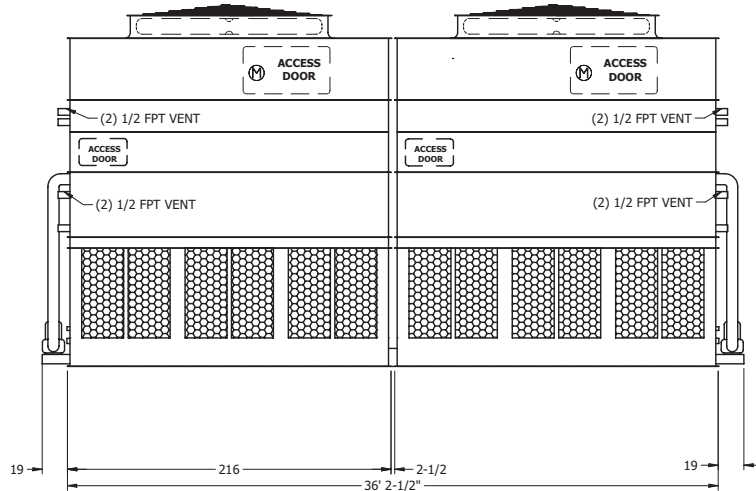
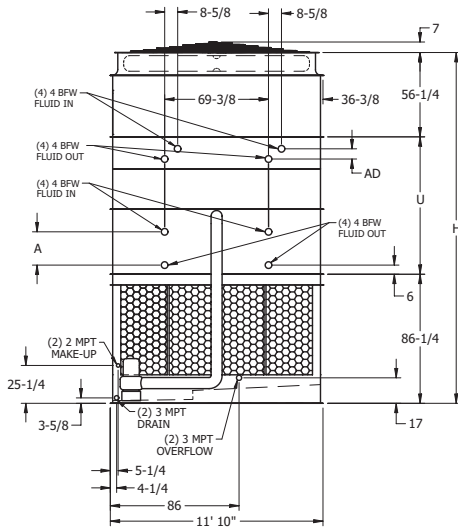
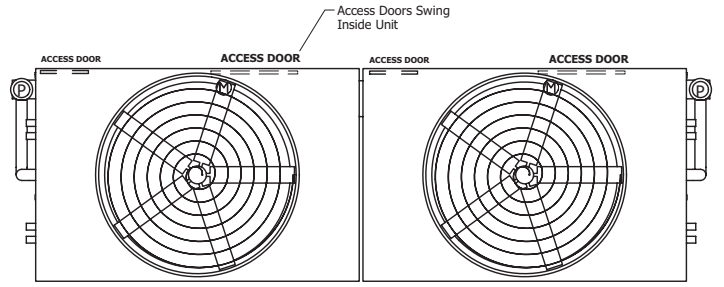
eco-ATWB-H Model Number†	Weights (lbs)			Fans		Spray Pump		Coil Volume (Gallons)	Remote Sump [△]			Dimensions [■]			
	Shipping	Heaviest Section††	Operating	HP	CFM	HP	GPM		Gallons* Required	Conn. Size	Operating Weight (lbs)	Height H	Length L	Upper U	Coil A
eco-ATWB-H 12-1K28	24,420	6,030	39,860	(2) 20	187,210	(2) 5	1800	267	1140	(2) 12"	30,720	18' 1-5/8"	28' 2"	6' 3"	5-1/2"
eco-ATWB-H 12-1L28	24,480	6,030	39,920	(2) 25	201,170	(2) 5	1800	267	1140	(2) 12"	30,780	18' 1-5/8"	28' 2"	6' 3"	5-1/2"
eco-ATWB-H 12-1M28	24,580	6,030	40,020	(2) 30	211,700	(2) 5	1800	267	1140	(2) 12"	30,880	18' 1-5/8"	28' 2"	6' 3"	5-1/2"
eco-ATWB-H 12-1N28	24,900	6,030	40,340	(2) 40	229,460	(2) 5	1800	267	1140	(2) 12"	31,200	18' 1-5/8"	28' 2"	6' 3"	5-1/2"
eco-ATWB-H 12-2K28	32,020	9,830	49,360	(2) 20	182,050	(2) 5	1800	495	1140	(2) 12"	40,220	18' 9-7/8"	28' 2"	6' 11-1/4"	13-3/4"
eco-ATWB-H 12-2L28	32,080	9,830	49,420	(2) 25	195,630	(2) 5	1800	495	1140	(2) 12"	40,280	18' 9-7/8"	28' 2"	6' 11-1/4"	13-3/4"
eco-ATWB-H 12-2M28	32,180	9,830	49,520	(2) 30	205,880	(2) 5	1800	495	1140	(2) 12"	40,380	18' 9-7/8"	28' 2"	6' 11-1/4"	13-3/4"
eco-ATWB-H 12-2N28	32,500	9,830	49,840	(2) 40	223,140	(2) 5	1800	495	1140	(2) 12"	40,700	18' 9-7/8"	28' 2"	6' 11-1/4"	13-3/4"
eco-ATWB-H 12-3K28	39,640	13,640	58,880	(2) 20	176,900	(2) 5	1800	723	1140	(2) 12"	49,740	19' 6-3/8"	28' 2"	7' 7-3/4"	22-1/4"
eco-ATWB-H 12-3L28	39,700	13,640	58,940	(2) 25	190,090	(2) 5	1800	723	1140	(2) 12"	49,800	19' 6-3/8"	28' 2"	7' 7-3/4"	22-1/4"
eco-ATWB-H 12-3M28	39,800	13,640	59,040	(2) 30	200,050	(2) 5	1800	723	1140	(2) 12"	49,900	19' 6-3/8"	28' 2"	7' 7-3/4"	22-1/4"
eco-ATWB-H 12-3N28	40,120	13,640	59,360	(2) 40	216,830	(2) 5	1800	723	1140	(2) 12"	50,220	19' 6-3/8"	28' 2"	7' 7-3/4"	22-1/4"
eco-ATWB-H 12-4K28	47,080	17,360	68,220	(2) 20	171,750	(2) 5	1800	951	1140	(2) 12"	59,080	20' 2-7/8"	28' 2"	8' 4-1/4"	30-3/4"
eco-ATWB-H 12-4L28	47,140	17,360	68,280	(2) 25	184,560	(2) 5	1800	951	1140	(2) 12"	59,140	20' 2-7/8"	28' 2"	8' 4-1/4"	30-3/4"
eco-ATWB-H 12-4M28	47,240	17,360	68,380	(2) 30	194,220	(2) 5	1800	951	1140	(2) 12"	59,240	20' 2-7/8"	28' 2"	8' 4-1/4"	30-3/4"
eco-ATWB-H 12-4N28	47,560	17,360	68,700	(2) 40	210,510	(2) 5	1800	951	1140	(2) 12"	59,560	20' 2-7/8"	28' 2"	8' 4-1/4"	30-3/4"

- † Model Numbers end in "-Z" for units with Series Flow piping configuration. Series Flow units may require additional coil connections and will require crossover piping.
- †† Heaviest section is the ARID Fin-Pak™ section and Ellipti-fin® coil sections shipped mounted together.
- * Gallons shown is water in suspension in unit and piping. Allow for additional water in bottom of remote sump to cover pump suction and strainer during operation (12" would normally be sufficient).
- △ When a remote sump arrangement is selected, the spray pump, suction strainer and associated piping are omitted; the unit is provided with an oversized outlet to facilitate drainage to the remote sump.
- Unit dimensions and coil connections may vary slightly from catalog. See factory certified prints for dimensions, quantity of coil connections, and piping configuration. Coil connections are 4" bevel for weld (BFW), also available as options. Other connection types such as grooved for mechanical coupling or flanged are also available as options.

Dry Coil Section Adds				
ARID Fin-Pak Coil Rows	Coil Volume (gallons)	Shipping Weight (lbs)	Operating Weight (lbs)	Coil AD (in.)
2	54	(2) 3,120	6,690	5-1/2"
4	105	(2) 4,150	9,170	5-1/2"
6	159	(2) 5,180	11,680	6-7/8"
8	209	(2) 6,200	14,140	9-1/2"

eco-ATWB-H 12-1K36 to 12-4O36

Selections for eco-ATWB Closed Circuit Coolers are available from EVAPCO's SPECTRUM™ Program. Please contact your local sales representative for more information on the SPECTRUM™ program.



Note: The below table lists base unit dimensions and weights. See the table at the bottom Right of the Page for dry coil section dimensions and weight adds.
Note: The number of coil connections doubles when the flow rate exceeds 1,800 GPM on eco-ATWB-H 12x36 models. This required option is referred to as the High Flow coil configuration.

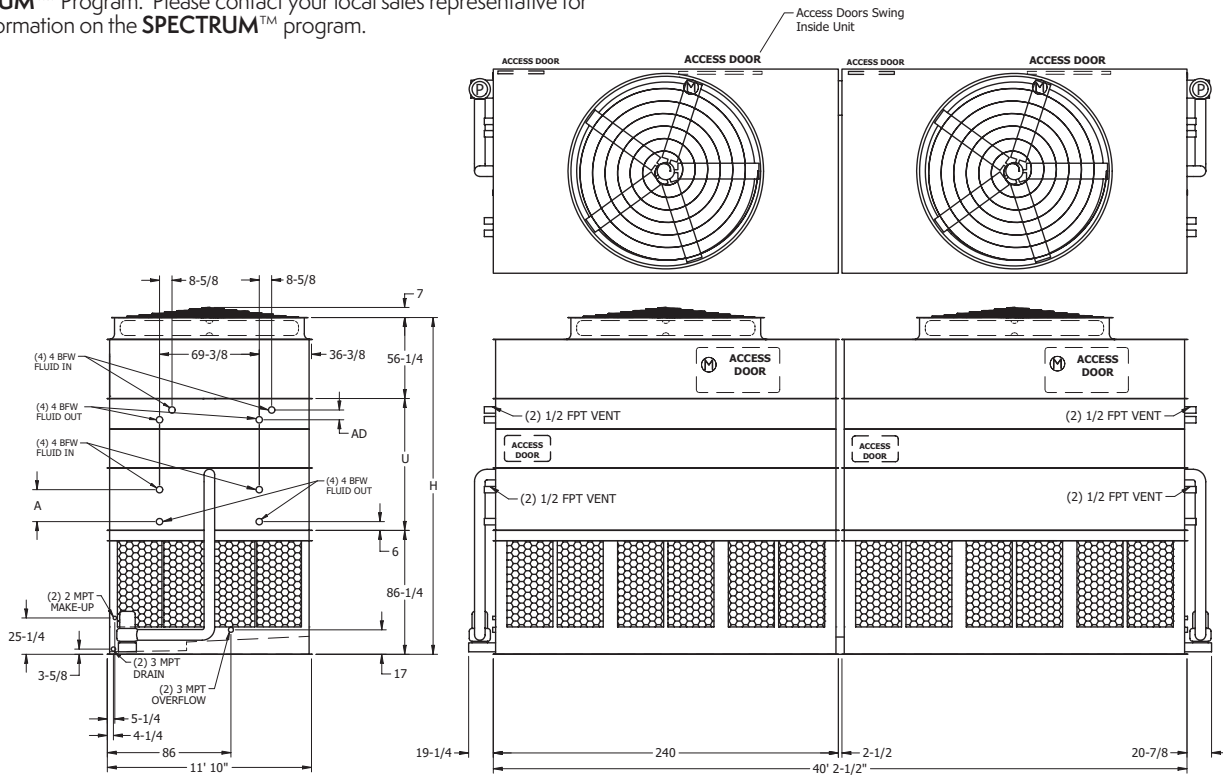
eco-ATWB-H Model Number†	Weights (lbs)			Fans		Spray Pump		Coil Volume (Gallons)	Remote Sump △			Dimensions ■			
	Shipping	Heaviest Section††	Operating	HP	CFM	HP	GPM		Gallons* Required	Conn. Size	Operating Weight (lbs)	Height H	Length L	Upper U	Coil A
eco-ATWB-H 12-1K36	30,460	7,640	49,940	(2) 20	228,670	(2) 7.5	2400	333	1440	(2) 12"	38,200	18' 1-5/8"	36' 2-1/2"	6' 3"	5-1/2"
eco-ATWB-H 12-1L36	30,520	7,640	50,000	(2) 25	246,330	(2) 7.5	2400	333	1440	(2) 12"	38,260	18' 1-5/8"	36' 2-1/2"	6' 3"	5-1/2"
eco-ATWB-H 12-1M36	30,620	7,640	50,100	(2) 30	261,760	(2) 7.5	2400	333	1440	(2) 12"	38,360	18' 1-5/8"	36' 2-1/2"	6' 3"	5-1/2"
eco-ATWB-H 12-1N36	30,940	7,640	50,420	(2) 40	284,090	(2) 7.5	2400	333	1440	(2) 12"	38,680	18' 1-5/8"	36' 2-1/2"	6' 3"	5-1/2"
eco-ATWB-H 12-2K36	40,580	12,700	62,520	(2) 20	222,380	(2) 7.5	2400	627	1440	(2) 12"	50,780	18' 9-7/8"	36' 2-1/2"	6' 11-1/4"	13-3/4"
eco-ATWB-H 12-2L36	40,640	12,700	62,580	(2) 25	239,550	(2) 7.5	2400	627	1440	(2) 12"	50,840	18' 9-7/8"	36' 2-1/2"	6' 11-1/4"	13-3/4"
eco-ATWB-H 12-2M36	40,740	12,700	62,680	(2) 30	254,560	(2) 7.5	2400	627	1440	(2) 12"	50,940	18' 9-7/8"	36' 2-1/2"	6' 11-1/4"	13-3/4"
eco-ATWB-H 12-2N36	41,060	12,700	63,000	(2) 40	276,270	(2) 7.5	2400	627	1440	(2) 12"	51,260	18' 9-7/8"	36' 2-1/2"	6' 11-1/4"	13-3/4"
eco-ATWB-H 12-3K36	50,100	17,460	74,500	(2) 20	216,080	(2) 7.5	2400	922	1440	(2) 12"	62,760	19' 6-3/8"	36' 2-1/2"	7' 7-3/4"	22-1/4"
eco-ATWB-H 12-3L36	50,160	17,460	74,560	(2) 25	232,770	(2) 7.5	2400	922	1440	(2) 12"	62,820	19' 6-3/8"	36' 2-1/2"	7' 7-3/4"	22-1/4"
eco-ATWB-H 12-3M36	50,260	17,460	74,660	(2) 30	247,350	(2) 7.5	2400	922	1440	(2) 12"	62,920	19' 6-3/8"	36' 2-1/2"	7' 7-3/4"	22-1/4"
eco-ATWB-H 12-3N36	50,580	17,460	74,980	(2) 40	268,450	(2) 7.5	2400	922	1440	(2) 12"	63,240	19' 6-3/8"	36' 2-1/2"	7' 7-3/4"	22-1/4"
eco-ATWB-H 12-4K36	59,600	22,210	86,460	(2) 20	209,790	(2) 7.5	2400	1216	1440	(2) 12"	74,720	20' 2-7/8"	36' 2-1/2"	8' 4-1/4"	30-3/4"
eco-ATWB-H 12-4L36	59,660	22,210	86,520	(2) 25	225,990	(2) 7.5	2400	1216	1440	(2) 12"	74,780	20' 2-7/8"	36' 2-1/2"	8' 4-1/4"	30-3/4"
eco-ATWB-H 12-4M36	59,760	22,210	86,620	(2) 30	240,150	(2) 7.5	2400	1216	1440	(2) 12"	74,880	20' 2-7/8"	36' 2-1/2"	8' 4-1/4"	30-3/4"
eco-ATWB-H 12-4N36	60,080	22,210	86,940	(2) 40	260,630	(2) 7.5	2400	1216	1440	(2) 12"	75,200	20' 2-7/8"	36' 2-1/2"	8' 4-1/4"	30-3/4"
eco-ATWB-H 12-4O36	60,100	22,210	86,960	(2) 50	277,440	(2) 7.5	2400	1216	1440	(2) 12"	75,220	20' 2-7/8"	36' 2-1/2"	8' 4-1/4"	30-3/4"

† Model Numbers end in "-Z" for units with Series Flow piping configuration. Series Flow units may require additional coil connections and will require crossover piping.
 †† Heaviest section is the ARID Fin-Pak™ section and Ellipti-fin® coil sections shipped mounted together.
 * Gallons shown is water in suspension in unit and piping. Allow for additional water in bottom of remote sump to cover pump suction and strainer during operation (12" would normally be sufficient).
 △ When a remote sump arrangement is selected, the spray pump, suction strainer and associated piping are omitted; the unit is provided with an oversized outlet to facilitate drainage to the remote sump.
 ■ Unit dimensions and coil connections may vary slightly from catalog. See factory certified prints for dimensions, quantity of coil connections, and piping configuration. Coil connections are 4" bevel for weld (BFW), also available as options. Other connection types such as grooved for mechanical coupling or flanged are also available as options.

Dry Coil Section Adds				
ARID Fin-Pak Coil Rows	Coil Volume (gallons)	Shipping Weight (lbs)	Operating Weight (lbs)	Coil AD (in.)
2	69	(2) 3,730	8,020	5-1/2"
4	135	(2) 5,050	11,230	5-1/2"
6	203	(2) 6,380	14,450	6-7/8"
8	272	(2) 7,720	17,700	9-1/2"

eco-ATWB-H 12-1L40 to 12-4O40

Selections for eco-ATWB Closed Circuit Coolers are available from EVAPCO's **SPECTRUM™** Program. Please contact your local sales representative for more information on the **SPECTRUM™** program.



Note: The below table lists base unit dimensions and weights. See the table at the bottom Right of the Page for dry coil section dimensions and weight adds.
Note: The number of coil connections doubles when the flow rate exceeds 1,800 GPM on eco-ATWB-H 12x40 models. This required option is referred to as the High Flow coil configuration.

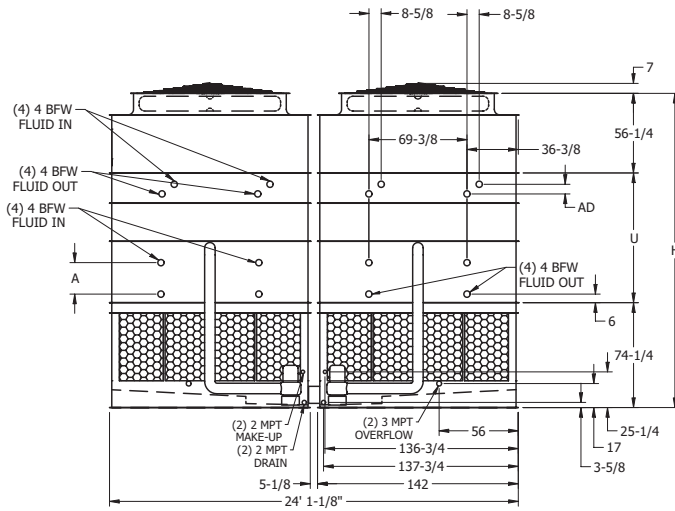
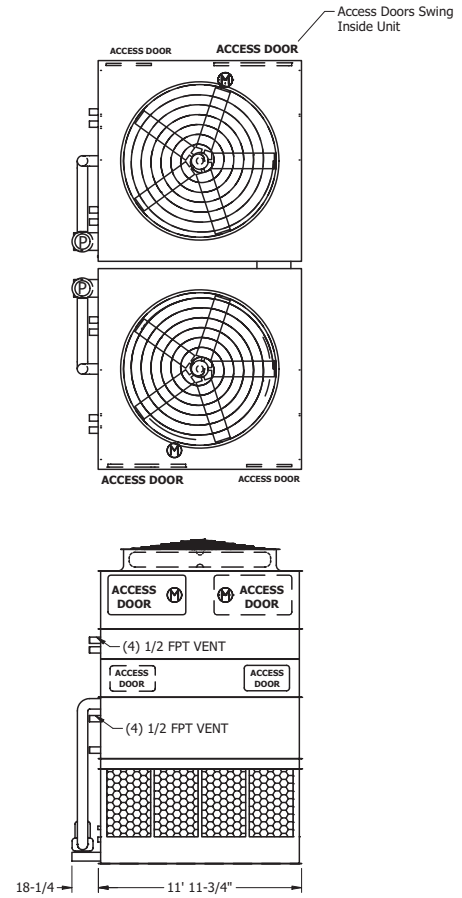
eco-ATWB-H Model Number†	Weights (lbs)			Fans		Spray Pump		Coil Volume (Gallons)	Remote Sump ▲			Dimensions ■			
	Shipping	Heaviest Section††	Operating	HP	CFM	HP	GPM		Gallons [‡] Required	Conn. Size	Operating Weight (lbs)	Height H	Length L	Upper U	Coil A
eco-ATWB-H 12-1L40	33,480	8,350	55,400	(2) 25	264,260	(2) 10	2800	366	1600	(2) 14"	42,000	18' 15/8"	40' 2-1/2"	6' 3"	5-1/2"
eco-ATWB-H 12-1M40	33,580	8,350	55,500	(2) 30	280,820	(2) 10	2800	366	1600	(2) 14"	42,100	18' 15/8"	40' 2-1/2"	6' 3"	5-1/2"
eco-ATWB-H 12-1N40	33,900	8,350	55,820	(2) 40	306,500	(2) 10	2800	366	1600	(2) 14"	42,420	18' 15/8"	40' 2-1/2"	6' 3"	5-1/2"
eco-ATWB-H 12-1O40	33,920	8,350	55,840	(2) 50	326,260	(2) 10	2800	366	1600	(2) 14"	42,440	18' 15/8"	40' 2-1/2"	6' 3"	5-1/2"
eco-ATWB-H 12-2L40	44,560	13,890	69,220	(2) 25	256,990	(2) 10	2800	694	1600	(2) 14"	55,820	18' 9 7/8"	40' 2-1/2"	6' 11-1/4"	13-3/4"
eco-ATWB-H 12-2M40	44,660	13,890	69,320	(2) 30	273,090	(2) 10	2800	694	1600	(2) 14"	55,920	18' 9 7/8"	40' 2-1/2"	6' 11-1/4"	13-3/4"
eco-ATWB-H 12-2N40	44,980	13,890	69,640	(2) 40	298,060	(2) 10	2800	694	1600	(2) 14"	56,240	18' 9 7/8"	40' 2-1/2"	6' 11-1/4"	13-3/4"
eco-ATWB-H 12-2O40	45,000	13,890	69,660	(2) 50	317,280	(2) 10	2800	694	1600	(2) 14"	56,260	18' 9 7/8"	40' 2-1/2"	6' 11-1/4"	13-3/4"
eco-ATWB-H 12-3L40	55,300	19,260	82,680	(2) 25	249,720	(2) 10	2800	1021	1600	(2) 14"	69,280	19' 6 3/8"	40' 2-1/2"	7' 7-3/4"	22-1/4"
eco-ATWB-H 12-3M40	55,400	19,260	82,780	(2) 30	265,360	(2) 10	2800	1021	1600	(2) 14"	69,380	19' 6 3/8"	40' 2-1/2"	7' 7-3/4"	22-1/4"
eco-ATWB-H 12-3N40	55,720	19,260	83,100	(2) 40	289,620	(2) 10	2800	1021	1600	(2) 14"	69,700	19' 6 3/8"	40' 2-1/2"	7' 7-3/4"	22-1/4"
eco-ATWB-H 12-3O40	55,740	19,260	83,120	(2) 50	308,300	(2) 10	2800	1021	1600	(2) 14"	69,720	19' 6 3/8"	40' 2-1/2"	7' 7-3/4"	22-1/4"
eco-ATWB-H 12-4L40	65,780	24,500	95,900	(2) 25	242,440	(2) 10	2800	1349	1600	(2) 14"	82,500	20' 2 7/8"	40' 2-1/2"	8' 4-1/4"	30-3/4"
eco-ATWB-H 12-4M40	65,880	24,500	96,000	(2) 30	257,640	(2) 10	2800	1349	1600	(2) 14"	82,600	20' 2 7/8"	40' 2-1/2"	8' 4-1/4"	30-3/4"
eco-ATWB-H 12-4N40	66,200	24,500	96,320	(2) 40	281,190	(2) 10	2800	1349	1600	(2) 14"	82,920	20' 2 7/8"	40' 2-1/2"	8' 4-1/4"	30-3/4"
eco-ATWB-H 12-4O40	66,220	24,500	96,340	(2) 50	299,320	(2) 10	2800	1349	1600	(2) 14"	82,940	20' 2 7/8"	40' 2-1/2"	8' 4-1/4"	30-3/4"

† Model Numbers end in "-Z" for units with Series Flow piping configuration. Series Flow units may require additional coil connections and will require crossover piping.
 †† Heaviest section is the ARID Fin-Pak™ section and Ellipti-fin® coil sections shipped mounted together.
 * Gallons shown is water in suspension in unit and piping. Allow for additional water in bottom of remote sump to cover pump suction and strainer during operation (12" would normally be sufficient).
 ▲ When a remote sump arrangement is selected, the spray pump, suction strainer and associated piping are omitted; the unit is provided with an oversized outlet to facilitate drainage to the remote sump.
 ■ Unit dimensions and coil connections may vary slightly from catalog. See factory certified prints for dimensions, quantity of coil connections, and piping configuration. Coil connections are 4" bevel for weld (BFW), also available as options. Other connection types such as grooved for mechanical coupling or flanged are also available as options.

Dry Coil Section Adds				
ARID Fin-Pak Coil Rows	Coil Volume (gallons)	Shipping Weight (lbs)	Operating Weight (lbs)	Coil AD (in.)
2	75	(2) 4,030	8,680	5-1/2"
4	153	(2) 5,510	12,290	5-1/2"
6	227	(2) 6,990	15,870	6-7/8"
8	302	(2) 8,460	19,440	9-1/2"

eco-ATWB-H 24-1J12 to 24-4N12

Selections for eco-ATWB Closed Circuit Coolers are available from EVAPCO's **SPECTRUM™** Program. Please contact your local sales representative for more information on the **SPECTRUM™** program.



Note: The below table lists base unit dimensions and weights. See the table at the bottom Right of the Page for dry coil section dimensions and weight adds.
Note: The number of coil connections doubles when the flow rate exceeds 1,800 GPM on eco-ATWB-H 24x12 models. This required option is referred to as the High Flow coil configuration.

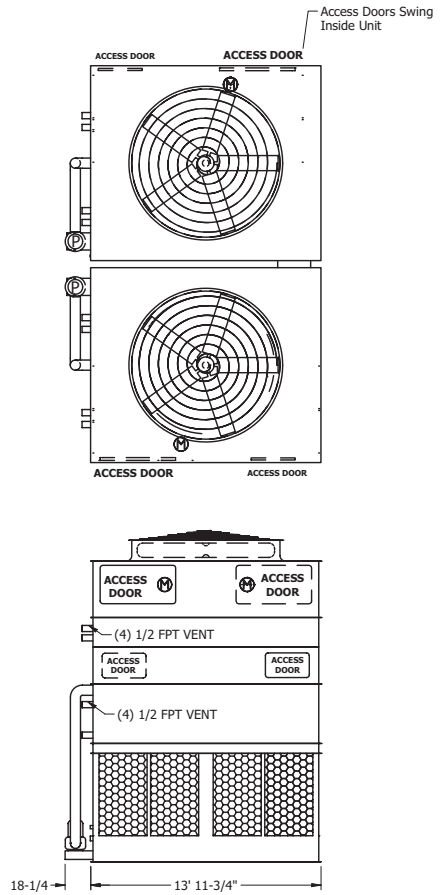
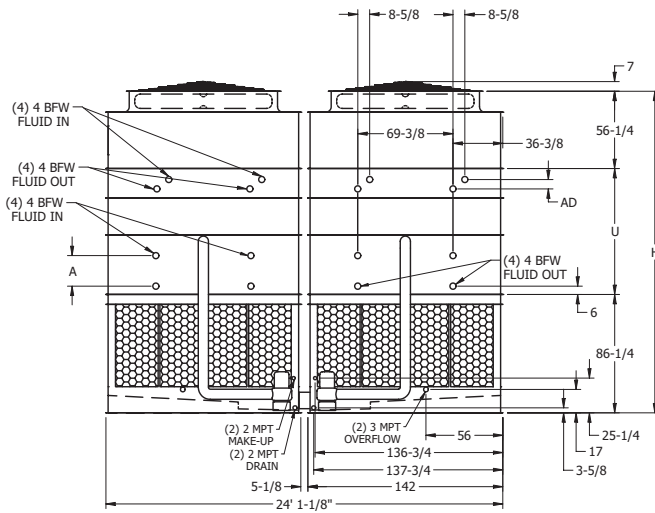
eco-ATWB-H Model Number†	Weights (lbs)			Fans		Spray Pump		Coil Volume (Gallons)	Remote Sump △			Dimensions ■			
	Shipping	Heaviest Section††	Operating	HP	CFM	HP	GPM		Gallons* Required	Conn. Size	Operating Weight (lbs)	Height H	Length L	Upper U	Coil A
eco-ATWB-H 24-1J12	21,720	5,320	34,860	[2] 15	153,440	[2] 5	1600	234	980	[2] 12"	26,960	17' 1-5/8"	11' 11-3/4"	6' 3"	5-1/2"
eco-ATWB-H 24-1K12	21,840	5,320	34,980	[2] 20	168,880	[2] 5	1600	234	980	[2] 12"	27,080	17' 1-5/8"	11' 11-3/4"	6' 3"	5-1/2"
eco-ATWB-H 24-1L12	21,900	5,320	35,040	[2] 25	179,990	[2] 5	1600	234	980	[2] 12"	27,140	17' 1-5/8"	11' 11-3/4"	6' 3"	5-1/2"
eco-ATWB-H 24-1M12	22,000	5,320	35,140	[2] 30	189,420	[2] 5	1600	234	980	[2] 12"	27,240	17' 1-5/8"	11' 11-3/4"	6' 3"	5-1/2"
eco-ATWB-H 24-2J12	28,380	8,650	43,140	[2] 15	149,220	[2] 5	1600	428	980	[2] 12"	35,240	17' 9-7/8"	11' 11-3/4"	6' 11-1/4"	13-3/4"
eco-ATWB-H 24-2K12	28,500	8,650	43,260	[2] 20	164,240	[2] 5	1600	428	980	[2] 12"	35,360	17' 9-7/8"	11' 11-3/4"	6' 11-1/4"	13-3/4"
eco-ATWB-H 24-2L12	28,560	8,650	43,320	[2] 25	175,030	[2] 5	1600	428	980	[2] 12"	35,420	17' 9-7/8"	11' 11-3/4"	6' 11-1/4"	13-3/4"
eco-ATWB-H 24-2M12	28,660	8,650	43,420	[2] 30	184,200	[2] 5	1600	428	980	[2] 12"	35,520	17' 9-7/8"	11' 11-3/4"	6' 11-1/4"	13-3/4"
eco-ATWB-H 24-3J12	34,760	11,840	51,140	[2] 15	145,000	[2] 5	1600	623	980	[2] 12"	43,240	18' 6-3/8"	11' 11-3/4"	7' 7-3/4"	22-1/4"
eco-ATWB-H 24-3K12	34,880	11,840	51,260	[2] 20	159,590	[2] 5	1600	623	980	[2] 12"	43,360	18' 6-3/8"	11' 11-3/4"	7' 7-3/4"	22-1/4"
eco-ATWB-H 24-3L12	34,940	11,840	51,320	[2] 25	170,080	[2] 5	1600	623	980	[2] 12"	43,420	18' 6-3/8"	11' 11-3/4"	7' 7-3/4"	22-1/4"
eco-ATWB-H 24-3M12	35,040	11,840	51,420	[2] 30	178,990	[2] 5	1600	623	980	[2] 12"	43,520	18' 6-3/8"	11' 11-3/4"	7' 7-3/4"	22-1/4"
eco-ATWB-H 24-4K12	41,260	15,030	59,280	[2] 20	154,940	[2] 5	1600	818	980	[2] 12"	51,380	19' 2-7/8"	11' 11-3/4"	8' 4-1/4"	30-3/4"
eco-ATWB-H 24-4L12	41,320	15,030	59,340	[2] 25	165,130	[2] 5	1600	818	980	[2] 12"	51,440	19' 2-7/8"	11' 11-3/4"	8' 4-1/4"	30-3/4"
eco-ATWB-H 24-4M12	41,420	15,030	59,440	[2] 30	173,780	[2] 5	1600	818	980	[2] 12"	51,540	19' 2-7/8"	11' 11-3/4"	8' 4-1/4"	30-3/4"
eco-ATWB-H 24-4N12	41,740	15,030	59,760	[2] 40	188,350	[2] 5	1600	818	980	[2] 12"	51,860	19' 2-7/8"	11' 11-3/4"	8' 4-1/4"	30-3/4"

† Model Numbers end in "-Z" for units with Series Flow piping configuration. Series Flow units may require additional coil connections and will require crossover piping.
 †† Heaviest section is the ARID Fin-Pak™ section and Ellipti-fin® coil sections shipped mounted together.
 * Gallons shown is water in suspension in unit and piping. Allow for additional water in bottom of remote sump to cover pump suction and strainer during operation [12" would normally be sufficient].
 △ When a remote sump arrangement is selected, the spray pump, suction strainer and associated piping are omitted; the unit is provided with an oversized outlet to facilitate drainage to the remote sump.
 ■ Unit dimensions and coil connections may vary slightly from catalog. See factory certified prints for dimensions, quantity of coil connections, and piping configuration. Coil connections are 4" bevel for weld (BFW), also available as options. Other connection types such as grooved for mechanical coupling or flanged are also available as options.

ARID Fin-Pak Coil Rows	Coil Volume (gallons)	Shipping Weight (lbs)	Operating Weight (lbs)	Coil AD (in.)
2	45	[2] 2,820	6,010	5-1/2"
4	90	[2] 3,700	8,140	5-1/2"
6	135	[2] 4,570	10,260	6-7/8"
8	180	[2] 5,440	12,380	9-1/2"

eco-ATWB-H 24-1K14 to 24-4N1

Selections for eco-ATWB Closed Circuit Coolers are available from EVAPCO's **SPECTRUM™** Program. Please contact your local sales representative for more information on the **SPECTRUM™** program.



Note: The below table lists base unit dimensions and weights. See the table at the bottom Right of the Page for dry coil section dimensions and weight adds.
Note: The number of coil connections doubles when the flow rate exceeds 1,800 GPM on eco-ATWB-H 24x14 models. This required option is referred to as the High Flow coil configuration.

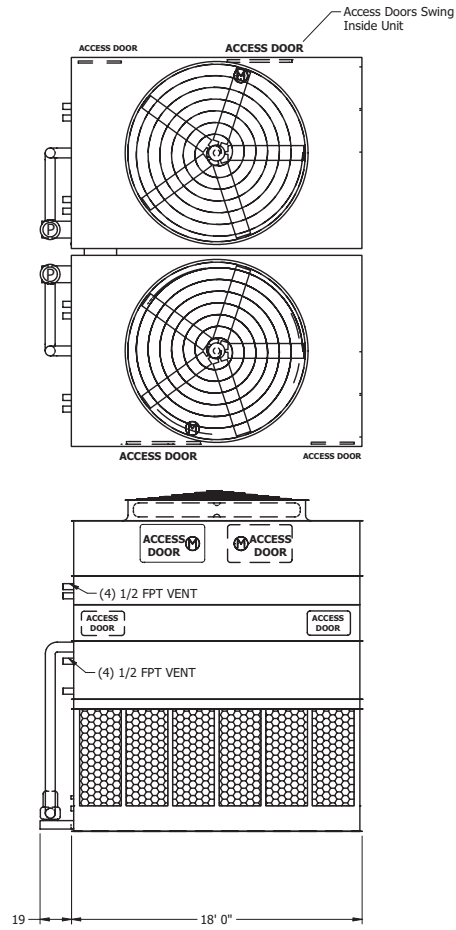
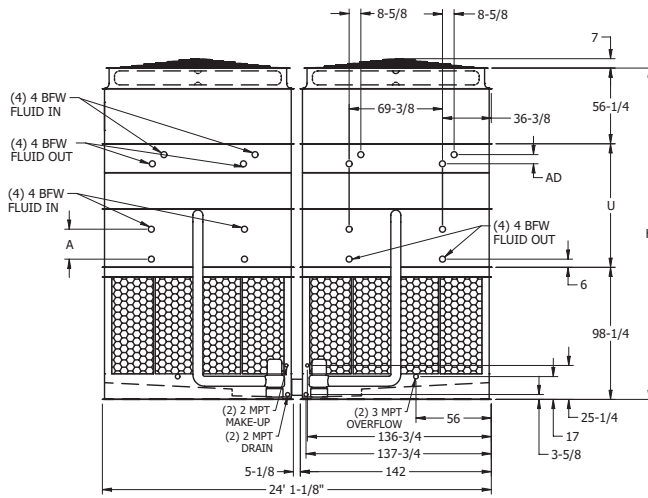
eco-ATWB-H Model Number†	Weights (lbs)			Fans		Spray Pump		Coil Volume (Gallons)	Remote Sump ▲			Dimensions ■			
	Shipping	Heaviest Section††	Operating	HP	CFM	HP	GPM		Gallons* Required	Conn. Size	Operating Weight (lbs)	Height H	Length L	Upper U	Coil A
eco-ATWB-H 24-1K14	24,460	6,050	39,900	(2) 20	187,210	(2) 5	1800	267	1140	(2) 12"	30,760	18' 1-5/8"	13' 11-3/4"	6' 3"	5-1/2"
eco-ATWB-H 24-1L14	24,520	6,050	39,960	(2) 25	201,170	(2) 5	1800	267	1140	(2) 12"	30,820	18' 1-5/8"	13' 11-3/4"	6' 3"	5-1/2"
eco-ATWB-H 24-1M14	24,620	6,050	40,060	(2) 30	211,700	(2) 5	1800	267	1140	(2) 12"	30,920	18' 1-5/8"	13' 11-3/4"	6' 3"	5-1/2"
eco-ATWB-H 24-1N14	24,940	6,050	40,380	(2) 40	229,460	(2) 5	1800	267	1140	(2) 12"	31,240	18' 1-5/8"	13' 11-3/4"	6' 3"	5-1/2"
eco-ATWB-H 24-2K14	32,040	9,840	49,380	(2) 20	182,050	(2) 5	1800	495	1140	(2) 12"	40,240	18' 9-7/8"	13' 11-3/4"	6' 11-1/4"	13-3/4"
eco-ATWB-H 24-2L14	32,100	9,840	49,440	(2) 25	195,630	(2) 5	1800	495	1140	(2) 12"	40,300	18' 9-7/8"	13' 11-3/4"	6' 11-1/4"	13-3/4"
eco-ATWB-H 24-2M14	32,200	9,840	49,540	(2) 30	205,880	(2) 5	1800	495	1140	(2) 12"	40,400	18' 9-7/8"	13' 11-3/4"	6' 11-1/4"	13-3/4"
eco-ATWB-H 24-2N14	32,520	9,840	49,860	(2) 40	223,140	(2) 5	1800	495	1140	(2) 12"	40,720	18' 9-7/8"	13' 11-3/4"	6' 11-1/4"	13-3/4"
eco-ATWB-H 24-3K14	39,640	13,640	58,880	(2) 20	176,900	(2) 5	1800	723	1140	(2) 12"	49,740	19' 6-3/8"	13' 11-3/4"	7' 7-3/4"	22-1/4"
eco-ATWB-H 24-3L14	39,700	13,640	58,940	(2) 25	190,090	(2) 5	1800	723	1140	(2) 12"	49,800	19' 6-3/8"	13' 11-3/4"	7' 7-3/4"	22-1/4"
eco-ATWB-H 24-3M14	39,800	13,640	59,040	(2) 30	200,050	(2) 5	1800	723	1140	(2) 12"	49,900	19' 6-3/8"	13' 11-3/4"	7' 7-3/4"	22-1/4"
eco-ATWB-H 24-3N14	40,120	13,640	59,360	(2) 40	216,830	(2) 5	1800	723	1140	(2) 12"	50,220	19' 6-3/8"	13' 11-3/4"	7' 7-3/4"	22-1/4"
eco-ATWB-H 24-4K14	47,080	17,360	68,220	(2) 20	171,750	(2) 5	1800	951	1140	(2) 12"	59,080	20' 2-7/8"	13' 11-3/4"	8' 4-1/4"	30-3/4"
eco-ATWB-H 24-4L14	47,140	17,360	68,280	(2) 25	184,560	(2) 5	1800	951	1140	(2) 12"	59,140	20' 2-7/8"	13' 11-3/4"	8' 4-1/4"	30-3/4"
eco-ATWB-H 24-4M14	47,240	17,360	68,380	(2) 30	194,220	(2) 5	1800	951	1140	(2) 12"	59,240	20' 2-7/8"	13' 11-3/4"	8' 4-1/4"	30-3/4"
eco-ATWB-H 24-4N14	47,560	17,360	68,700	(2) 40	210,510	(2) 5	1800	951	1140	(2) 12"	59,560	20' 2-7/8"	13' 11-3/4"	8' 4-1/4"	30-3/4"

- † Model Numbers end in "-Z" for units with Series Flow piping configuration. Series Flow units may require additional coil connections and will require crossover piping.
- †† Heaviest section is the ARID Fin-Pak™ section and Ellipti-fin® coil sections shipped mounted together.
- * Gallons shown is water in suspension in unit and piping. Allow for additional water in bottom of remote sump to cover pump suction and strainer during operation (12" would normally be sufficient).
- ▲ When a remote sump arrangement is selected, the spray pump, suction strainer and associated piping are omitted; the unit is provided with an oversized outlet to facilitate drainage to the remote sump.
- Unit dimensions and coil connections may vary slightly from catalog. See factory certified prints for dimensions, quantity of coil connections, and piping configuration. Coil connections are 4" bevel for weld (BFW), also available as options. Other connection types such as grooved for mechanical coupling or flanged are also available as options.

Dry Coil Section Adds				
ARID Fin-Pak Coil Rows	Coil Volume (gallons)	Shipping Weight (lbs)	Operating Weight (lbs)	Coil AD (in.)
2	54	(2) 3,120	6,690	5-1/2"
4	105	(2) 4,150	9,170	5-1/2"
6	159	(2) 5,180	11,680	6-7/8"
8	209	(2) 6,200	14,140	9-1/2"

eco-ATWB-H 24-1K18 to 24-4O18

Selections for eco-ATWB Closed Circuit Coolers are available from EVAPCO's **SPECTRUM™** Program. Please contact your local sales representative for more information on the **SPECTRUM™** program.



Note: The below table lists base unit dimensions and weights. See the table at the bottom Right of the Page for dry coil section dimensions and weight adds.
Note: The number of coil connections doubles when the flow rate exceeds 1,800 GPM on eco-ATWB-H 24x18 models. This required option is referred to as the High Flow coil configuration.

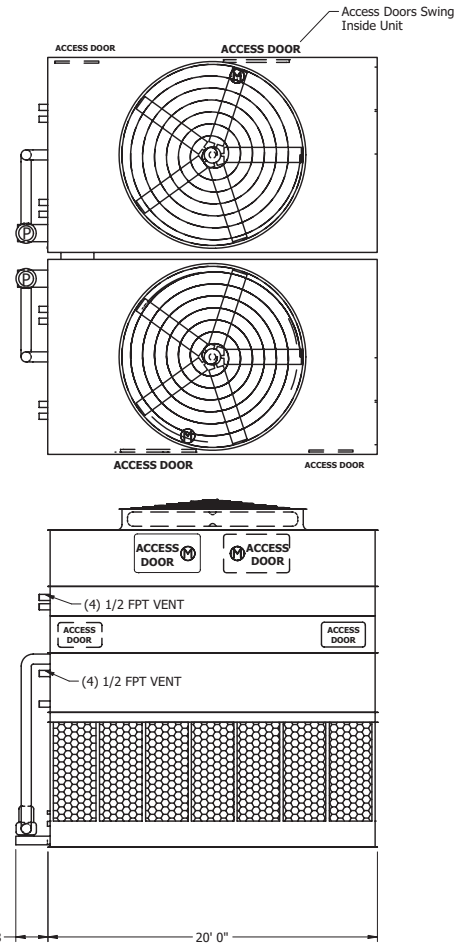
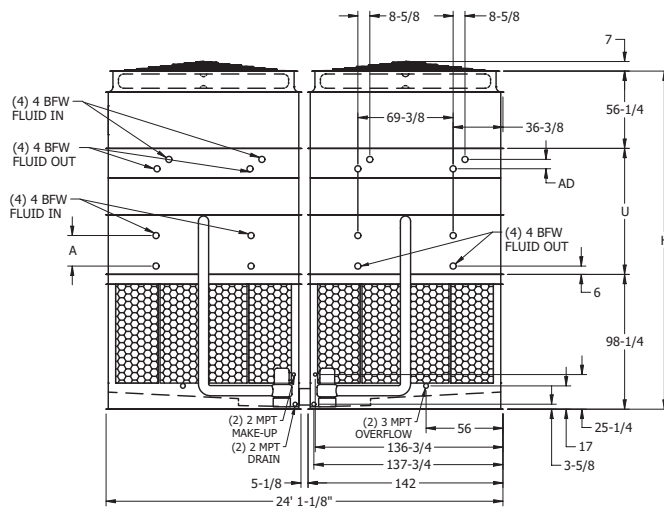
eco-ATWB-H Model Number†	Weights (lbs)			Fans		Spray Pump		Coil Volume (Gallons)	Remote Sump △			Dimensions ■			
	Shipping	Heaviest Section††	Operating	HP	CFM	HP	GPM		Gallons* Required	Conn. Size	Operating Weight (lbs)	Height H	Length L	Upper U	Coil A
eco-ATWB-H 24-1K18	30,540	7,680	50,020	(2) 20	228,670	(2) 7.5	2400	333	1440	(2) 12"	38,280	19' 1-5/8"	18' 0"	6' 3"	5-1/2"
eco-ATWB-H 24-1L18	30,600	7,680	50,080	(2) 25	246,330	(2) 7.5	2400	333	1440	(2) 12"	38,340	19' 1-5/8"	18' 0"	6' 3"	5-1/2"
eco-ATWB-H 24-1M18	30,700	7,680	50,180	(2) 30	261,760	(2) 7.5	2400	333	1440	(2) 12"	38,440	19' 1-5/8"	18' 0"	6' 3"	5-1/2"
eco-ATWB-H 24-1N18	31,020	7,680	50,500	(2) 40	284,090	(2) 7.5	2400	333	1440	(2) 12"	38,760	19' 1-5/8"	18' 0"	6' 3"	5-1/2"
eco-ATWB-H 24-2K18	40,640	12,730	62,580	(2) 20	222,380	(2) 7.5	2400	627	1440	(2) 12"	50,840	19' 9-7/8"	18' 0"	6' 11-1/4"	13-3/4"
eco-ATWB-H 24-2L18	40,700	12,730	62,640	(2) 25	239,550	(2) 7.5	2400	627	1440	(2) 12"	50,900	19' 9-7/8"	18' 0"	6' 11-1/4"	13-3/4"
eco-ATWB-H 24-2M18	40,800	12,730	62,740	(2) 30	254,560	(2) 7.5	2400	627	1440	(2) 12"	51,000	19' 9-7/8"	18' 0"	6' 11-1/4"	13-3/4"
eco-ATWB-H 24-2N18	41,120	12,730	63,060	(2) 40	276,270	(2) 7.5	2400	627	1440	(2) 12"	51,320	19' 9-7/8"	18' 0"	6' 11-1/4"	13-3/4"
eco-ATWB-H 24-3K18	50,100	17,460	74,500	(2) 20	216,080	(2) 7.5	2400	922	1440	(2) 12"	62,760	20' 6-3/8"	18' 0"	7' 7-3/4"	22-1/4"
eco-ATWB-H 24-3L18	50,160	17,460	74,560	(2) 25	232,770	(2) 7.5	2400	922	1440	(2) 12"	62,820	20' 6-3/8"	18' 0"	7' 7-3/4"	22-1/4"
eco-ATWB-H 24-3M18	50,260	17,460	74,660	(2) 30	247,350	(2) 7.5	2400	922	1440	(2) 12"	62,920	20' 6-3/8"	18' 0"	7' 7-3/4"	22-1/4"
eco-ATWB-H 24-3N18	50,580	17,460	74,980	(2) 40	268,450	(2) 7.5	2400	922	1440	(2) 12"	63,240	20' 6-3/8"	18' 0"	7' 7-3/4"	22-1/4"
eco-ATWB-H 24-4K18	59,600	22,210	86,460	(2) 20	209,790	(2) 7.5	2400	1216	1440	(2) 12"	74,720	21' 2-7/8"	18' 0"	8' 4-1/4"	30-3/4"
eco-ATWB-H 24-4L18	59,660	22,210	86,520	(2) 25	225,990	(2) 7.5	2400	1216	1440	(2) 12"	74,780	21' 2-7/8"	18' 0"	8' 4-1/4"	30-3/4"
eco-ATWB-H 24-4M18	59,760	22,210	86,620	(2) 30	240,150	(2) 7.5	2400	1216	1440	(2) 12"	74,880	21' 2-7/8"	18' 0"	8' 4-1/4"	30-3/4"
eco-ATWB-H 24-4N18	60,080	22,210	86,940	(2) 40	260,630	(2) 7.5	2400	1216	1440	(2) 12"	75,200	21' 2-7/8"	18' 0"	8' 4-1/4"	30-3/4"
eco-ATWB-H 24-4O18	60,100	22,210	86,960	(2) 50	277,440	(2) 7.5	2400	1216	1440	(2) 12"	75,220	21' 2-7/8"	18' 0"	8' 4-1/4"	30-3/4"

† Model Numbers end in "-Z" for units with Series Flow piping configuration. Series Flow units may require additional coil connections and will require crossover piping.
 †† Heaviest section is the ARID Fin-Pak™ section and Ellipti-fin® coil sections shipped mounted together.
 * Gallons shown is water in suspension in unit and piping. Allow for additional water in bottom of remote sump to cover pump suction and strainer during operation [12" would normally be sufficient].
 △ When a remote sump arrangement is selected, the spray pump, suction strainer and associated piping are omitted; the unit is provided with an oversized outlet to facilitate drainage to the remote sump.
 ■ Unit dimensions and coil connections may vary slightly from catalog. See factory certified prints for dimensions, quantity of coil connections, and piping configuration. Coil connections are 4" bevel for weld (BFW), also available as options. Other connection types such as grooved for mechanical coupling or flanged are also available as options.

ARID Fin-Pak Coil Rows	Coil Volume (gallons)	Shipping Weight (lbs)	Operating Weight (lbs)	Coil AD (in.)
2	69	(2) 3,730	8,020	5-1/2"
4	135	(2) 5,050	11,230	5-1/2"
6	203	(2) 6,380	14,450	6-7/8"
8	272	(2) 7,720	17,700	9-1/2"

eco-ATWB-H 24-1L20 to 24-4O20

Selections for eco-ATWB Closed Circuit Coolers are available from EVAPCO's **SPECTRUM™** Program. Please contact your local sales representative for more information on the **SPECTRUM™** program.



Note: The below table lists base unit dimensions and weights. See the table at the bottom Right of the Page for dry coil section dimensions and weight adds.
Note: The number of coil connections doubles when the flow rate exceeds 1,800 GPM on eco-ATWB-H 24x20 models. This required option is referred to as the High Flow coil configuration.

eco-ATWB-H Model Number†	Weights (lbs)			Fans		Spray Pump		Coil Volume (Gallons)	Remote Sump [△]			Dimensions [■]			
	Shipping	Heaviest Section††	Operating	HP	CFM	HP	GPM		Gallons* Required	Conn. Size	Operating Weight (lbs)	Height H	Length L	Upper U	Coil A
eco-ATWB-H 24-1L20	33,600	8,410	55,520	(2) 25	264,260	(2) 10	2800	366	1600	(2) 14"	42,120	19' 1-5/8"	20' 0"	6' 3"	5-1/2"
eco-ATWB-H 24-1M20	33,700	8,410	55,620	(2) 30	280,820	(2) 10	2800	366	1600	(2) 14"	42,220	19' 1-5/8"	20' 0"	6' 3"	5-1/2"
eco-ATWB-H 24-1N20	34,020	8,410	55,940	(2) 40	306,500	(2) 10	2800	366	1600	(2) 14"	42,540	19' 1-5/8"	20' 0"	6' 3"	5-1/2"
eco-ATWB-H 24-1O20	34,040	8,410	55,960	(2) 50	326,260	(2) 10	2800	366	1600	(2) 14"	42,560	19' 1-5/8"	20' 0"	6' 3"	5-1/2"
eco-ATWB-H 24-2L20	44,620	13,920	69,280	(2) 25	256,990	(2) 10	2800	694	1600	(2) 14"	55,880	19' 9-7/8"	20' 0"	6' 11-1/4"	13-3/4"
eco-ATWB-H 24-2M20	44,720	13,920	69,380	(2) 30	273,090	(2) 10	2800	694	1600	(2) 14"	55,980	19' 9-7/8"	20' 0"	6' 11-1/4"	13-3/4"
eco-ATWB-H 24-2N20	45,040	13,920	69,700	(2) 40	298,060	(2) 10	2800	694	1600	(2) 14"	56,300	19' 9-7/8"	20' 0"	6' 11-1/4"	13-3/4"
eco-ATWB-H 24-2O20	45,060	13,920	69,720	(2) 50	317,280	(2) 10	2800	694	1600	(2) 14"	56,320	19' 9-7/8"	20' 0"	6' 11-1/4"	13-3/4"
eco-ATWB-H 24-3L20	55,300	19,260	82,680	(2) 25	249,720	(2) 10	2800	1021	1600	(2) 14"	69,280	20' 6-3/8"	20' 0"	7' 7-3/4"	22-1/4"
eco-ATWB-H 24-3M20	55,400	19,260	82,780	(2) 30	265,360	(2) 10	2800	1021	1600	(2) 14"	69,380	20' 6-3/8"	20' 0"	7' 7-3/4"	22-1/4"
eco-ATWB-H 24-3N20	55,720	19,260	83,100	(2) 40	289,620	(2) 10	2800	1021	1600	(2) 14"	69,700	20' 6-3/8"	20' 0"	7' 7-3/4"	22-1/4"
eco-ATWB-H 24-3O20	55,740	19,260	83,120	(2) 50	308,300	(2) 10	2800	1021	1600	(2) 14"	69,720	20' 6-3/8"	20' 0"	7' 7-3/4"	22-1/4"
eco-ATWB-H 24-4L20	65,780	24,500	95,900	(2) 25	242,440	(2) 10	2800	1349	1600	(2) 14"	82,500	21' 2-7/8"	20' 0"	8' 4-1/4"	30-3/4"
eco-ATWB-H 24-4M20	65,880	24,500	96,000	(2) 30	257,640	(2) 10	2800	1349	1600	(2) 14"	82,600	21' 2-7/8"	20' 0"	8' 4-1/4"	30-3/4"
eco-ATWB-H 24-4N20	66,200	24,500	96,320	(2) 40	281,190	(2) 10	2800	1349	1600	(2) 14"	82,920	21' 2-7/8"	20' 0"	8' 4-1/4"	30-3/4"
eco-ATWB-H 24-4O20	66,220	24,500	96,340	(2) 50	299,320	(2) 10	2800	1349	1600	(2) 14"	82,940	21' 2-7/8"	20' 0"	8' 4-1/4"	30-3/4"

† Model Numbers end in "-Z" for units with Series Flow piping configuration. Series Flow units may require additional coil connections and will require crossover piping.
 †† Heaviest section is the ARID Fin-Pak™ section and Ellipti-fin® coil sections shipped mounted together.
 * Gallons shown is water in suspension in unit and piping. Allow for additional water in bottom of remote sump to cover pump suction and strainer during operation (12" would normally be sufficient).
[△] When a remote sump arrangement is selected, the spray pump, suction strainer and associated piping are omitted; the unit is provided with an oversized outlet to facilitate drainage to the remote sump.
[■] Unit dimensions and coil connections may vary slightly from catalog. See factory certified prints for dimensions, quantity of coil connections, and piping configuration. Coil connections are 4" bevel for weld (BFW), also available as options. Other connection types such as grooved for mechanical coupling or flanged are also available as options.

Dry Coil Section Adds				
ARID Fin-Pak Coil Rows	Coil Volume (gallons)	Shipping Weight (lbs)	Operating Weight (lbs)	Coil AD (in.)
2	75	(2) 4,030	8,680	5-1/2"
4	153	(2) 5,510	12,290	5-1/2"
6	227	(2) 6,990	15,870	6-7/8"
8	302	(2) 8,460	19,440	9-1/2"



World Headquarters
 Research & Development Center
 EVAPCO Manufacturing Facilities

EVAPCO, Inc. — World Headquarters & Research / Development Center

P.O. Box 1300 • Westminister, MD 21158 USA
 410.756.2600 • marketing@evapco.com • evapco.com

North America

- EVAPCO, Inc.**
World Headquarters
 Westminister, MD USA
 410.756.2600
marketing@evapco.com
- EVAPCO East**
 Taneytown, MD USA
- EVAPCO East**
 Key Building
 Taneytown, MD USA
- EVAPCO Midwest**
 Greenup, IL USA
 217.923.3431
evapcomw@evapcomw.com
- Evapcold Manufacturing**
 Greenup, IL USA
- EVAPCO Newton**
 Newton, IL USA
 618.783.3433
evapcomw@evapcomw.com
- EVAPCO West**
 Madera, CA USA
 559.673.2207
contact@evapcowest.com
- EVAPCO Alcoil, Inc.**
 York, PA USA
 717.347.7500
info@evapco-alcoil.com
- EVAPCO Iowa**
 Lake View, IA USA
EVAPCO Iowa
 Sales & Engineering
 Medford, MN USA
 507.446.8005
evapcomn@evapcomn.com

- EVAPCO LMP ULC**
 Laval, Quebec, Canada
 450.629.9864
info@evapcolmp.ca
- EVAPCO Select Technologies, Inc.**
 Belmont, MI USA
 844.785.9506
emarketing@evapcoselect.com
- Refrigeration Vessels & Systems Corporation**
 Bryan, TX USA
 979.778.0095
rsv@rvscorp.com
- Tower Components, Inc.**
 Ramseur, NC USA
 336.824.2102
mail@towercomponentsinc.com
- EvapTech, Inc.**
 Edwardsville, KS USA
 913.322.5165
marketing@evaptech.com
- EVAPCO Dry Cooling, Inc.**
 Bridgewater, NJ USA
 908.379.2665
info@evapcodc.com
- EVAPCO Dry Cooling, Inc.**
 Littleton, CO USA
 908.895.3236
info@evapcodc.com

Asia Pacific

- EVAPCO Asia Pacific Headquarters**
 Baoshan Industrial Zone Shanghai, P.R. China
 (86) 21.6687.7786
marketing@evapcochina.com
- EVAPCO (Shanghai) Refrigeration Equipment Co., Ltd.**
 Baoshan Industrial Zone, Shanghai, P.R. China
- EVAPCO (Beijing) Refrigeration Equipment Co., Ltd.**
 Huairou District, Beijing, P.R. China
 (86) 10.6166.7238
marketing@evapcochina.com
- EVAPCO Air Cooling Systems (Jiaxing) Company, Ltd.**
 Jiaxing, Zhejiang, P.R. China
 (86) 573.8311.9379
info@evapcochina.com
- EVAPCO Australia (Pty.) Ltd.**
 Riverstone, NSW, Australia
 (61) 02.9627.3322
sales@evapco.com.au
- EvapTech (Shanghai) Cooling Tower Co., Ltd**
 Baoshan District, Shanghai, P.R. China.
 Tel: (86) 21.6478.0265
- EvapTech Asia Pacific Sdn. Bhd.**
 Puchong, Selangor, Malaysia
 (60) 3.8070.7255
marketing-ap@evaptech.com

Europe | Middle East | Africa

- EVAPCO Europe EMENA Headquarters**
 Tongeren-Borgloon, Belgium
 (32) 12.39.50.29
evapco.europe@evapco.be
- EVAPCO Europe BV**
 Tongeren-Borgloon, Belgium
- EVAPCO Europe, S.r.l.**
 Milan, Italy
 (39) 02.939.9041
evapcoeuropa@evapco.it
- EVAPCO Europe, S.r.l.**
 Sondrio, Italy
- EVAPCO Europe A/S**
 Aabybro, Denmark
 (45) 9824.4999
info@evapco.dk
- EVAPCO Europe GmbH**
 Meerbusch, Germany
 (49) 2159.69560
info@evapco.de
- EVAPCO Middle East DMCC**
 Dubai, United Arab Emirates
 (971) 56.991.6584
info@evapco.ae
- Evap Egypt Engineering Industries Co.**
A licensed manufacturer of EVAPCO, Inc.
 Nasr City, Cairo, Egypt
 (20) 10.054.32.198
evapco@tiba-group.com
- EVAPCO S.A. (Pty.) Ltd.**
A licensed manufacturer of EVAPCO, Inc.
 Isando, South Africa
 (27) 11.392.6630
evapco@evapco.co.za

South America

- EVAPCO Brasil**
 Equipamentos Industriais Ltda.
 Sorocaba, São Paulo, Brazil
 (55) 11.5681.2000
vendas@evapco.com.br
- FanTR Technology Resources**
 Sorocaba, São Paulo, Brazil
 (55) 11.4025.1670
fantr@fantr.com