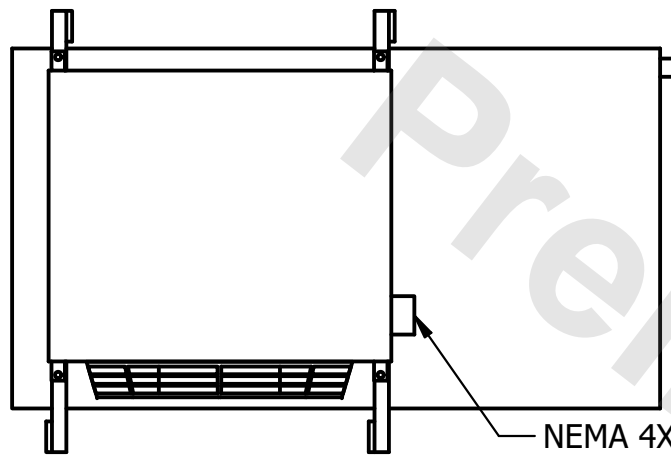


**CONFIDENTIAL**

This document is the property of Evapco, Inc. It should not be copied or disclosed without prior written authorization.

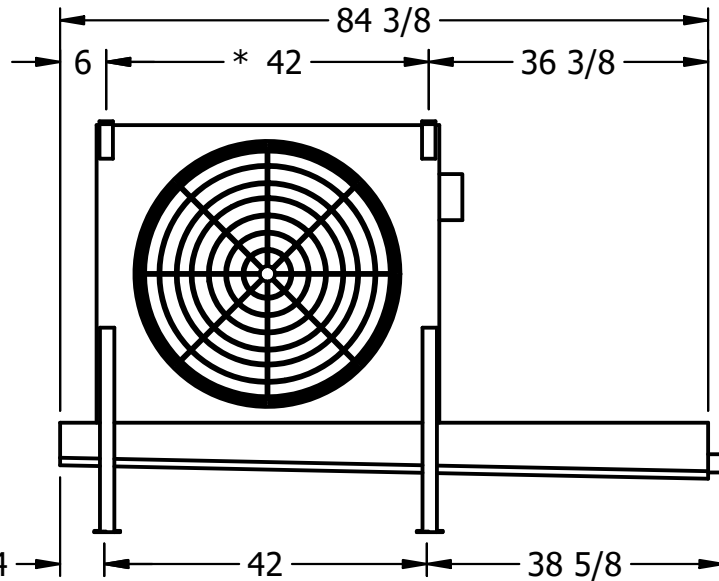
|          |                                 |              |                        |        |               |
|----------|---------------------------------|--------------|------------------------|--------|---------------|
| CUSTOMER | MODEL # U-SSTME1-11103F0033F1KA | SCALE N.T.S. | DWG. # USSTM1-SE-16,18 | REV. 0 | DATE 3/4/2025 |
|----------|---------------------------------|--------------|------------------------|--------|---------------|



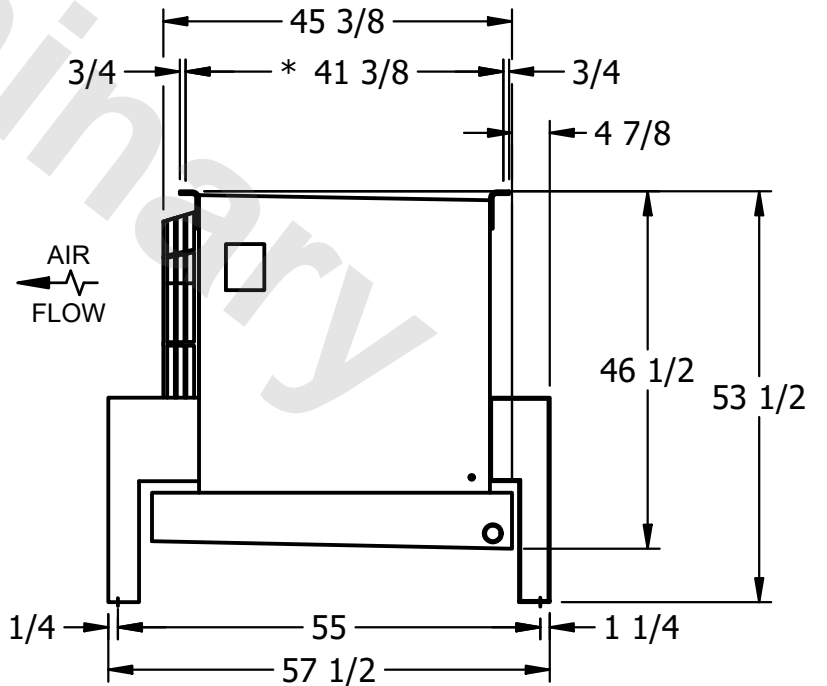
NEMA 4X  
JUNCTION BOX

**NOTES:**

- 1) \* = HANGER HOLE LOCATION.
- 2) RIGHT HAND MODEL SHOWN.
- 3) HANGER HOLES ARE FOR 3/4 INCH THREADED ROD.
- 4) ALL DIMENSIONS ARE FOR REFERENCE AND SHOULD NOT BE USED FOR PREFABRICATION OF PIPING OR SUPPORTS.



2" MPT  
DRAIN



AIR  
FLOW

|         |      |                                    |                                     |
|---------|------|------------------------------------|-------------------------------------|
| PROJECT | ROOM | SHIPPING WEIGHT 640 lbs+ [295] kg+ | OPERATING WEIGHT 750 lbs+ [345] kg+ |
|---------|------|------------------------------------|-------------------------------------|