

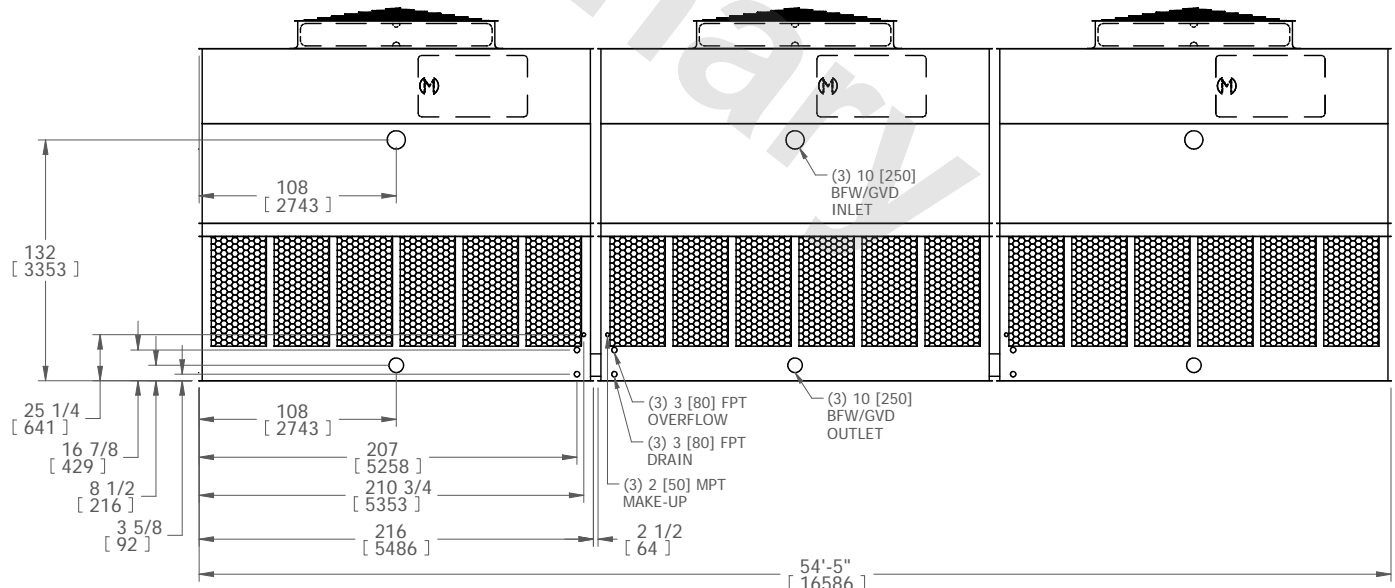
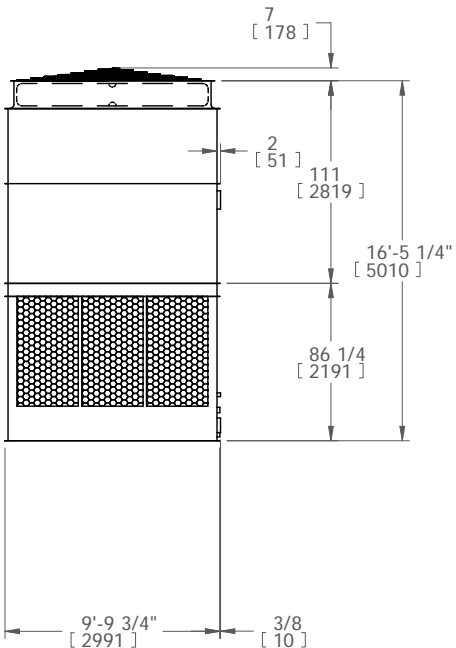
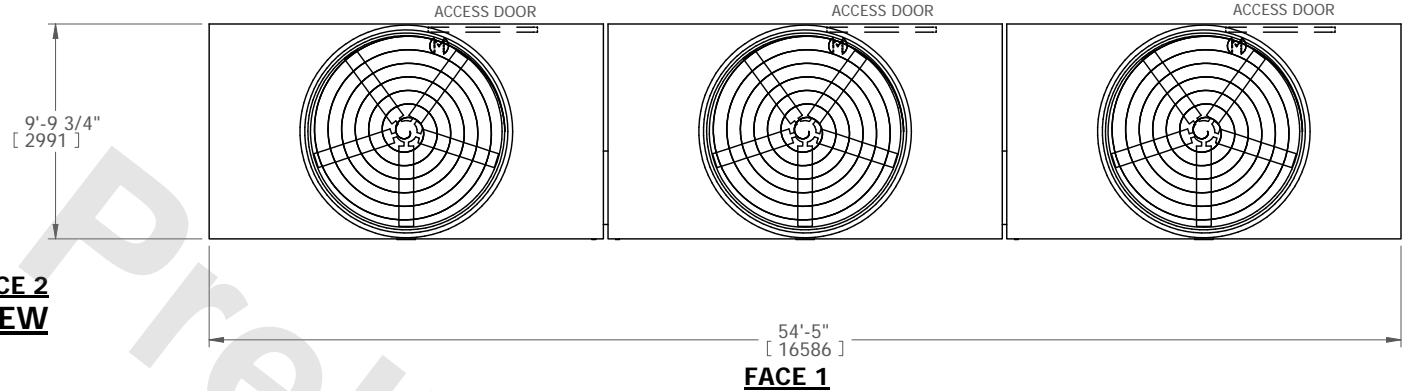
# EVAPCO, INC.



|                              |                               |                        |                                  |                  |                           |          |
|------------------------------|-------------------------------|------------------------|----------------------------------|------------------|---------------------------|----------|
| UNIT<br><b>COOLING TOWER</b> | MODEL #<br><b>AT 310-3J54</b> | SCALE<br><b>N.T.S.</b> | DWG. #<br><b>T3TM5436-DRC-ST</b> | REV.<br><b>-</b> | DATE<br><b>10/10/2024</b> | SERIAL # |
|------------------------------|-------------------------------|------------------------|----------------------------------|------------------|---------------------------|----------|

- NOTES:
- (M)- FAN MOTOR LOCATION
  - HEAVIEST SECTION IS UPPER SECTION
  - MPT DENOTES MALE PIPE THREAD  
FPT DENOTES FEMALE PIPE THREAD  
BFW DENOTES BEVELED FOR WELDING
  - +UNIT WEIGHT DOES NOT INCLUDE ACCESSORIES (SEE ACCESSORY DRAWINGS)
  - MAKE-UP WATER PRESSURE  
20 psi MIN [137 kPa], 50 psi MAX [344 kPa]

**FACE 2  
PLAN VIEW**



|  |   |  |                                      |
|--|---|--|--------------------------------------|
| SHIPPING WEIGHT<br><b>30540 lbs+ [13853] kg+</b> | OPERATING WEIGHT<br><b>55760 lbs+ [25292] kg+</b> | HEAVIEST SECTION WEIGHT<br><b>6850 lbs+ [3107] kg+</b> | NO. OF SHIPPING SECTIONS<br><b>6</b> |
|--|---|--|--------------------------------------|