

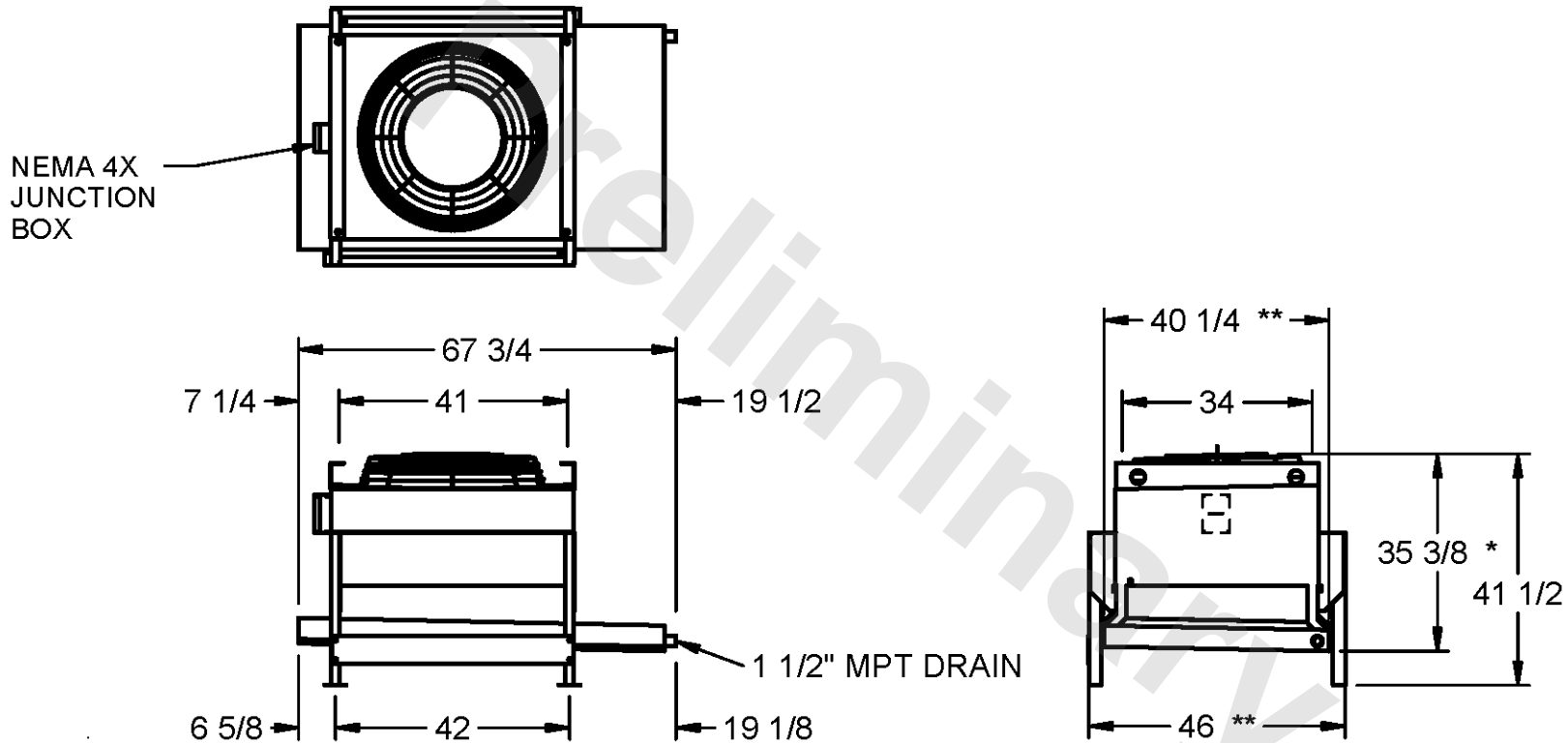
CONFIDENTIAL

This document is the property of Evapco, Inc. It should not be copied or disclosed without prior written authorization.

EVAPCO, INC.



| | | | | | |
|----------|------------------------------|--------------|-------------------|--------|----------------|
| CUSTOMER | MODEL # SSTWB1-9R43E0075F3LA | SCALE N.T.S. | DWG.# STWA1-SE-4L | REV. 0 | DATE 3/12/2025 |
|----------|------------------------------|--------------|-------------------|--------|----------------|



NOTES

- 1) ALL DIMENSIONS ARE FOR REFERENCE AND SHOULD NOT BE USED FOR PREFABRICATION OF PIPING OR SUPPORTS.
- 2) HANGER HOLES ARE FOR 3/4 INCH THREADED ROD.
- * HOT GAS DEFROST ADDS 1/2 INCH TO THE HEIGHT OF A STANDARD UNIT, WATER DEFROST ADDS 6 INCHES TO THE HEIGHT OF A STANDARD UNIT AND CHANGES THE DRAIN SIZE.
- ** EXTENDED WIDTH DRAIN PAN ADDS 6 INCHES TO THE WIDTH OF A STANDARD UNIT.

| | | | |
|---------|------|------------------------------------|-------------------------------------|
| PROJECT | ROOM | SHIPPING WEIGHT 500 lbs+ [230] kg+ | OPERATING WEIGHT 540 lbs+ [245] kg+ |
|---------|------|------------------------------------|-------------------------------------|