

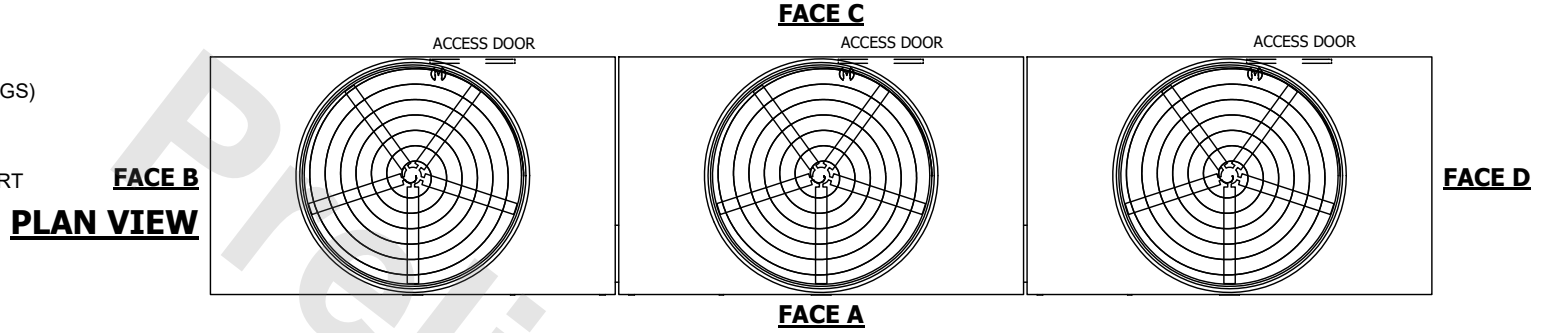
UNIT	COOLING TOWER	
MODEL #	AT 314-4P72	SCALE NTS

# EVAPCO, INC.

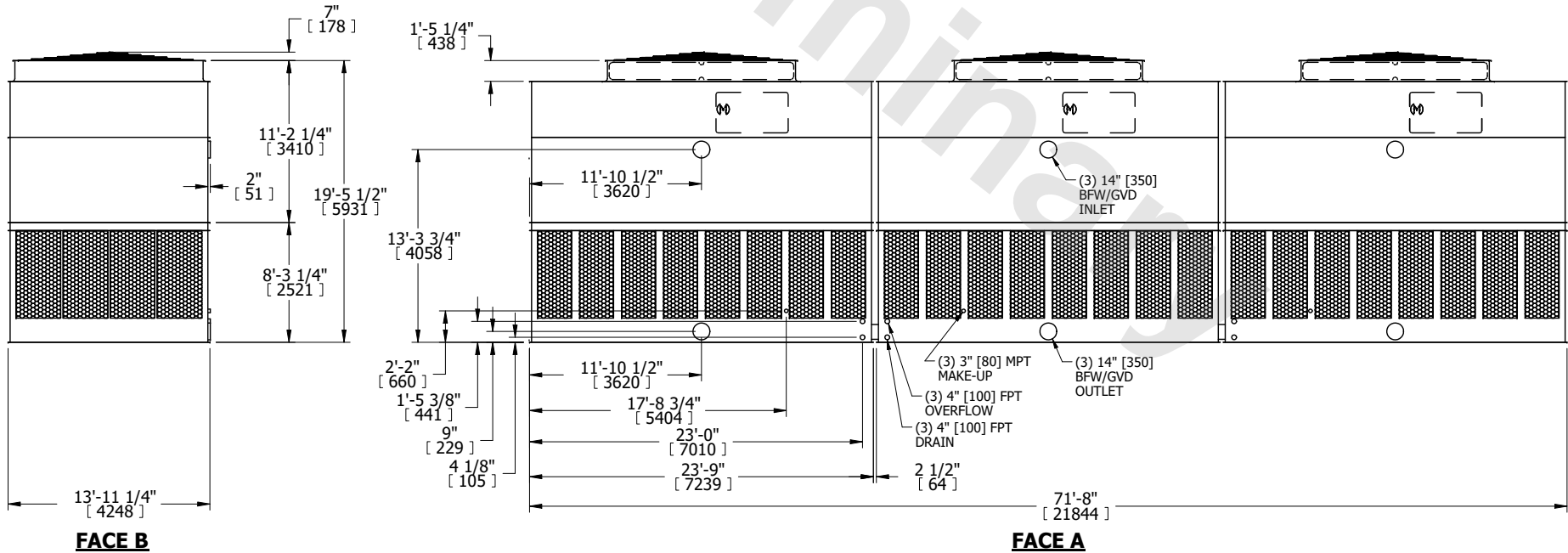
DWG. #	T4147248-DRA-ST	REV.	-
SERIAL #		DATE	3/17/2025

**NOTES:**

- (M)- FAN MOTOR LOCATION
- HEAVIEST SECTION IS UPPER SECTION
- MPT DENOTES MALE PIPE THREAD  
FPT DENOTES FEMALE PIPE THREAD  
BFW DENOTES BEVELED FOR WELDING  
GVD DENOTES GROOVED  
FLG DENOTES FLANGE  
PE DENOTES PLAIN END
- +UNIT WEIGHT DOES NOT INCLUDE ACCESSORIES (SEE ACCESSORY DRAWINGS)
- MAKE-UP WATER PRESSURE  
20 psi MIN [137 kPa], 50 psi MAX [344 kPa]
- 3/4" [19MM] DIA. MOUNTING HOLES.  
REFER TO RECOMMENDED STEEL SUPPORT DRAWING
- DIMENSIONS LISTED AS FOLLOWS:  
ENGLISH FT-IN  
[METRIC] [mm]



**PLAN VIEW**



SHIPPING WEIGHT	61800 lbs+ [28035] kg+
-----------------	------------------------

OPERATING WEIGHT	105990 lbs+ [48080] kg+
------------------	-------------------------

HEAVIEST SECTION WEIGHT	13420 lbs+ [6090] kg+
-------------------------	-----------------------

NO. OF SHIPPING SECTIONS	6
--------------------------	---

DRAWN BY:	MER
-----------	-----