

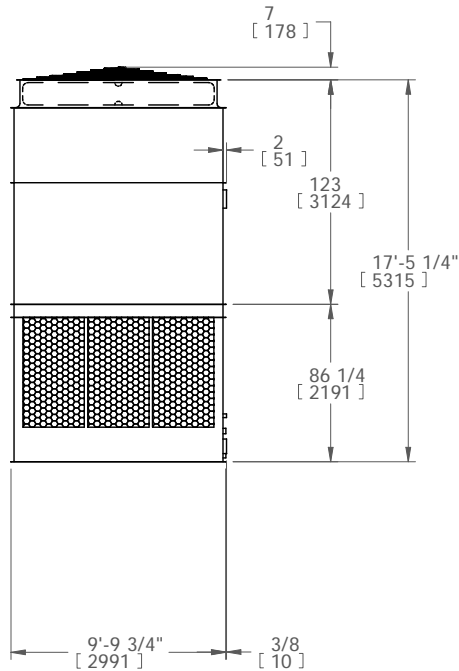
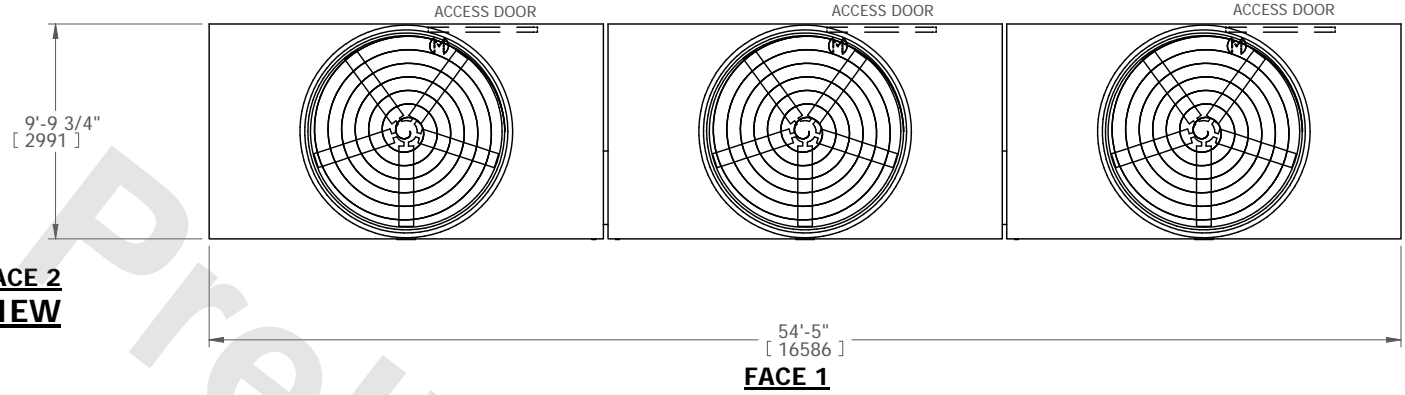
EVAPCO, INC.



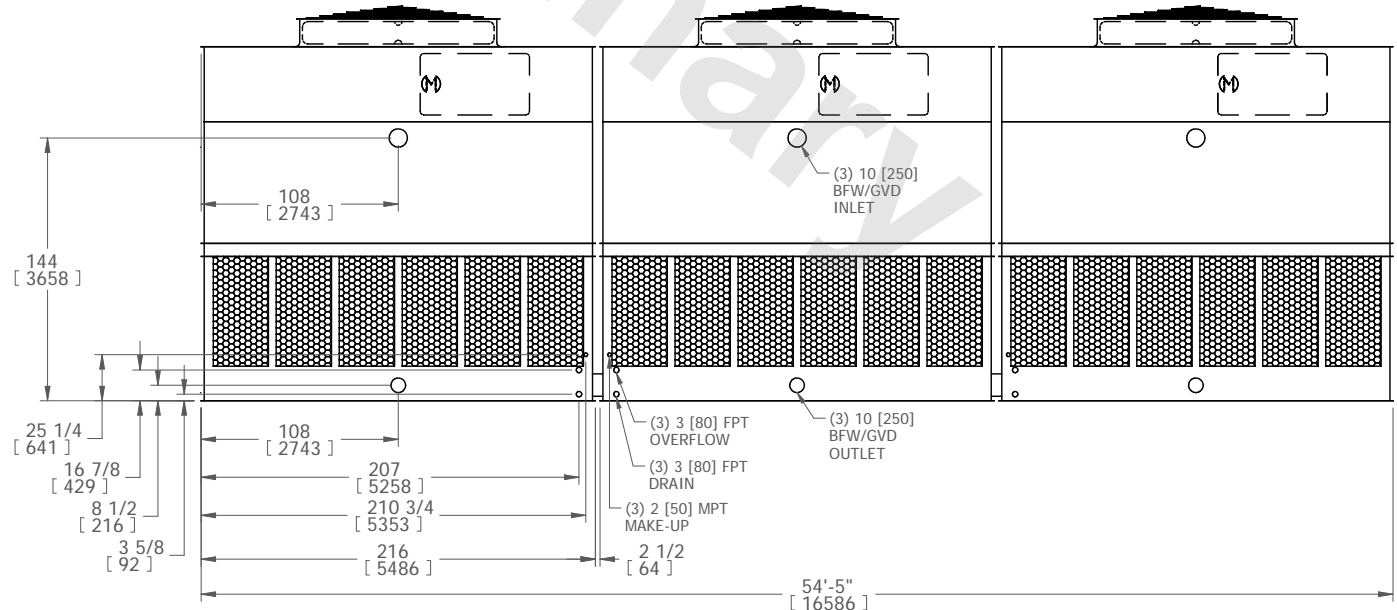
| | | | | | | |
|----------------------|-------------|--------|-----------------|------|-----------|----------|
| UNIT | MODEL # | SCALE | DWG. # | REV. | DATE | SERIAL # |
| COOLING TOWER | AT 310-4K54 | N.T.S. | T3TM5448-DRC-ST | - | 10/9/2024 | |

- NOTES:
- (M)- FAN MOTOR LOCATION
 - HEAVIEST SECTION IS UPPER SECTION
 - MPT DENOTES MALE PIPE THREAD
FPT DENOTES FEMALE PIPE THREAD
BFW DENOTES BEVELED FOR WELDING
 - +UNIT WEIGHT DOES NOT INCLUDE ACCESSORIES (SEE ACCESSORY DRAWINGS)
 - MAKE-UP WATER PRESSURE
20 psi MIN [137 kPa], 50 psi MAX [344 kPa]

**FACE 2
PLAN VIEW**



FACE 2



FACE 1

| | | | | | | | |
|-----------------|------------------------|------------------|------------------------|-------------------------|----------------------|--------------------------|---|
| SHIPPING WEIGHT | 32430 lbs+ [14710] kg+ | OPERATING WEIGHT | 57650 lbs+ [26150] kg+ | HEAVIEST SECTION WEIGHT | 7480 lbs+ [3393] kg+ | NO. OF SHIPPING SECTIONS | 6 |
|-----------------|------------------------|------------------|------------------------|-------------------------|----------------------|--------------------------|---|