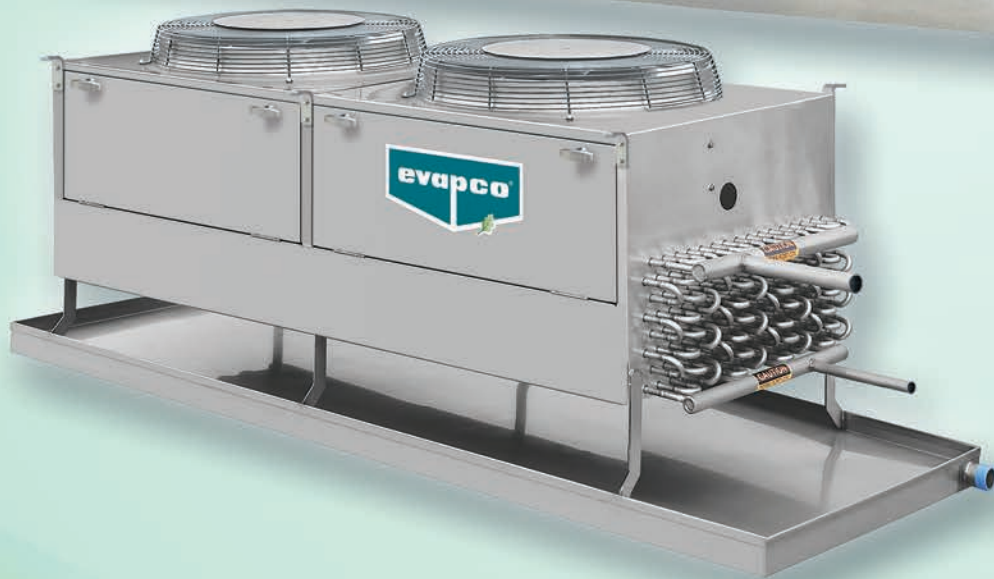


CEILING HUNG EVAPORATORS

Ultra-Hygienic **SSTME & SSTWE**

INDUSTRIAL EVAPORATORS



THE ULTIMATE SOLUTION IN
SANITARY CEILING HUNG EVAPORATORS



IARW International Association of
Refrigerated Warehouses

Member of
IIR
International Institute of
Ammonia Refrigeration
www.iir.org

AHRI Air-Conditioning, Heating,
and Refrigeration Institute



Ultra SSTME & SSTWE Series

EVAPCO products are recognized around the world for their innovative designs, proven thermal performance and quality construction. The

Ultra~SSTME and **Ultra~SSTWE Series** Industrial Evaporators are the latest in a long line of product innovations from EVAPCO designed to solve one of the most significant challenges food processors face today – **Hygiene**.

Food processors place great emphasis on their ability to effectively clean and sanitize the equipment located in process areas. Conventional evaporators can pose a unique challenge to cleaning personnel due to the design of key components, assembly methods used, and the limited access to the coil, inside the cabinet and the drain pan. In addition, their physical location above process equipment and work areas can make effective cleaning and sanitizing equally challenging.

This has led many processors to use rooftop mounted Critical Process Air (CPA) Systems as a means of reducing the number of evaporators in process areas. However, the use of rooftop air units is not always a feasible solution for existing facilities looking to expand or modernize their process areas. In these cases, it is necessary to use ceiling hung air units. Unfortunately, many of the evaporators available today have cabinet, casing and drain pan designs which pose unique challenges in terms of cleaning, sanitizing and general hygiene.

EVAPCO, a leading manufacturer of industrial evaporators, has been on the forefront of solving this increasingly difficult challenge for food processors.

Ultra Series Industrial Evaporators offer additional design features beyond those available in the standard SSTME and SSTWE product lines, making them the most hygienic ceiling-hung evaporators in the market.



Seal welded hanger brackets.

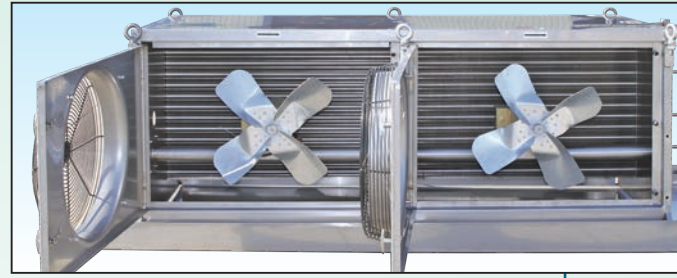


Fully welded, extended length drain pan with rounded corners.

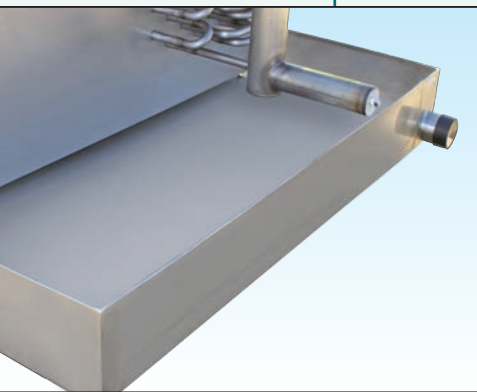
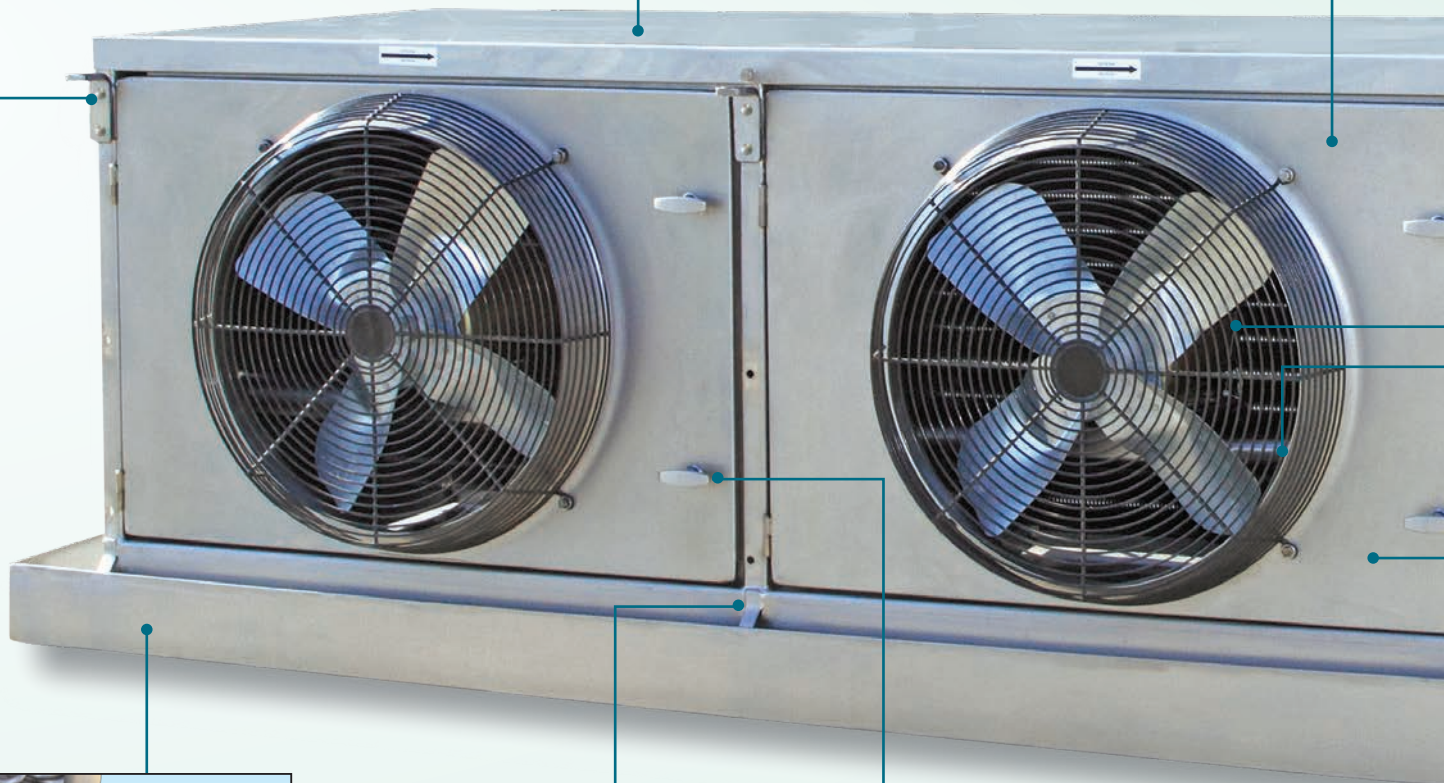
Design and Construction Features



All stainless steel construction with sloped top panel.



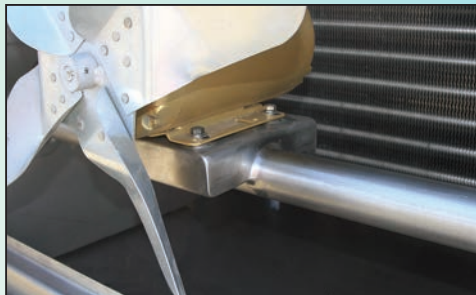
Full width access doors to each fan section.



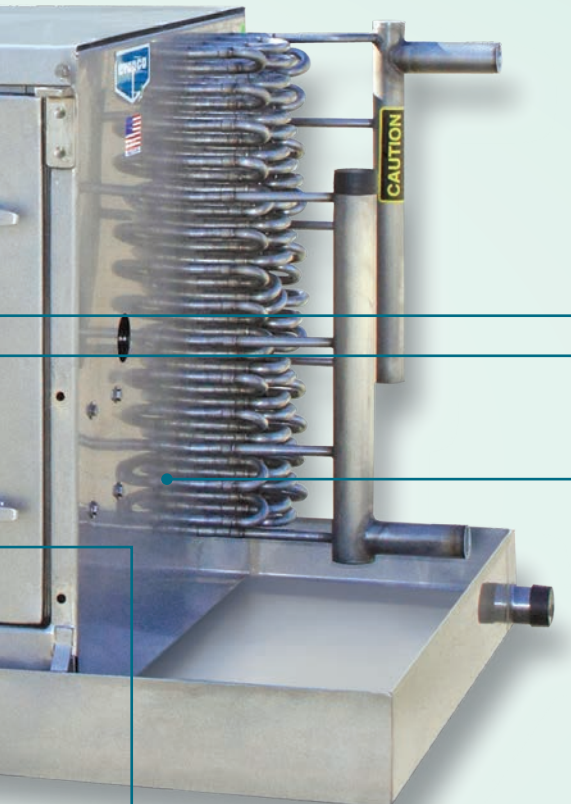
Fully welded pan hanger brackets.



Stainless steel door handles and one piece lift off stainless steel door hinges. One door design with fully welded corners.



Fully welded stainless motor mount with "spacer" between the motor and the support for complete cleaning



Shaft motor support with "spacer" for complete cleaning between the end bracket and the side panel.



One piece tube sheets eliminating fasteners and overlapping parts.



All fasteners have threads covered with acorn nuts.

Ceiling-Hung Evaporators

Ultra-Hygienic Series Design Features



- Available in U-SSTME unit coolers with AHRI Performance and Energy Certification.
- Available in U-SSTWE workroom configuration with Performance and Energy rated in accordance with AHRI 420 Standard.
- EVAPCO's exclusive high performance cooling coils are available with stainless steel tube and aluminum or stainless steel fins.
- Stainless steel casing as standard.
- Fully welded stainless steel drain pan with rounded corners and recessed drain connection for 100% drainage.
- Full width, fully welded hinged fan panels with stainless steel hinges and latches for each fan section.
- Removable, hinged fan panels to facilitate complete cleaning.
- Fully welded unit and pan hanger brackets.
- Sloped top panel with "sanitary" spacer eliminates metal to metal contact for thorough cleaning.
- All exposed fastener threads covered by "acorn nuts".
- Stainless Steel solid-shaft motor base with "sanitary" spacers for thorough cleaning.
- One piece stainless steel tube sheet eliminates overlapping panels and reduces the number of fasteners.
- Direct drive, wash-down duty, inverter-ready motors as standard. Stainless steel enclosed motors are available as an option.
- Air, electric, hot gas or water defrost options.

When the highest levels of hygiene and cleaning access is required on ceiling-hung evaporator applications, specify EVAPCO's Ultra-SSTME or Ultra-SSTWE Series of sanitary evaporators!



SUPERIOR PRODUCTS FROM SUPERIOR TECHNOLOGY

EVAPCO® QUALITY REFRIGERATION SYSTEM COMPONENTS

Evaporative Condensers



ATC-E / eco-ATC-A



PMC-E / eco-PMC



LSC-E



LRC

Rooftop Air Units



Critical Process Air Systems



Penthouse Evaporators



Make-Up Air Systems

Custom Recirculators & Vessels



MRP Recirculator Systems™

Evaporators –

Stainless Steel • Aluminum • Galvanized Steel



Unit Coolers



Workroom Units



Low Profile Coolers

EVAPCO, Inc. — World Headquarters & Research/Development Center

P.O. Box 1300 • Westminster, MD 21158 USA
410-756-2600 p • marketing@evapco.com • evapco.com

North America

EVAPCO, Inc.
World Headquarters

P.O. Box 1300
Westminster, MD 21158 USA
410-756-2600 p | 410-756-6450 f
marketing@evapco.com

EVAPCO East

5151 Allendale Lane
Taneytown, MD 21787 USA
410-756-2600 p | 410-756-6450 f
marketing@evapco.com

EVAPCO East

Key Building
Taneytown, MD USA
410-756-2600 p
marketing@evapco.com

EVAPCO Midwest

Greenup, IL USA
217-923-3431 p
evapcomw@evapcomw.com

EVAPCO West

Madera, CA USA
559-673-2207 p
contact@evapcowest.com

EVAPCO Iowa

Lake View, IA USA
712-657-3223 p

EVAPCO Iowa

Sales & Engineering
Medford, MN USA
507-446-8005 p
evapcomn@evapcomn.com

EVAPCO Newton

Newton, IL USA
618-783-3433 p
evapcomw@evapcomw.com

EVAPCOLD

Greenup, IL USA
217-923-3431 p
evapcomw@evapcomw.com

EVAPCO-BLCT Dry Cooling, Inc.
Bridgewater, NJ 08807 USA
908-379-2665 p
info@evapco-blct.com

EVAPCO-BLCT Dry Cooling, Inc.
Littleton, CO 80127 USA
908-379-2665 p
info@evapco-blct.com

EVAPCO Power México S. de R.L. de C.V.
Calle Iglesia No. 2, Torre E
Tizapan San Angel, Del. Alvaro Obregón
Ciudad de México, D.F. México 01090
+52 (55) 8421-9260 p
info@evapco-blct.com

Refrigeration Vessels & Systems Corporation

A wholly owned subsidiary of EVAPCO, Inc.
Bryan, TX USA
979-778-0095 p
rvs@rvscorp.com

EvapTech, Inc.

A wholly owned subsidiary of EVAPCO, Inc.
Edwardsville, KS USA
913-322-5165 p
marketing@evaptech.com

Tower Components, Inc.

A wholly owned subsidiary of EVAPCO, Inc.
Ramsour, NC USA
336-824-2102 p
mail@towercomponentsinc.com

EVAPCO Alcoi, Inc.

A wholly owned subsidiary of EVAPCO, Inc.
York, PA USA
717-347-7500 p
info@alcoi.net

Europe

EVAPCO Europe BVBA
European Headquarters
Heersterveldweg 19
Industrieterrein Oost
3700 Tongeren, Belgium
(32) 12-395029 p | (32) 12-238527 f
evapco.europe@evapco.be

EVAPCO Europe, S.r.l.

Milan, Italy
(39) 02-939-9041 p
evapcoeuropa@evapco.it

EVAPCO Europe, S.r.l.

Sondrio, Italy

EVAPCO Europe GmbH

Meerbusch, Germany
(49) 2159 6956 18 p
info@evapco.de

EVAPCO Air Solutions

A wholly owned subsidiary of EVAPCO, Inc.
Aabybro, Denmark
(45) 9824 4999 p
info@evapco.dk

EVAPCO Air Solutions GmbH

Garbsen, Germany
(49) 5137 93875-0 p
info@evapcoas.de

Evap Egypt Engineering Industries Co.

A licensed manufacturer of EVAPCO, Inc.
Nasr City, Cairo, Egypt
2 02 24022866 / 2 02 24044997 p
primacool@link.net / shady@primacool.net

EVAPCO Middle East DMCC

Dubai, United Arab Emirates
+971 4 448 7242 p
info@evapco.ae

EVAPCO S.A. (Pty.) Ltd.

A licensed manufacturer of EVAPCO, Inc.
Isando 1600, Republic of South Africa
(27) 11-392-6630 p
evapco@evapco.co.za

Asia/Pacific

EVAPCO Asia/Pacific Headquarters
1159 Luoning Road
Baoshan Industrial Zone
Shanghai 200949, P.R. China
(86) 21-6687-7786 p | (86) 21-6687-7008 f
marketing@evapcochina.com

EVAPCO (Shanghai) Refrigeration Equipment Co., Ltd.

Baoshan Industrial Zone Shanghai, P.R. China
(86) 21-6687-7786 p
marketing@evapcochina.com

Beijing EVAPCO Refrigeration Equipment Co., Ltd.

Huairou District Beijing, P.R. China
010-6166-7238 p
evapcobj@evapcochina.com

EVAPCO Air Cooling Systems (Jiaxing) Company, Ltd.

Building 10, 1133 Taoyuan Road,
Jiaxing, Zhejiang, China
(86) 573 83119379 p
info@evapcoacs.cn

EVAPCO Australia (Pty.) Ltd.

Riverstone NSW 2765, Australia
(61) 2 9627-3322 p
sales@evapco.com.au

EvapTech Asia Pacific Sdn. Bhd

A wholly owned subsidiary of EvapTech, Inc.
Puchong, Selangor, Malaysia
(60-3) 8070-7255 p
marketing-ap@evaptech.com

South America

EVAPCO Brasil

Equipamentos Industriais Ltda.
Al. Vênus, 151 – CEP: 13347-659
Indaiatuba – São Paulo – Brasil
(55+11) 5681-2000 p
vendas@evapco.com.br

Fan Technology Resources

Cruz das Almas – Indaiatuba
São Paulo, Brasil 13308-200
55 (11) 4025-1670 p
fantr@fantr.com



evapco.com